



Illustrated Parts Manual

Models

600S

600SJ

660SJ

SN 0300068000
TO SN 0300087000

P/N
3121178

February 28, 2014

ANSI



An Oshkosh Corporation Company

REVISION LOG

November 30, 2002 - Original Issue Of Manual (Edited to 0010574 Revision 18)
January 17, 2003 - Revised Manual (Edited to 0010574 Revision 29)
May 1, 2003 - Revised Manual (Edited to 0010574 Revision 34)
December 11, 2003 - Revised Manual (Edited to 0010574 Revision 44 & 0010603 Revision 1)
May 12, 2004 - Revised Manual (Edited to 0010603 Revision 6)
August 26, 2004 - Revised Manual (Edited to 0010603 Revision 17)
January 20, 2005 - Revised Manual (Edited to 0010603 Revision 19)
June 1, 2005 - Revised Manual (Edited to 0010603 Revision 35)
November 10, 2005 - Revised Manual
May 18, 2006 - Revised Manual
August 9, 2006 - Revised Manual
January 15, 2007 - Revised Manual
May 15, 2007 - Revised Manual
September 19, 2007 - Revised Manual
January 15, 2008 - Revised Manual
June 15, 2008 - Revised Manual
December 1, 2008 - Revised Manual
April 15, 2009 - Revised Manual
October 15, 2009 - Revised Manual
May 24, 2010 - Revised Manual
March 15, 2011 - Revised Manual
June 10, 2011 - Revised Manual
September 14, 2011 - Revised Manual
January 6, 2012 - Revised Manual
April 20, 2012 - Revised Manual
July 27, 2012 - Revised Manual
November 8, 2012 - Revised Manual
March 15, 2013 - Revised Manual
April 25, 2013 - Revised Manual
June 14, 2013 - Revised Manual
September 30, 2013 - Revised Manual
February 28, 2014 - Revised Manual

REVISION LOG

TABLE OF CONTENTS

FIGURE NO.	TITLE	PAGE NO.
SECTION 1 - FRAME1-1		
1-1	2WD FRONT AXLE & STEERING INSTALLATION (SN 0300068000 TO SN 0300075606)	1-2
1-2	2WD FRONT AXLE & STEERING INSTALLATION (SN 0300075606 TO SN 0300087000)	1-6
1-3	4WD FRONT AXLE & STEERING INSTALLATION (SN 0300068000 TO SN 0300075606)	1-10
1-4	4WD FRONT AXLE & STEERING INSTALLATION (SN 0300075606 TO SN 0300087000)	1-14
1-5	4WS REAR STEERING INSTALLATION (SN 0300068000 TO SN 0300075606)....	1-18
1-6	4WS REAR STEERING INSTALLATION (SN 0300075606 TO SN 0300087000)....	1-20
1-7	TIRE & WHEEL DRIVE INSTALLATIONS	1-22
1-8	DRIVE HUB ASSEMBLY (SN 0300068000 TO SN 0300075606)	1-26
1-9	DRIVE HUB ASSEMBLY (SN 0300075606 TO SN 0300087000)	1-28
1-10	DRIVE MOTOR ASSEMBLY (SN 0300068000 TO SN 0300075606)	1-32
1-11	DRIVE MOTOR ASSEMBLY (ORIGINAL EQUIPMENT) (SN 0300075606 TO SN 0300087000)	1-34
1-12	DRIVE MOTOR ASSEMBLY (SERVICE REPLACEMENT)	1-38
1-13	DRIVE VALVES & SHIELDS INSTALLATION (FRAME MOUNTED) (SN 0300068000 TO SN 0300075606)	1-42
1-14	DRIVE VALVES & SHIELDS INSTALLATION (FRAME MOUNTED) (SN 0300075606 TO SN 0300087000)	1-44
1-15	TOW PACKAGE INSTALLATION (OPTIONAL) (SN 0300068000 TO SN 0300075606)	1-48
1-16	TOW PACKAGE INSTALLATION (OPTIONAL) (SN 0300075606 TO SN 0300087000)	1-52
SECTION 2 - TURNTABLE2-1		
2-1	CONTROL VALVES INSTALLATIONS	2-2
2-2	MAIN CONTROL VALVE ASSEMBLY	2-8
2-3	ACCESSORY VALVE ASSEMBLY	2-12
2-4	SWING DRIVE, TURNTABLE BEARING & LOCK INSTALLATIONS	2-14
2-5	SWING HUB ASSEMBLY	2-16
2-6	SWING MOTOR ASSEMBLIES	2-18
2-7	CATERPILLAR ENGINE INSTALLATION	2-22
2-8	DEUTZ ENGINE INSTALLATION (SN 0300068000 TO SN 0300077490)	2-30
2-9	DEUTZ ENGINE INSTALLATION (SN 0300077490 TO SN 0300087000)	2-36
2-10	FORD ENGINE INSTALLATION (SN 0300068000 TO SN 0300079619)	2-44
2-11	DUAL FUEL INSTALLATIONS (FORD MACHINE OPTION)	2-52
2-12	FORD ENGINE INSTALLATION (SN 0300079619 TO SN 0300087000)	2-54
2-13	PISTON PUMP ASSEMBLY (SN 0300068000 TO SN 0300075606)	2-62
2-14	PISTON PUMP ASSEMBLY (SN 0300075606 TO SN 0300087000)	2-68
2-15	GEAR PUMP ASSEMBLY	2-74
2-16	TANK INSTALLATIONS	2-76
2-17	ROTARY COUPLING INSTALLATION (SN 0300068000 TO SN 0300075606)	2-80
2-18	ROTARY COUPLING INSTALLATION (SN 0300075606 TO SN 0300087000)	2-82
2-19	GROUND CONTROL BOX ASSEMBLY	2-86
2-20	ELECTRICAL OPTIONS INSTALLATION (TURNTABLE MOUNTED)	2-90
2-21	ENGINE TRAY JACK INSTALLATION (OPTIONAL)	2-94
2-22	HOODS & LIFTING PLATE INSTALLATIONS	2-96
2-23	2500W GENERATOR INSTALLATION - CATERPILLAR MACHINES (OPTIONAL) ..	2-102

TABLE OF CONTENTS

FIGURE NO.	TITLE	PAGE NO.
2-24	2500W GENERATOR INSTALLATION - DEUTZ MACHINES (OPTIONAL)	2-106
2-25	2500W GENERATOR INSTALLATION - FORD MACHINES (OPTIONAL) (SN 0300068000 TO SN 0300079619)	2-110
2-26	2500W GENERATOR INSTALLATION - FORD MACHINES (OPTIONAL) (SN 0300079619 TO SN 0300087000)	2-114
2-27	7500W SKYPOWER GENERATOR INSTALLATION - CATERPILLAR & DEUTZ ENGINES	2-118
2-28	7500W SKYPOWER GENERATOR INSTALLATION - FORD ENGINES.	2-124
SECTION 3 - BOOM.		3-1
3-1	BOOM INSTALLATION - 600S	3-2
3-2	BOOM INSTALLATION - 600SJ & 660SJ	3-6
3-3	MAIN BOOM ASSEMBLIES	3-12
3-4	ROTATOR ASSEMBLIES (FRONT ENTRY PLATFORM)	3-16
3-5	ROTATOR ASSEMBLIES (SIDE ENTRY PLATFORM)	3-20
3-6	POWER TRACK INSTALLATIONS.	3-22
SECTION 4 - PLATFORM.		4-1
4-1	PLATFORM COMPONENTS INSTALLATION (FRONT ENTRY PLATFORM)	4-2
4-2	PLATFORM COMPONENTS INSTALLATION (SIDE ENTRY PLATFORM)	4-6
4-3	PLATFORM COMPONENTS INSTALLATION (FALL ARREST PLATFORM)	4-10
4-4	PLATFORM CONSOLE ASSEMBLY	4-12
4-5	CONTROLLER ASSEMBLY (LIFT AND SWING)	4-18
4-6	CONTROLLER ASSEMBLY (DRIVE AND STEER)	4-22
4-7	SOFT TOUCH SYSTEM INSTALLATION (OPTIONAL)	4-26
4-8	PLATFORM PADDING INSTALLATION (OPTIONAL) (SIDE ENTRY PLATFORM)	4-28
SECTION 5 - CYLINDER		5-1
5-1	AXLE LOCKOUT CYLINDER ASSEMBLY (SN 0300068000 TO SN 0300075606)	5-2
5-2	AXLE LOCKOUT CYLINDER ASSEMBLY (SN 0300075606 TO SN 0300087000)	5-4
5-3	LEVEL CYLINDER ASSEMBLY - 600S	5-6
5-4	LEVEL CYLINDER ASSEMBLY - 600SJ & 660SJ	5-8
5-5	MAIN LIFT CYLINDER ASSEMBLY	5-10
5-6	ARTICULATING JIB LIFT CYLINDER ASSEMBLY - 600SJ & 660SJ	5-14
5-7	MASTER CYLINDER ASSEMBLIES.	5-16
5-8	STEER CYLINDER ASSEMBLY	5-20
5-9	TELESCOPE CYLINDER ASSEMBLIES	5-22
5-10	CYLINDER BELLOWS INSTALLATION (OPTIONAL)	5-24
SECTION 6 - HYDRAULIC		6-1
6-1	HYDRAULIC DIAGRAM - DRIVE & STEER (2WD/2WS)	6-2
6-2	HYDRAULIC DIAGRAM - DRIVE & STEER (4WD/2WS) (SN 0300068000 TO SN 0300075606)	6-6
6-3	HYDRAULIC DIAGRAM - DRIVE & STEER (4WD/2WS) (SN 0300075606 TO SN 0300087000)	6-10
6-4	HYDRAULIC DIAGRAM - OSCILLATING AXLE.	6-12
6-5	HYDRAULIC DIAGRAM - STANDARD (SN 0300068000 TO SN 0300075606).	6-14
6-6	HYDRAULIC DIAGRAM - STANDARD (SN 0300075606 TO SN 0300087000).	6-18
6-7	HYDRAULIC DIAGRAM LIST	6-22

TABLE OF CONTENTS

FIGURE NO.	TITLE	PAGE NO.
SECTION 7 - ELECTRICAL		7-1
7-1	ELECTRICAL DIAGRAM LIST	7-2
7-2	HARNESS COMPONENTS INSTALLATION	7-4
SECTION 8 - DECALS		8-1
8-1	DECAL INSTALLATION (ANSI SPEC)	8-2
8-2	DECAL INSTALLATION (COUNTRY SPEC)	8-6
SECTION 9 - RECOMMENDED SERVICE PARTS STOCK		9-1
SECTION 10 - SPECIAL OPTIONS		10-1
SECTION 11 - PARTS NUMBER INDEX		11-1

TABLE OF CONTENTS

FIGURE NO.

TITLE

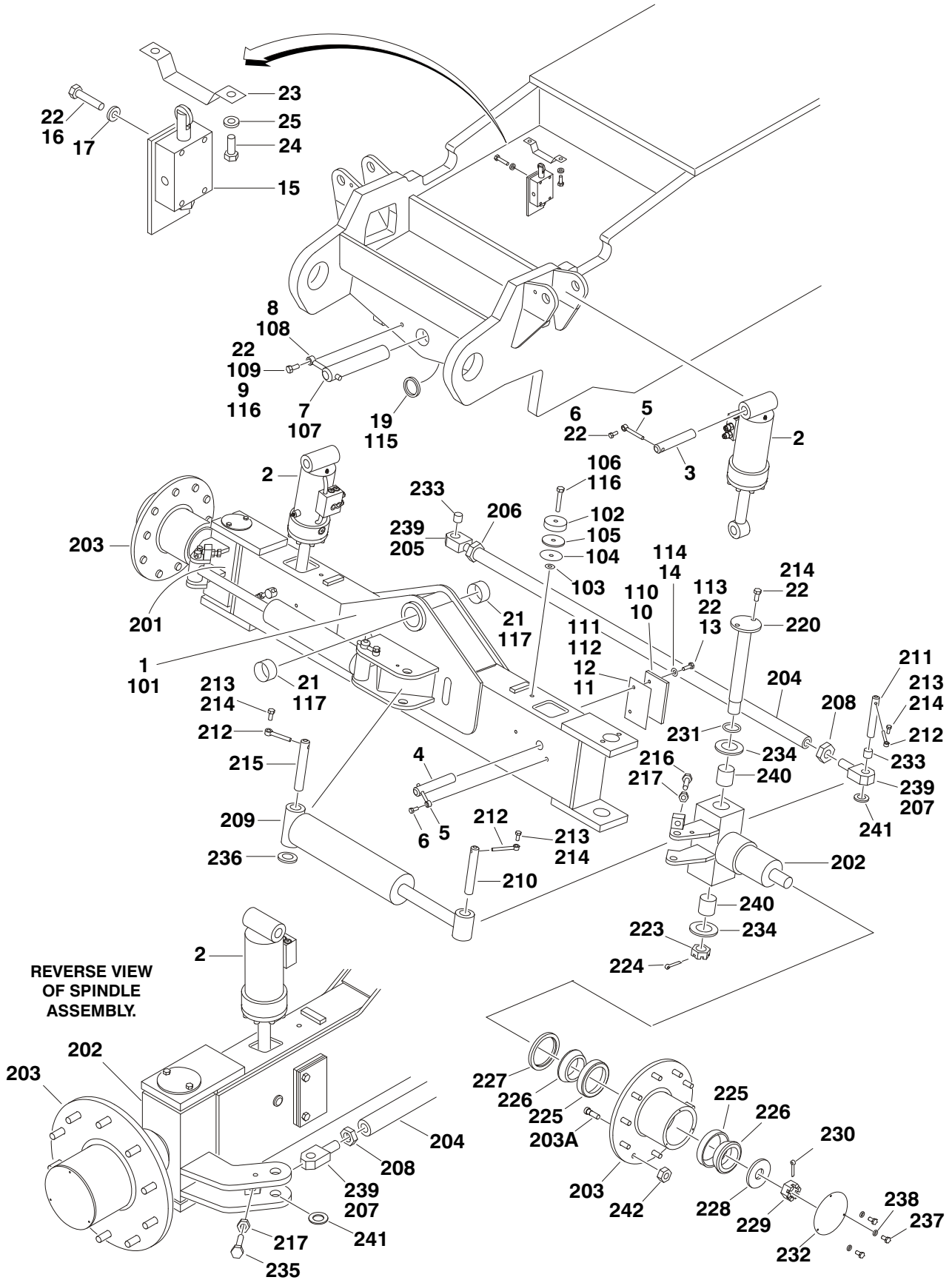
PAGE NO.

SECTION 1

FRAME

SECTION 1 FRAME

FIGURE 1-1. 2WD FRONT AXLE & STEERING INSTALLATION (SN 0300068000 TO SN 0300075606)



SECTION 1 FRAME

FIGURE 1-1. 2WD FRONT AXLE & STEERING INSTALLATION (SN 0300068000 TO SN 0300075606)

ITEM #	PART NUMBER	QTY.	DESCRIPTION	REV.
	0256394	Ref	AXLE INSTALLATIONS - OSCILLATING	5
1	4844777	1	Axle Weldment	
2	1683078	2	Lockout Cylinder Assembly (See CYLINDER SECTION for Breakdown)	
3	3422333	2	Pin, Pivot	
4	3422332	2	Pin, Cylinder	
5	3841143	4	Keeper, Pin	
6	0641608	4	Bolt 3/8in-16NC x 1in	
7	3422591	1	Pin, Axle Pivot	
8	3841258	1	Keeper, Pin	
9	0642012	1	Bolt 5/8in-11NC x 1-1/2in	
10	3538047	2	Plate, Wear	
11	4070878	AR	Shim 1/16in	
12	4070879	AR	Shim 1/8in	
13	0641612	4	Bolt 3/8in-16NC x 1-1/2in	
14	4711600	4	Flatwasher 3/8in Thin	
15	4640871	1	Valve, Cam	
	7012693	1	Seal Kit - 4640871 Valve	
	7002840	1	Pin Removal Tool	
16	0641414	4	Bolt 1/4in-20NC x 1-3/4in	
17	4711400	4	Flatwasher 1/4in Thin	
18	Not Used			
19	4740158	1	Thrustwasher	
20	Not Used			
21	0961950	2	Bushing, Garmax	
22	0100011	AR	Compound, Locking	
23	1100086	1	Cam	
24	0641814	2	Bolt 1/2in-13NC x 1-3/4in	
25	4751800	AR	Flatwasher 1/2in Regular	
	0256621	Ref	AXLE INSTALLATIONS - FIXED	4
101	4844777	1	Axle Weldment	
102	3539877	2	Plate, Stop	
103	3539878	2	Plate, Stop	
104	4070944	AR	Shim (.06)	
105	4070945	AR	Shim (.25)	
106	3931840	2	Screw 1/2in-13NC x 2-1/2in	
107	3422591	1	Pin, Pivot	
108	3841258	1	Keeper, Pin	
109	0642012	1	Bolt 5/8in-11NC x 1-1/2in	
110	3538047	2	Plate, Wear	
111	4070878	AR	Shim 1/16in	
112	4070879	AR	Shim 1/8in	
113	0641608	4	Bolt 3/8in-16NC x 1in	
114	4711600	4	Flatwasher 3/8in Thin	
115	4740158	1	Thrustwasher	

SECTION 1 FRAME

FIGURE 1-1. 2WD FRONT AXLE & STEERING INSTALLATION (SN 0300068000 TO SN 0300075606) (CONTINUED)

ITEM #	PART NUMBER	QTY.	DESCRIPTION	REV.
116	0100019	AR	Compound, Locking	
117	0961950	2	Bushing, Garmax	
	0257732	Ref	STEERING INSTALLATION	2/A
201	4130353	1	Spindle - Right Side	
202	4130354	1	Spindle - Left Side	
203	2780188	2	Hub	
203A	0630078	20	Stud, Wheel (10 Per Hub)	
204	3841236	1	Tie-Rod	
205	0561138	1	End, Tie-Rod (Right Side/RH Threads)	
206	3323002	1	Nut, Jam 1-1/4in-12NF (RH Threads)	
207	0561139	1	End, Tie-Rod (Left Side/LH Threads)	
208	3300229	1	Nut, Jam 1-1/4in-12NF (LH Threads)	
209	1683208	2	Steer Cylinder Assembly (See CYLINDER SECTION for Breakdown)	
210	3422351	2	Pin, Steer Cylinder	
211	3422352	2	Pin, Tie-Rod	
212	3841143	6	Shaft, Keeper	
213	0641608	6	Bolt 3/8in-16NC x 1in	
214	0100011	AR	Compound, Locking	
215	3422326	2	Pin, Steer Cylinder	
216	0682014	2	Bolt 5/8in-11NC x 1-3/4in (Grade 8)	
217	3312002	4	Nut, Jam 5/8in-11NC	
218 to 219	Not Used			
220	3422335	2	Kingpin	
221	Not Used			
222	0681610	4	Bolt 3/8in-16NC x 1-1/4in (Grade 8)	
223	3324203	2	Nut, Slotted 2in-4 1/2NF	
224	3451012	2	Pin, Cotter 5/8in x 3in	
225	0440171	4	Cup, Bearing - Inner	
226	0440170	4	Cone, Bearing - Inner	
227	3960343	2	Seal, Grease	
228	4740283	2	Flatwasher, Hardened	
229	3323403	2	Nut, Slotted 1-1/2in-6NF	
230	3451010	2	Pin, Cotter 5/8in x 2-1/2in	
231	3780187	4	O-Ring	
232	1120304	2	Cap, Hub	
233	0961977	2	Bearing	
234		AR	Thrustwasher Options:	
	4740463	2	Top	
	4740256	2	Bottom	
235	0682012	2	Bolt 5/8in-11NC x 1-1/2in (Grade 8)	
236	4740111	4	Thrustwasher	
237	0721003	6	Bolt #10-24NC x 3/8in	
238	4761000	6	Lockwasher #10	
239	0100063	AR	Loctite RC609	
240	0962036	4	Bushing, Bronze	
241	4740067	2	Thrustwasher	

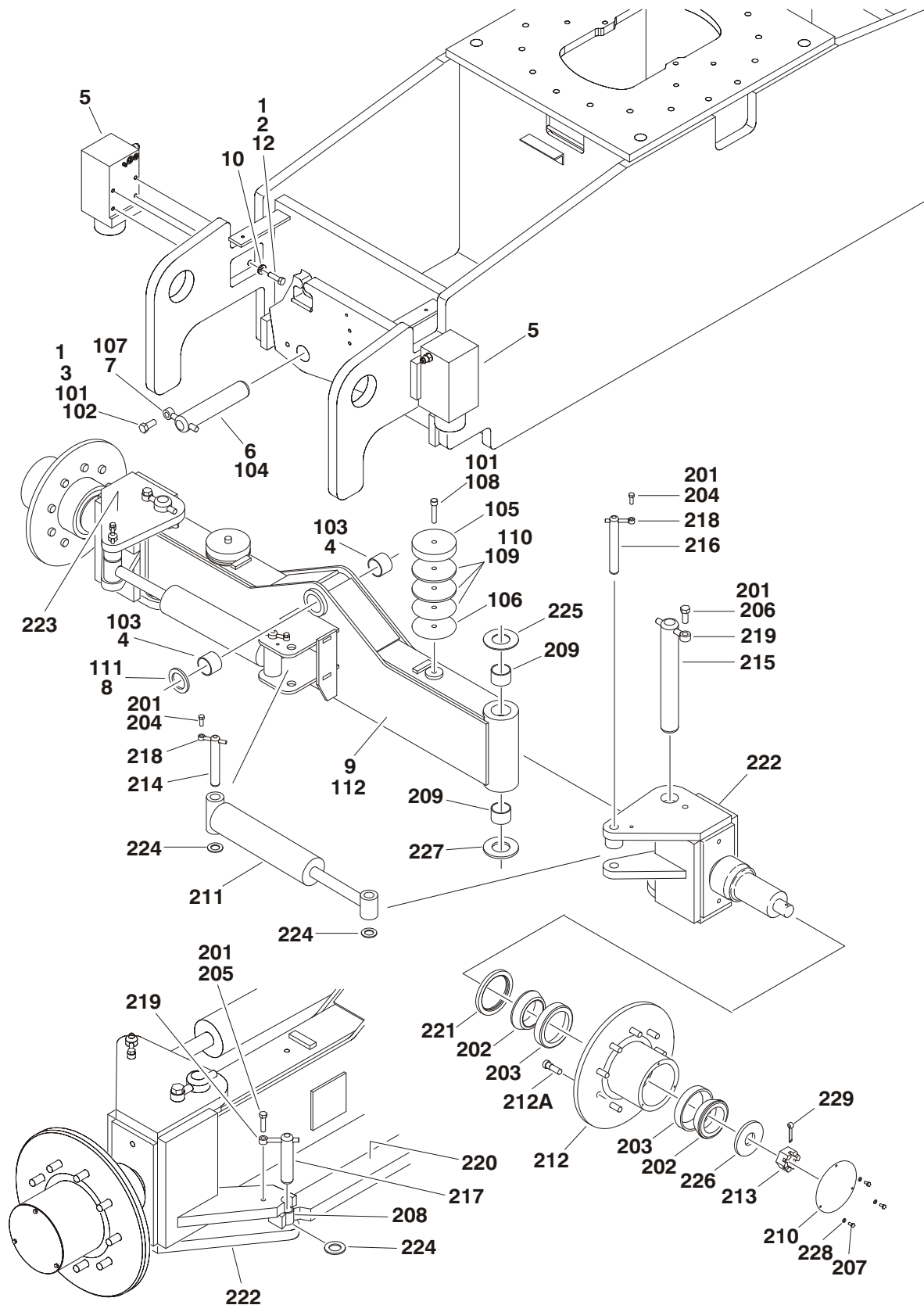
SECTION 1 FRAME

FIGURE 1-1. 2WD FRONT AXLE & STEERING INSTALLATION (SN 0300068000 TO SN 0300075606) (CONTINUED)

ITEM #	PART NUMBER	QTY.	DESCRIPTION	REV.
242	3300007	20	Lugnut (10 per wheel)	

SECTION 1 FRAME

FIGURE 1-2. 2WD FRONT AXLE & STEERING INSTALLATION (SN 0300075606 TO SN 0300087000)



SECTION 1 FRAME

FIGURE 1-2. 2WD FRONT AXLE & STEERING INSTALLATION (SN 0300075606 TO SN 0300087000)

ITEM #	PART NUMBER	QTY.	DESCRIPTION	REV.
		Ref	AXLE INSTALLATIONS - OSCILLATING	
	0273081	Ref	Without Tow Package	E
	0273379	Ref	With Tow Package	C
1	0100011	AR	Compound, Locking	
2	0641814	8	Bolt 1/2in-13NC x 1-3/4in	
3	0642012	1	Bolt 5/8in-11NC x 1-1/2in	
4	0961950	2	Bearing	
5	1684280	2	Lockout Cylinder Assembly (See CYLINDER SECTION for Breakdown)	
6	3422592	1	Pin, Pivot	
7	3841258	1	Keeper, Pin	
8	4740158	1	Thrustwasher	
9		1	Axle Weldment Options:	
	4846814		Without Tow Package	
	4846934		With Tow Package	
10	4891800	8	Flatwasher 1/2in Hardened	
11	Not Used			
12	0100038	AR	Primer #7471	
	0273226	Ref	AXLE INSTALLATIONS - FIXED	A
101	0100011	AR	Compound, Locking	
102	0642012	1	Bolt 5/8in-11NC x 1-1/2in	
103	0961950	2	Bearing	
104	3422592	1	Pin, Pivot	
105	3539877	2	Plate, Stop	
106	3539878	2	Plate, Stop	
107	3841258	1	Keeper, Pin	
108	3931840	2	Screw 1/2in-13NC x 2-1/2in	
109	4070944	4	Shim (.06)	
110	4070945	4	Shim (.25)	
111	4740158	1	Thrustwasher	
112		1	Axle Weldment Options:	
	4846814		Without Tow Package	
	See Note		With Tow Package (Note: Not Available for Purchase.)	
		Ref	STEERING INSTALLATIONS	
	0273150	Ref	Without Tow Package	B
	0273422	Ref	With Tow Package	A
201	0100011	AR	Compound, Locking	
202	0440170	4	Cone, Bearing	
203	0440171	4	Cup, Bearing	
204	0641608	4	Bolt 3/8in-16NC x 1in	
205	0641612	2	Bolt 3/8in-16NC x 1-1/2in	
206	0642012	2	Bolt 5/8in-11NC x 1-1/2in	
207	0721003	6	Bolt #10-24NC x 3/8in	

SECTION 1 FRAME

FIGURE 1-2. 2WD FRONT AXLE & STEERING INSTALLATION (SN 0300075606 TO SN 0300087000) (CONTINUED)

ITEM #	PART NUMBER	QTY.	DESCRIPTION	REV.
208	0961977	2	Bushing	
209	0962131	4	Bearing	
210	1120304	2	Cap, Hub	
211	1683208	2	Steer Cylinder Assembly (See CYLINDER SECTION for Breakdown)	
212	2780271	2	Hub	
212A	0630490	18	Stud, Wheel (9 Per Hub)	
213	3324203	2	Nut, Slotted 2in-4 1/2NF	
214	3422326	2	Pin, Steer Cylinder	
215	3422900	2	Kingpin	
216		AR	Pin, Steer Cylinder Options:	
	3422902	2	Machines Without Tow Package	
	3422902	1	Machines With Tow Package (Left Side without Tow Link)	
	3422567	1	Machines With Tow Package (Right Side with Tow Link)	
217	3422903	2	Pin, Tie-Rod	
218	3841143	6	Shaft, Keeper	
219	3841258	2	Shaft, Keeper	
220	3841510	1	Tie-Rod	
221	3960343	2	Seal, Grease	
222	4130396	1	Spindle - Left Side	
223		1	Spindle - Right Side Options:	
	4130397	2	Machines Without Tow Package	
	4130400	1	Machines With Tow Package	
224	4740111	6	Thrustwasher	
225	4740256	2	Thrustwasher	
226	4740283	2	Flatwasher, Hardened	
227	4740263	2	Thrustwasher	
228	4761000	6	Lockwasher #10	
229	3451010	2	Pin, Cotter 5/8in x 2-1/2in	

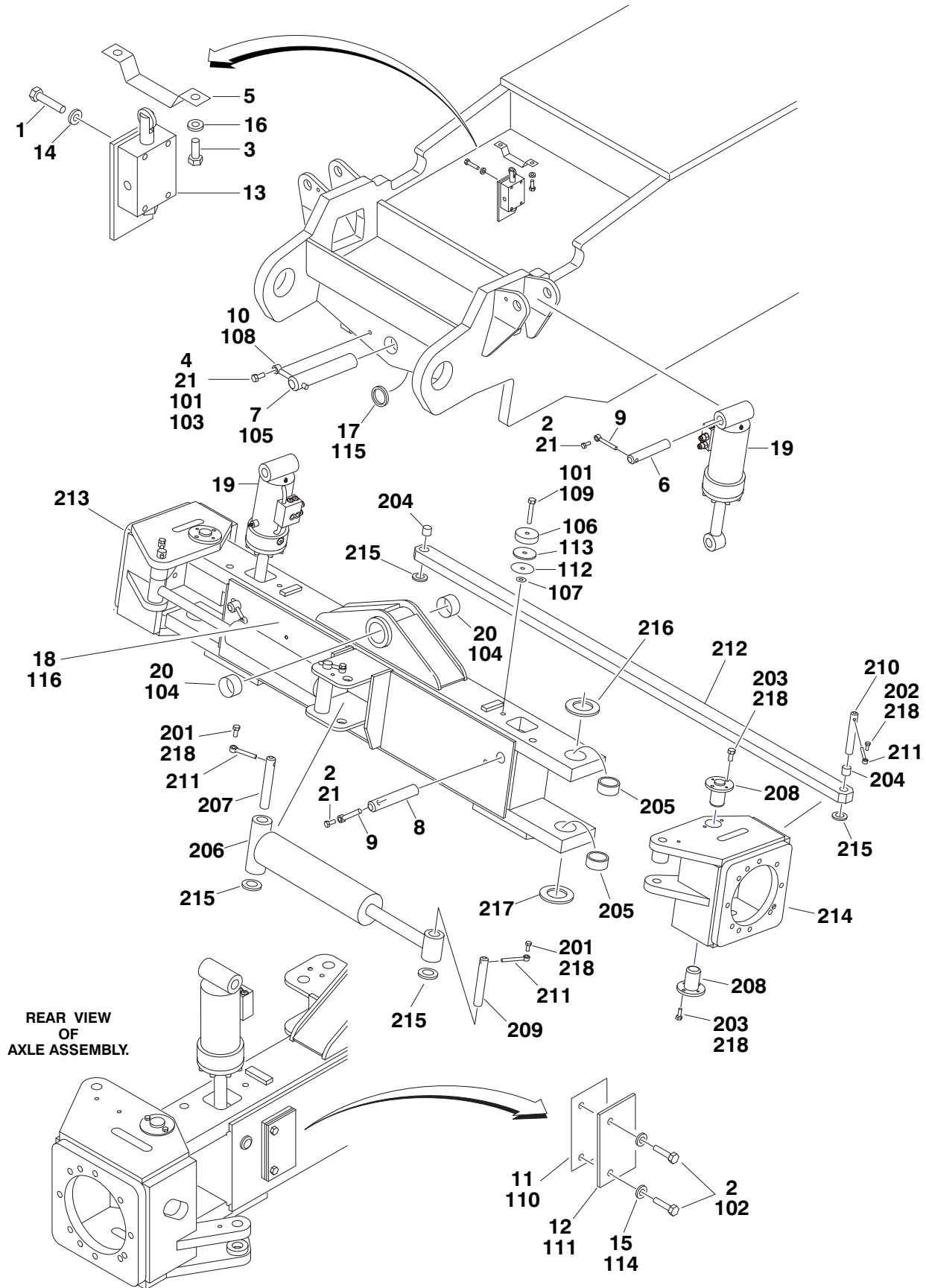
SECTION 1 FRAME

FIGURE 1-2. 2WD FRONT AXLE & STEERING INSTALLATION (SN 0300075606 TO SN 0300087000) (CONTINUED)

ITEM #	PART NUMBER	QTY.	DESCRIPTION	REV.

SECTION 1 FRAME

FIGURE 1-3. 4WD FRONT AXLE & STEERING INSTALLATION (SN 0300068000 TO SN 0300075606)



SECTION 1 FRAME

FIGURE 1-3. 4WD FRONT AXLE & STEERING INSTALLATION (SN 0300068000 TO SN 0300075606)

ITEM #	PART NUMBER	QTY.	DESCRIPTION	REV.
		Ref	FRAME OPTIONS:	
	2360376	1	Frame Weldment - 600S - 2WS	
	2360415	1	Frame Weldment - 600SJ - 2WS	
	2360414	1	Frame Weldment - 660SJ - 2WS	
	2360451	1	Frame Weldment - 600S - 4WS	
	2360453	1	Frame Weldment - 600SJ - 4WS	
	2360452	1	Frame Weldment - 660SJ - 4WS	
	0271003	Ref	AXLE INSTALLATIONS - OSCILLATING	B
1	0641414	4	Bolt 1/4in-20NC x 1-3/4in	
2	0641608	8	Bolt 3/8in-16NC x 1in	
3	0641814	2	Bolt 1/2in-13NC x 1-3/4in	
4	0642012	1	Bolt 5/8in-11NC x 1-1/2in	
5	1100086	1	Cam	
6	3422333	2	Pin, Pivot	
7	3422591	1	Pin, Axle Pivot	
8	3422904	2	Pin, Cylinder	
9	3841143	4	Keeper, Pin	
10	3841258	1	Keeper, Pin	
11	4070878	2	Shim 1/16in	
12	4070879	2	Shim 1/8in	
13	4640871	1	Valve, Cam	
	7012693	1	Seal Kit - 4640871 Valve	
	7002840	1	Pin Removal Tool	
14	4711400	4	Flatwasher 1/4in Thin	
15	4711600	4	Flatwasher 3/8in Thin	
16	4711800	4	Flatwasher 1/2in Thin	
17	4740158	1	Thrustwasher	
18	4846288	1	Axle Weldment	
19	1683078	2	Lockout Cylinder Assembly (See CYLINDER SECTION for Breakdown)	
20	0961950	2	Bushing, Composite	
21	0100011	AR	Compound, Locking	
	0271004	Ref	AXLE INSTALLATIONS - FIXED	A
101	0100011	AR	Compound, Locking	
102	0641608	4	Bolt 3/8in-16NC x 1in	
103	0642012	1	Bolt 5/8in-11NC x 1-1/2in	
104	0961950	2	Bushing, Composite	
105	3422591	1	Pin, Pivot	
106	3539877	2	Plate, Stop	
107	3539878	2	Plate, Stop	
108	3841258	1	Keeper, Pin	
109	3931840	2	Screw 1/2in-13NC x 2-1/2in	
110	4070878	2	Shim 1/16in	
111	4070879	2	Shim 1/8in	

SECTION 1 FRAME

FIGURE 1-3. 4WD FRONT AXLE & STEERING INSTALLATION (SN 0300068000 TO SN 0300075606) (CONTINUED)

ITEM #	PART NUMBER	QTY.	DESCRIPTION	REV.
112	4070944	AR	Shim (.06)	
113	4070945	AR	Shim (.25)	
114	4711600	4	Flatwasher 3/8in Thin	
115	4740158	1	Thrustwasher	
116	4846288	1	Axle Weldment	
	0270868	Ref	STEERING INSTALLATION	A
201	0641608	4	Bolt 3/8in-16NC x 1in	
202	0641612	2	Bolt 3/8in-16NC x 1-1/2in	
203	0681610	8	Bolt 3/8in-16NC x 1-1/4in (Grade 8)	
204	0961977	2	Bearing	
205	0962131	4	Bushing, Composite	
206	1683208	2	Steer Cylinder Assembly (See CYLINDER SECTION for Breakdown)	
207	3422326	2	Pin	
208	3422753	4	Kingpin	
209	3422902	2	Pin, Steer Cylinder	
210	3422903	2	Pin	
211	3841143	6	Shaft, Keeper	
212	3841510	1	Tie-Rod	
213	4130381	1	Spindle - Right Side	
214	4130382	1	Spindle - Left Side	
215	4740111	6	Thrustwasher	
216	4740256	2	Thrustwasher	
217	4740463	2	Thrustwasher	
218	0100011	AR	Compound, Locking	

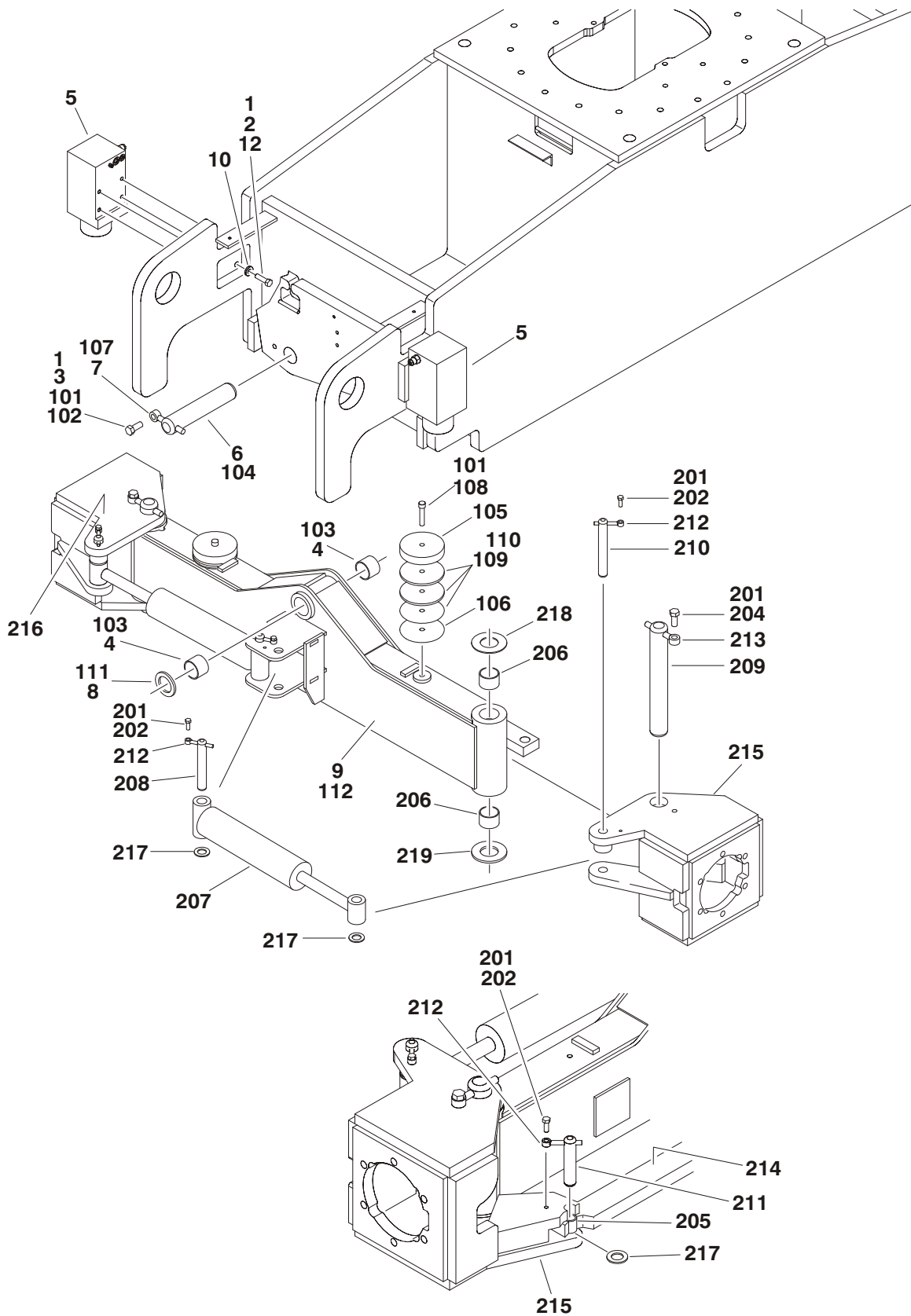
SECTION 1 FRAME

FIGURE 1-3. 4WD FRONT AXLE & STEERING INSTALLATION (SN 0300068000 TO SN 0300075606) (CONTINUED)

ITEM #	PART NUMBER	QTY.	DESCRIPTION	REV.

SECTION 1 FRAME

FIGURE 1-4. 4WD FRONT AXLE & STEERING INSTALLATION (SN 0300075606 TO SN 0300087000)



SECTION 1 FRAME

FIGURE 1-4. 4WD FRONT AXLE & STEERING INSTALLATION (SN 0300075606 TO SN 0300087000)

ITEM #	PART NUMBER	QTY.	DESCRIPTION	REV.
		Ref	FRAME OPTIONS:	
	2360615	1	Frame Weldment - 600S - 2WS	
	2360623	1	Frame Weldment - 600SJ - 2WS	
	2360624	1	Frame Weldment - 660SJ - 2WS	
	2360634	1	Frame Weldment - 600S - 4WS	
	2360635	1	Frame Weldment - 600SJ - 4WS	
	2360636	1	Frame Weldment - 660SJ - 4WS	
		Ref	AXLE INSTALLATIONS - OSCILLATING	
	0273081	Ref	Without Tow Package	E
	0273379	Ref	With Tow Package	C
1	0100011	AR	Compound, Locking	
2	0641814	8	Bolt 1/2in-13NC x 1-3/4in	
3	0642012	1	Bolt 5/8in-11NC x 1-1/2in	
4	0961950	2	Bearing	
5	1684280	2	Lockout Cylinder Assembly (See CYLINDER SECTION for Breakdown)	
6	3422592	1	Pin, Pivot	
7	3841258	1	Keeper, Pin	
8	4740158	1	Thrustwasher	
9		1	Axle Weldment Options:	
	4846814		Without Tow Package	
	4846934		With Tow Package	
10	4891800	8	Flatwasher 1/2in Hardened	
11	Not Used			
12	0100038	AR	Primer	
	0273226	Ref	AXLE INSTALLATIONS - FIXED	A
101	0100011	AR	Compound, Locking	
102	0642012	1	Bolt 5/8in-11NC x 1-1/2in	
103	0961950	2	Bearing	
104	3422592	1	Pin, Pivot	
105	3539877	2	Plate, Stop	
106	3539878	2	Plate, Stop	
107	3841258	1	Keeper, Pin	
108	3931840	2	Screw 1/2in-13NC x 2-1/2in	
109	4070944	4	Shim (.06)	
110	4070945	4	Shim (.25)	
111	4740158	1	Thrustwasher	
112		1	Axle Weldment Options:	
	4846814		Without Tow Package	
	See Note		With Tow Package (Note: Not Available for Purchase.)	

SECTION 1 FRAME

FIGURE 1-4. 4WD FRONT AXLE & STEERING INSTALLATION (SN 0300075606 TO SN 0300087000) (CONTINUED)

ITEM #	PART NUMBER	QTY.	DESCRIPTION	REV.
		Ref	STEERING INSTALLATIONS	
	0273080	Ref	Without Tow Package	E
	0273394	Ref	With Tow Package	B
201	0100011	AR	Compound, Locking	
202	0641608	6	Bolt 3/8in-16NC x 1in	
203	Not Used			
204	0642012	2	Bolt 5/8in-11NC x 1-1/2in	
205	0961977	2	Bushing	
206	0962131	4	Bearing	
207	1683208	2	Steer Cylinder Assembly (See CYLINDER SECTION for Breakdown)	
208	3422326	2	Pin, Steer Cylinder	
209	3422900	2	Kingpin	
210		AR	Pin, Steer Cylinder Options:	
	3422902	2	Machines Without Tow Package	
	3422902	1	Machines With Tow Package (Left Side without Tow Link)	
	3422567	1	Machines With Tow Package (Right Side with Tow Link)	
211	3422903	2	Pin, Tie-Rod	
212	3841143	6	Shaft, Keeper	
213	3841258	2	Shaft, Keeper	
214	3841510	1	Tie-Rod	
215	4130394	1	Spindle - Left Side	
216		1	Spindle - Right Side Options:	
	4130395	2	Machines Without Tow Package	
	4130399	1	Machines With Tow Package	
217	4740111	6	Thrustwasher	
218	4740256	2	Thrustwasher	
219	4740463	2	Thrustwasher	

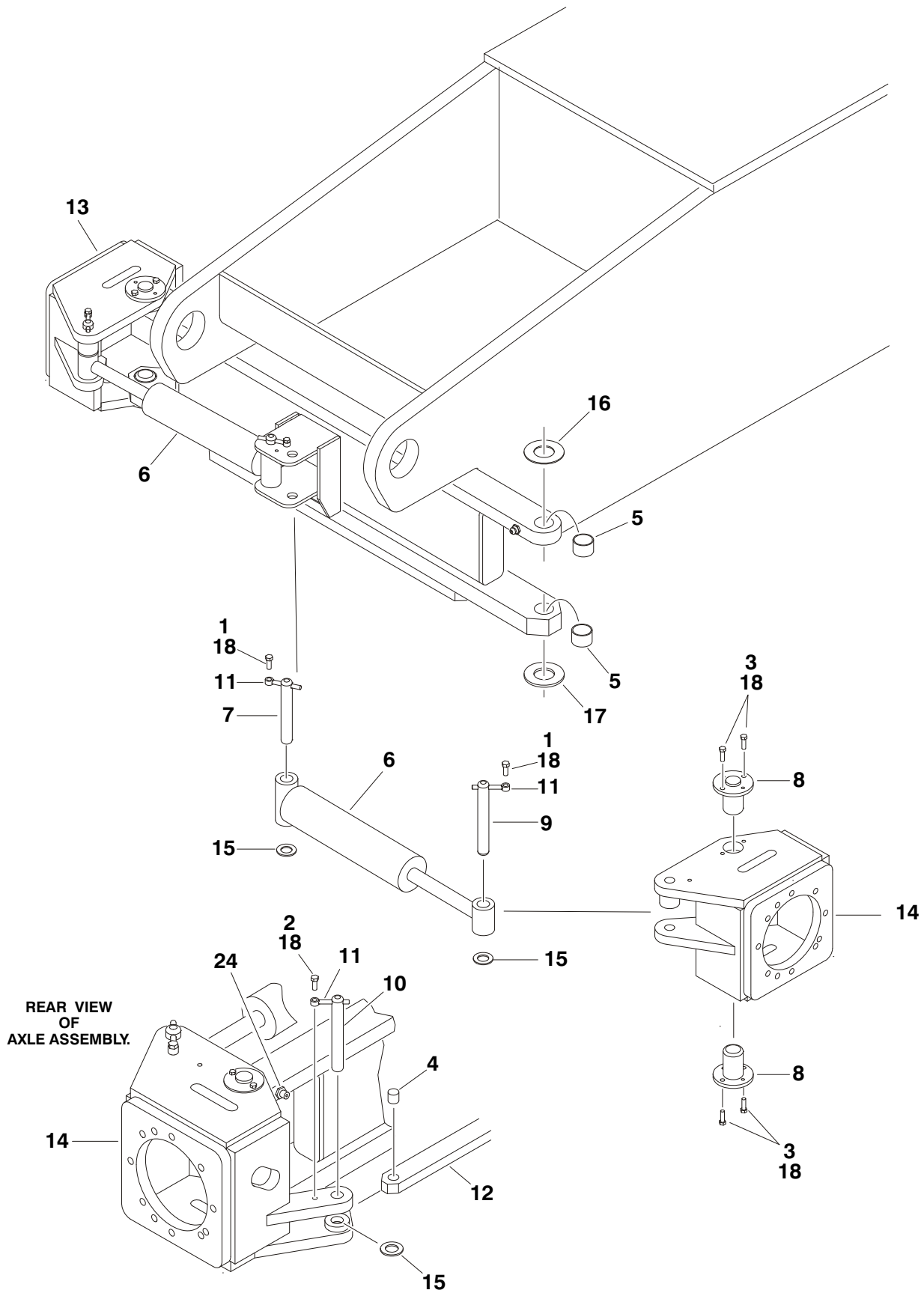
SECTION 1 FRAME

FIGURE 1-4. 4WD FRONT AXLE & STEERING INSTALLATION (SN 0300075606 TO SN 0300087000) (CONTINUED)

ITEM #	PART NUMBER	QTY.	DESCRIPTION	REV.

SECTION 1 FRAME

FIGURE 1-5. 4WS REAR STEERING INSTALLATION (SN 0300068000 TO SN 0300075606)



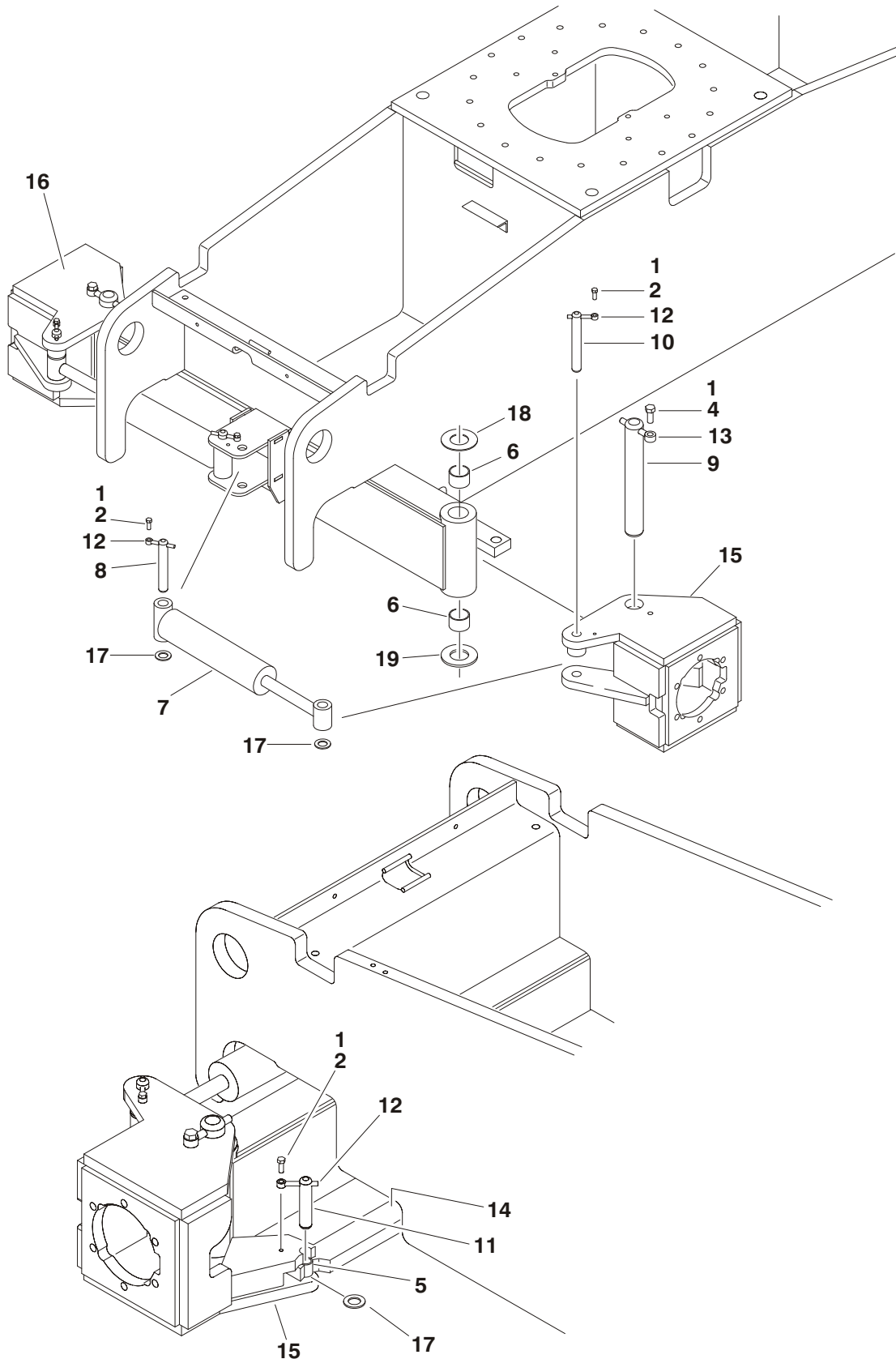
SECTION 1 FRAME

FIGURE 1-5. 4WS REAR STEERING INSTALLATION (SN 0300068000 TO SN 0300075606)

ITEM #	PART NUMBER	QTY.	DESCRIPTION	REV.
		Ref	4WS REAR STEERING INSTALLATIONS OPTIONS:	
	0257744	Ref	4WS Installation - 2WD Machines	2
	0271005	Ref	4WS Installation - 4WD Machines	1
	0270868	Ref	STEERING INSTALLATION	A
1	0641608	4	Bolt 3/8in-16NC x 1in	
2	0641612	2	Bolt 3/8in-16NC x 1-1/2in	
3	0681610	8	Bolt 3/8in-16NC x 1-1/4in (Grade 8)	
4	0961977	2	Bearing	
5	0962131	4	Bushing, Composite	
6	1683208	2	Steer Cylinder Assembly (See CYLINDER SECTION for Breakdown)	
7	3422326	2	Pin	
8	3422753	4	Kingpin	
9	3422902	2	Pin, Steer Cylinder	
10	3422903	2	Pin	
11	3841143	6	Shaft, Keeper	
12	3841510	1	Tie-Rod	
13	4130381	1	Spindle - Right Side	
14	4130382	1	Spindle - Left Side	
15	4740111	6	Thrustwasher	
16	4740256	2	Thrustwasher	
17	4740463	2	Thrustwasher	
18	0100011	AR	Compound, Locking	

SECTION 1 FRAME

FIGURE 1-6. 4WS REAR STEERING INSTALLATION (SN 0300075606 TO SN 0300087000)



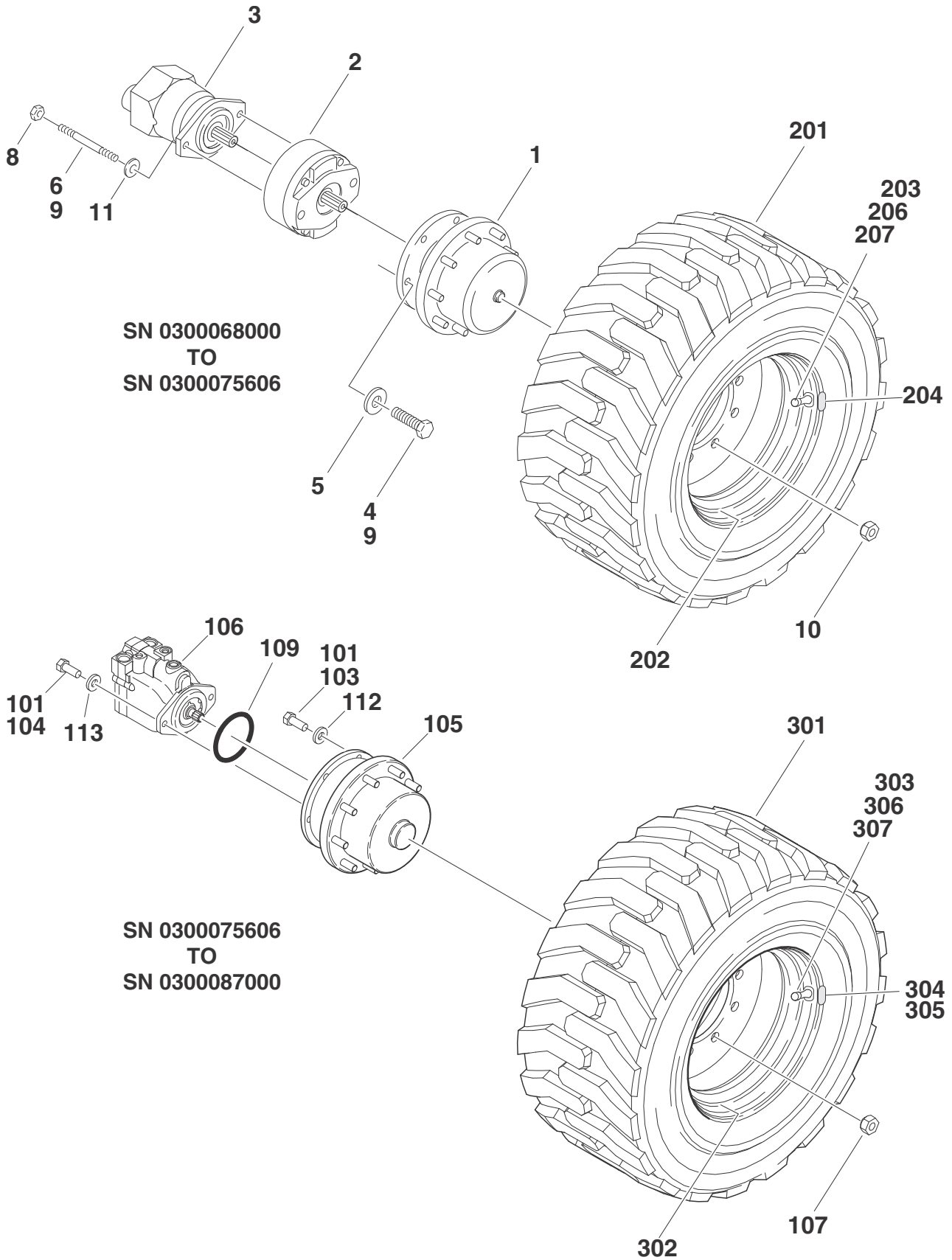
SECTION 1 FRAME

FIGURE 1-6. 4WS REAR STEERING INSTALLATION (SN 0300075606 TO SN 0300087000)

ITEM #	PART NUMBER	QTY.	DESCRIPTION	REV.
		Ref	4WS REAR STEERING INSTALLATIONS OPTIONS:	
	0273356	Ref	4WS Installation - 2WD Machines	1
	0273357	Ref	4WS Installation - 4WD Machines	1
	0273080	Ref	STEERING INSTALLATION	D
1	0100011	AR	Compound, Locking	
2	0641608	6	Bolt 3/8in-16NC x 1in	
3	Not Used			
4	0642012	2	Bolt 5/8in-11NC x 1-1/2in	
5	0961977	2	Bushing	
6	0962131	4	Bearing	
7	1683208	2	Steer Cylinder Assembly (See CYLINDER SECTION for Breakdown)	
8	3422326	2	Pin, Steer Cylinder	
9	3422900	2	Kingpin	
10	3422902	2	Pin, Steer Cylinder	
11	3422903	2	Pin, Tie-Rod	
12	3841143	6	Shaft, Keeper	
13	3841258	2	Shaft, Keeper	
14	3841510	1	Tie-Rod	
15	4130394	1	Spindle - Left Side	
16	4130395	1	Spindle - Right Side	
17	4740111	6	Thrustwasher	
18	4740256	2	Thrustwasher	
19	4740463	2	Thrustwasher	

SECTION 1 FRAME

FIGURE 1-7. TIRE & WHEEL DRIVE INSTALLATIONS



SECTION 1 FRAME

FIGURE 1-7. TIRE & WHEEL DRIVE INSTALLATIONS

ITEM #	PART NUMBER	QTY.	DESCRIPTION	REV.
		Ref	WHEEL DRIVE INSTALLATIONS (SN 0300068000 TO SN 0300075606)	
	0270121	Ref	2WD	3/B
	0270120	Ref	4WD	3/B
		Ref	Note: 2WD Qty Shown. For 4WD, Double Qty Shown.	
1	2780261	2	Drive Hub Assembly (See DRIVE HUB ASSEMBLY for Breakdown)	
2	Use 0920119	2	Drive Brake Assembly (was p/n 0920117)	
	7000731	2	Gasket (Located between the Hub, Motor & Brake - Not Shown)	
	7018612	2	Repair Kit - 0920117 & 0920119 Brakes (1 Per Assembly)	
		Ref	Note: Other than Gasket, Repair Kit is Only Part Available.	
3	3160204	2	Drive Motor Assembly (See DRIVE MOTOR ASSEMBLY for Breakdown)	
		Ref	Note: Adjustment required when replacing complete motor - See Service Manual for adjustment.	
4	0682016	16	Bolt 5/8in-11NC x 2in (Grade 8)	
5	4892000	16	Flatwasher 5/8in Hardened	
6	4300097	4	Stud 1/2in-13NC x 5-1/8in	
7	Not Used			
8	3311801	4	Nut 1/2in-13 NC	
9	0100011	AR	Compound, Locking	
10	3300007	20	Nut, Wheel	
11	4891800	4	Flatwasher 1/2in Hardened	
		Ref	WHEEL DRIVE INSTALLATIONS (SN 0300075606 TO SN 0300087000)	
	0273049	Ref	2WD/2WS	D
	0273367	Ref	2WD/4WS	A
	0273048	Ref	4WD/2WS	F
	0273366	Ref	4WD/4WS	E
		Ref	Note: 2WD Qty Shown. For 4WD, Double Qty Shown.	
101	0100011	AR	Compound, Locking	
102	Not Used			
103	0681810	4	Bolt 1/2in-13NC x 1-1/4in (Grade 8)	
104	0682016	12	Bolt 5/8in-11NC x 2in (Grade 8)	
105	2780269	2	Drive Hub Assembly (See DRIVE HUB ASSEMBLY for Breakdown)	
106		2	Drive Motor Assembly Options:	
	Use 3160349		2WD/2WS (was p/n 3160299 - See DRIVE MOTOR ASSEMBLY (ORIGINAL EQUIPMENT) for Breakdown) (For 3160349 Motor - See DRIVE MOTOR ASSEMBLY (SERVICE REPLACEMENT) for Breakdown)	
	Use 3160350		2WD/4WS, 4WD/2WS & 4WD/4WS (was p/n 3160300 - See DRIVE MOTOR ASSEMBLY (ORIGINAL EQUIPMENT) for Breakdown) (For 3160350 Motor - See DRIVE MOTOR ASSEMBLY (SERVICE REPLACEMENT) for Breakdown)	
107	3300106	18	Nut, Wheel	
108	Not Used			

SECTION 1 FRAME

FIGURE 1-7. TIRE & WHEEL DRIVE INSTALLATIONS (CONTINUED)

ITEM #	PART NUMBER	QTY.	DESCRIPTION	REV.
109	3790045	1	O-Ring	
110 to 111	Not Used			
112	4891800	4	Flatwasher 1/2in Hardened	
113		12	Flatwasher 5/8in Hardened Options:	
	4892000		SN 0300068000 to SN 0300076043	
	4740393		SN 0300076043 to SN 0300087000	
		Ref	TIRE AND WHEEL INSTALLATIONS OPTIONS	
			SN 0300068000 TO SN 0300075606:	
	0271618	Ref	Pneumatic - OTR Tires	1
	0272297	Ref	Pneumatic W/Sealant - OTR Tires	1
	0271619	Ref	Foam-Filled - OTR Tires	1
		2	Tire and Wheel Assembly Options (SN 0300068000 to SN 0300075606):	
	0271614		Pneumatic - OTR Tire (Left Side)	B
	0272317		Pneumatic W/Sealant - OTR Tire (Left Side)	B
	0271615		Pneumatic - OTR Tire (Right Side)	B
	0272318		Pneumatic W/Sealant - OTR Tire (Right Side)	A
	0271616		Foam-Filled - OTR Tire (Left Side)	B
	0271617		Foam-Filled - OTR Tire (Right Side)	B
		Ref	Note: Assemblies may require ballast/foam filling to manufacturer's specifications prior to installing on a machine. Refer to Operation & Safety or Service & Maintenance Manuals. Purchase individual tire and/or rim only if able to foam fill tire & wheel assembly, otherwise, purchase complete assembly. Note: Foam-Filled Tire and Wheel Assemblies Sold as Assemblies Only.	
201	4520258	4	Tire 15 x 19.5 (1 Per Assembly)	
202	4860148	4	Rim, Wheel (1 Per Assembly)	
203	4640113	4	Valve, Air (1 Per Assembly)	
204	1702701	4	Decal - 95 PSI:	
205	1705364	AR	Decal - Tire Sealant (W/Sealant Only)	
206	1300019	AR	Chemical, Tire Sealant (Green) (W/Sealant Only)	
207	1120552	AR	Cap, Valve Stem (Green) (W/Sealant Only)	
		Ref	TIRE AND WHEEL INSTALLATIONS OPTIONS	
		Ref	SN 0300075606 TO SN 0300087000:	
	0273001	Ref	Pneumatic - OTR Tires	1
	0273242	Ref	Pneumatic W/Sealant - OTR Tires	1
	0274322	Ref	Pneumatic Turf/Sand - OTR Tires	1
	0273238	Ref	Foam-Filled - OTR Tires	1
	0274152	Ref	Foam-Filled - OTR Tires (Non-Marking)	1
		2	Tire and Wheel Assembly Options (SN 0300075606 to SN 0300087000):	
	0272993		Pneumatic - OTR Tire (Right Side)	B
	0272992		Pneumatic - OTR Tire (Left Side)	B
	0273244		Pneumatic W/Sealant - OTR Tire (Right Side)	A
	0273243		Pneumatic W/Sealant - OTR Tire (Left Side)	B

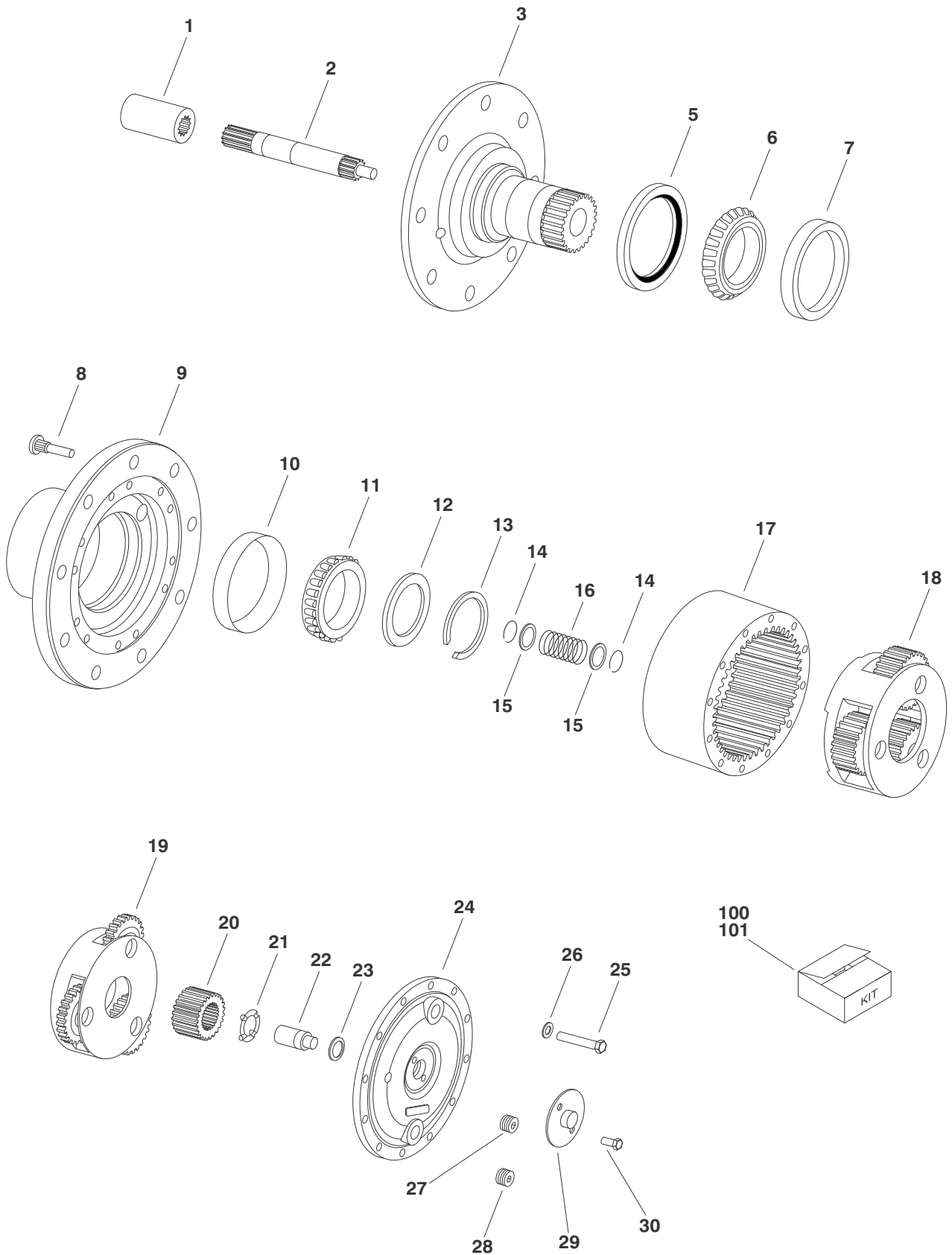
SECTION 1 FRAME

FIGURE 1-7. TIRE & WHEEL DRIVE INSTALLATIONS (CONTINUED)

ITEM #	PART NUMBER	QTY.	DESCRIPTION	REV.
	4520357		Pneumatic Turf/Sand - OTR Tire	A
	0273240		Foam-Filled - OTR Tire (Right Side)	B
	0273239		Foam-Filled - OTR Tire (Left Side)	B
	4520340		Foam-Filled - OTR Tire (Non-Marking) (Right Side)	B
	4520339		Foam-Filled - OTR Tire (Non-Marking) (Left Side)	B
		Ref	<p>Note: Assemblies may require ballast/foam filling to manufacturer's specifications prior to installing on a machine. Refer to Operation & Safety or Service & Maintenance Manuals. Purchase individual tire and/or rim only if able to foam fill tire & wheel assembly, otherwise, purchase complete assembly.</p>	
301	4520258	4	Tire 15 x 19.5 (1 Per Assembly)	
	4520356	4	Tire 18 x 625 - Turf/Sand (1 Per Assembly)	
302	4860243	4	Rim, Wheel (1 Per Assembly)	
	4520355	4	Rim, Wheel - Turf/Sand (1 Per Assembly)	
303	4640113	4	Valve, Air (1 Per Assembly)	
304	1702701	4	Decal - 95 PSI:	
	1702137	4	Decal - 60 PSI: (Turf/Sand Tires Only)	
305	1705364	AR	Decal - Tire Sealant (W/Sealant Only)	
306	1120552	AR	Chemical, Tire Sealant (Green) (W/Sealant Only)	
307	1300019	AR	Cap, Valve Stem (Green) (W/Sealant Only)	

SECTION 1 FRAME

FIGURE 1-8. DRIVE HUB ASSEMBLY (SN 0300068000 TO SN 0300075606)



SECTION 1 FRAME

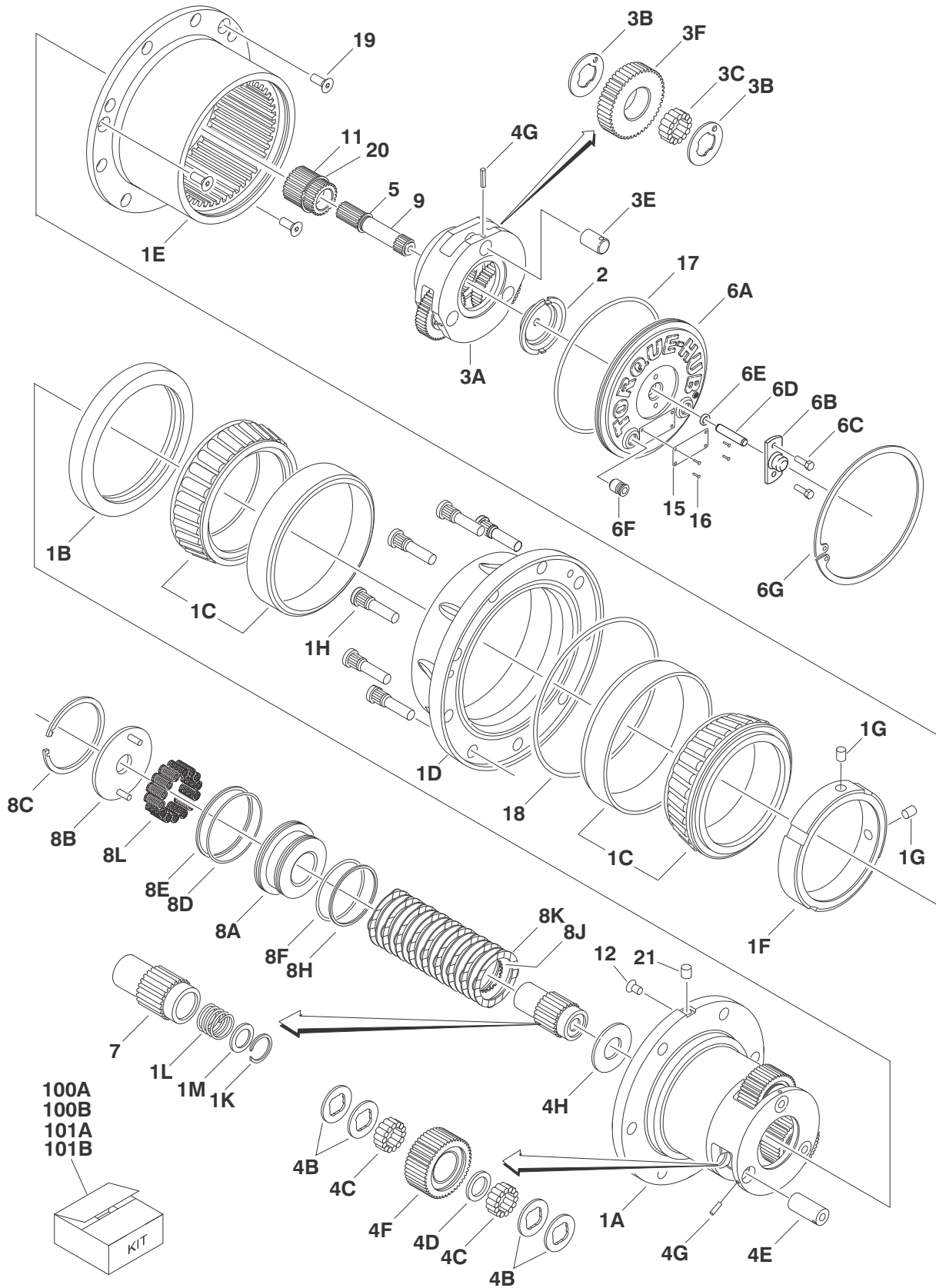
FIGURE 1-8. DRIVE HUB ASSEMBLY (SN 0300068000 TO SN 0300075606)

ITEM #	PART NUMBER	QTY.	DESCRIPTION	REV.
	2780261	Ref	DRIVE HUB ASSEMBLY	A
1	7014700	1	Coupling - 13 Teeth	
2	7014701	1	Shaft, Input - 13 Teeth	
3	7014731	1	Spindle	
4	Not Used			
5	7014703	1	Seal, Oil	
6	7014704	1	Cone, Bearing	
7	7014705	1	Cup, Bearing	
8	7014737	10	Bolt, Wheel	
9	7014734	1	Hub	
10	7014707	1	Cup, Bearing	
11	7014708	1	Cone, Bearing	
12	7001711	1	Thrustwasher	
13	7014709	1	Ring, Retaining Kit (Includes qty 6 Retaining Rings)	
14	7014711	2	Ring, Retaining	
15	7014712	2	Thrustwasher	
16	7014710	1	Spring	
17	7014732	1	Gear, Ring	
18	7014736	1	Secondary Carrier Assembly	
19	7014735	1	Primary Carrier Assembly	
20	7014733	1	Gear, Sun - 15 Teeth	
21	7014722	1	Thrustwasher	
22	7014717	1	Plunger, Disengage	
23	7014718	1	O -Ring	
24	7014719	1	Cover, Hub	
25	7014721	12	Bolt	
26	7014720	12	Flatwasher	
27	7014725	1	Plug, Magnetic	
28	7014726	1	Plug, Pipe	
29	7014723	1	Cover, Disengage	
30	7014724	2	Bolt	

100	7014730	1	Seal Kit (Includes Items 5 & 13)	
101	7014729	1	Bearing and Seal Kit (Includes Items 5, 6, 7, 10, 11 & 13)	

SECTION 1 FRAME

FIGURE 1-9. DRIVE HUB ASSEMBLY (SN 0300075606 TO SN 0300087000)



SECTION 1 FRAME

FIGURE 1-9. DRIVE HUB ASSEMBLY (SN 0300075606 TO SN 0300087000)

ITEM #	PART NUMBER	QTY.	DESCRIPTION	REV.
	2780269	Ref	DRIVE HUB/BRAKE ASSEMBLY	B
1	See Note	1	Spindle/Housing Assembly (Note: Not Available - Purchase p/n 2780269 Complete Replacement. See 1A-1M for Available Components.)	
1A	7024729	1	Spindle	
1B	70001119	1	Seal	
1C	7024735	2	Bearing (Includes Cup and Cone)	
1D	Use 2780269	1	Housing (Note: Not Available for Purchase.)	
1E	7024730	1	Ring, Gear	
1F	Use 7024744	1	Nut, Bearing	
1G	See Note	2	Setscrew 1/4in-28NF x 1/2in (Note: Use Item 100A,100B,101A or 101B)	
1H	7024732	9	Stud, Wheel	
1J	Not Used			
1K	7024125	1	Ring, Retaining	
1L	7024124	1	Spring	
1M	7024129	1	Thrustwasher	
2	7024741	1	Thrustwasher	
3	See Note	1	Carrier Assembly (Note: Not Available for Purchase. See 3A-3F for Available Components.)	
3A	7024725	1	Carrier	
3B	7024127	6	Thrustwasher	
3C	7024733	42	Bearing, Needle	
3D	Not Used			
3E	7024724	3	Shaft, Planet	
3F	7024727	3	Gear, Planet	
4	See Note	1	Planet Gear Sub-Assembly (Note: Not Available for Purchase. See 4A-4H for Available Components.)	
4A	Not Used	1		
4B	7024740	12	Thrustwasher	
4C	7024734	84	Bearing, Needle	
4D	7024736	3	Spacer, Thrust	
4E	7024726	3	Shaft, Planet	
4F	7024728	3	Gear, Planet	
4G	7001913	6	Rollpin	
4H	7024742	1	Thrustwasher	
5	7017027	1	Ring, Retaining	
6	See Note	1	Cover Assembly (Note: Not Available for Purchase. See 6A-6G for Available Components.)	
6A	7024731	1	Plate, Cover	
6B	7017093	1	Cap, Disengage	
6C	7000216	2	Bolt 1/2in-20NC x 1/2in	
6D	7024739	1	Pin, Dowel	
6E	7017095	1	O-Ring	
6F	7017072	2	Plug, Pipe	
6G	7024738	1	Ring, Retaining	
7	7024722	1	Coupling	

SECTION 1 FRAME

FIGURE 1-9. DRIVE HUB ASSEMBLY (SN 0300075606 TO SN 0300087000) (CONTINUED)

ITEM #	PART NUMBER	QTY.	DESCRIPTION	REV.
8	See Note	1	Brake, Input (Note: Not Available for Purchase. See 8A-8L for Available Components.)	
8A	70000782	1	Piston, Brake	
8B	7024743	1	Plate, Pressure	
8C	See Note	1	Ring, Retaining (Note: Use Item 101A or 101B)	
8D	See Note	1	O-Ring (Note: Use Item 100B or 101A)	
8E	See Note	1	Ring, Back-up (Note: Use Item 100B or 101A)	
8F	See Note	1	O-Ring (Note: Use Item 100B or 101A)	
8G	Not Used			
8H	See Note	1	Ring, Back-up (Note: Use Item 100B or 101A)	
8J	Use 7024764	8	Rotor, Brake	
8K	Use 7024764	9	Stator, Brake	
8L	Use 7024766	AR	Spring, Brake	
9	7024721	1	Shaft, Input	
10	Not Used			
11	7024723	1	Gear, Sun	
12	See Note	1	Plug (Note: Not Available - Purchase Locally.)	
13 to 14	Not Used			
15	See Note	1	Plate, ID (Not Shown) (Note: Not Available for Purchase.)	
16	7000281	4	Screw, Drive	
17	7024134	1	O-Ring	
18	Use 7024744	1	O-Ring	
19	7017022	3	Screw, Countersunk 3/8in-16NC	
20	7024737	1	Ring, Retaining	
21	See Note	1	Plug (Note: Not Available - Purchase Locally.)	

100		AR	Seal Kit Options:	
100A	7024744	1	Hub Seal Kit (Includes Items 1B, 1F, 1G, 17, 18 & 19)	
100B	7024765	1	Brake Seal Kit (Includes Items 1G,8C,8D,8E,8F & 8H)	
101		AR	Repair Kit Options:	
101A	7024764	1	Brake Lining Kit (Includes Items 1G,8C,8D,8F,8E,8H,8J & 8K)	
101B	7024766	1	Brake Spring Kit (Includes Items 1G,8C & 8L)	

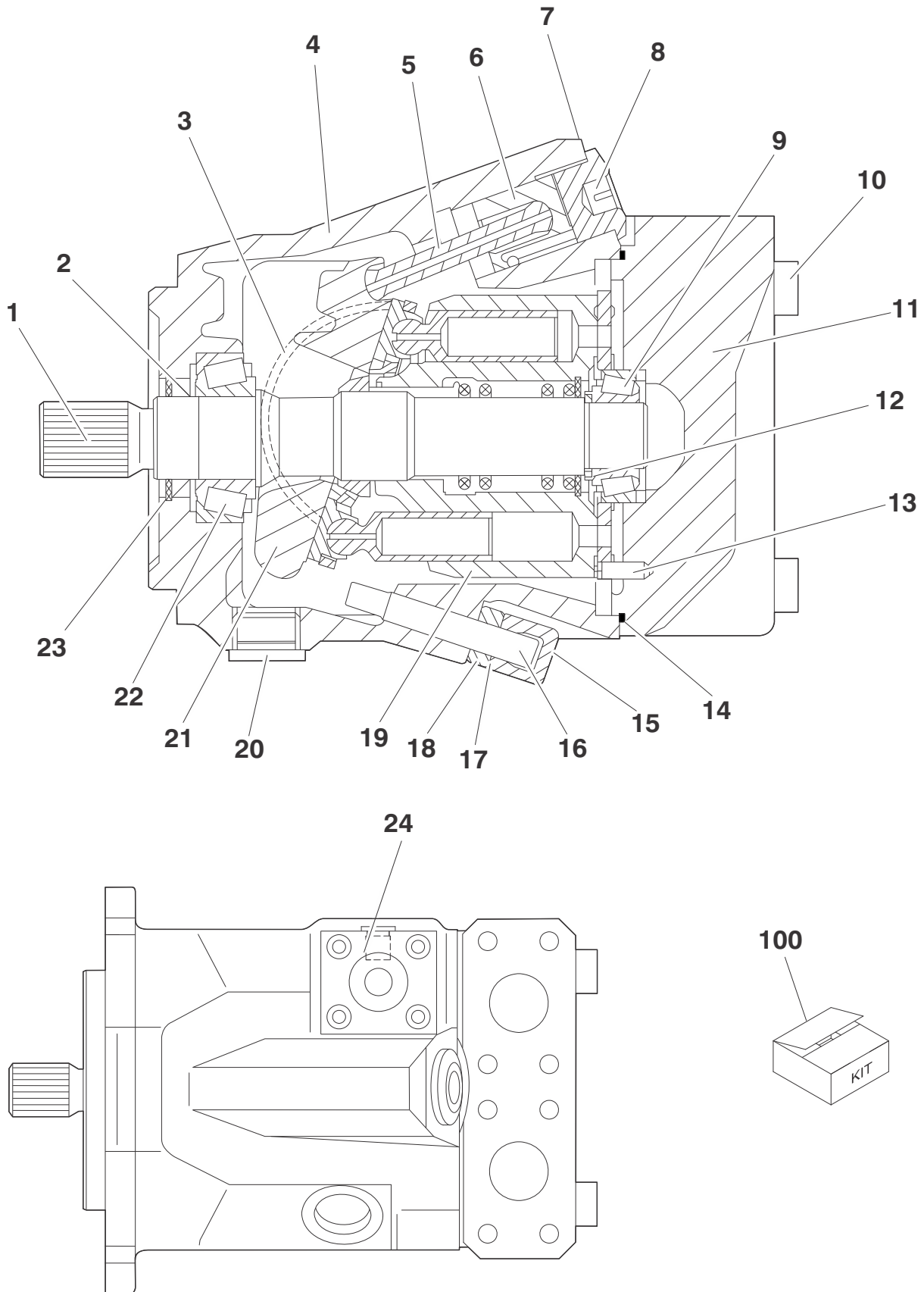
SECTION 1 FRAME

FIGURE 1-9. DRIVE HUB ASSEMBLY (SN 0300075606 TO SN 0300087000) (CONTINUED)

ITEM #	PART NUMBER	QTY.	DESCRIPTION	REV.

SECTION 1 FRAME

FIGURE 1-10. DRIVE MOTOR ASSEMBLY (SN 0300068000 TO SN 0300075606)



SECTION 1 FRAME

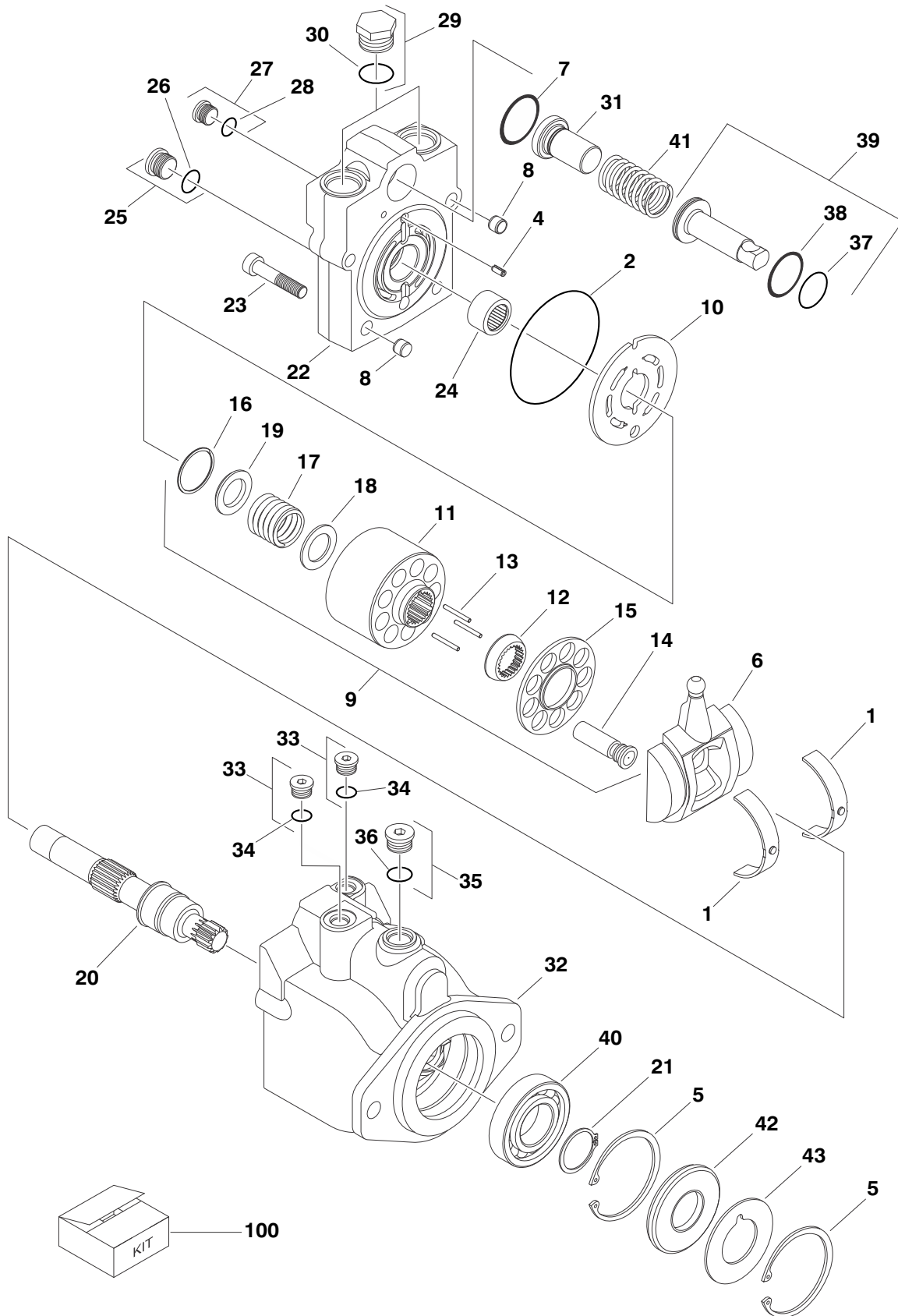
FIGURE 1-10. DRIVE MOTOR ASSEMBLY (SN 0300068000 TO SN 0300075606)

ITEM #	PART NUMBER	QTY.	DESCRIPTION	REV.
	3160204	Ref	DRIVE MOTOR ASSEMBLY	A
1	7012701	1	Shaft - 13 Teeth	
2	Use 2900788	1	Seal, Shaft	
3	7012702	2	Bearing, Cradle	
4	Use 3160204	1	Housing (Note: Not Available - Purchase Complete Drive Motor Assembly.)	
5	7012703	1	Rod, Piston	
6	7012704	1	Piston, Stroking	
7	Use 2900788	1	O-Ring	
8	7012705	1	Nut, Adapter	
9	7012706	1	Bearing, Roller	
10	7012707	4	Bolt, Metric Socket Head M12 x 65	
11	7012708	1	Block, Port	
12	7012709	1	Shim	
13	7012710	1	Pin, Dowel M6 x 18	
14	Use 2900788	1	O-Ring	
15	7012711	1	Nut, Cap M10 x 1	
16	7012712	1	Screw, Adjusting	
17	Use 2900788	2	O-Ring	
18	7012713	1	Nut, Jam M10 x 1	
19	7012716	1	Rotary Group Assembly (Includes Items 21)	
20	See Note	1	Plug (Note: Not Available - Purchase Locally.)	
21	See Note	1	Plate, Swash (Part of Item 19) (Note: Use Item 19)	
22	7012714	1	Bearing, Roller	
23	7012715	1	V-Ring	
24	7012700		Control Plate Assembly (Prior to SN 0300029852)	

100	2900788	1	Seal Kit (Includes Items 2,7,14,17 and O-Rings under Item 24)	
		1		

SECTION 1 FRAME

FIGURE 1-11. DRIVE MOTOR ASSEMBLY (ORIGINAL EQUIPMENT) (SN 0300075606 TO SN 0300087000)



SECTION 1 FRAME

FIGURE 1-11. DRIVE MOTOR ASSEMBLY (ORIGINAL EQUIPMENT) (SN 0300075606 TO SN 0300087000)

ITEM #	PART NUMBER	QTY.	DESCRIPTION	REV.
		Ref	DRIVE MOTOR ASSEMBLY	
	3160299	Ref	2WD/2WS	C
	3160300	Ref	2WD/4WS, 4WD/2WS & 4WD/4WS	C
		Ref	Note: Original Equipment Motor p/n 3160299 & p/n 3160300 uses 4 bolts to assemble the motor. Service Replacement Motor p/n 3160349 & p/n 3160350 motors use 5 bolts to assemble the motor. Visually identify component before ordering parts. If equipped with p/n 3160349 or p/n 3160350 refer to next illustration.	
1	7022302	2	Bearing, Journal	
2	Use 7022328	1	O-Ring	
3	Use 7022328	1	O-Ring	
4	7007446	1	Pin	
5	7007438	2	Ring, Retaining	
6	7024861	1	Swashplate	
7	Use 7022328	1	O-Ring	
8	7007435	2	Pin	
9	7022320	1	Cylinder Block Kit (Includes Items 11-19)	
10	7024862	1	Plate, Valve	
11	7024863	1	Block, Cylinder	
12	7024864	1	Guide, Slipper Retainer	
13	7021275	3	Pin, Slipper Hold Down	
14	7024865	9	Piston Assembly	
15	7024866	1	Retainer, Slipper	
16	7022311	1	Ring, Retaining	
17	7024867	1	Spring	
18	7024868	1	Washer	
19	7022314	1	Retainer, Spring	
20	7023910	1	Shaft	
21	7007439	1	Ring, Retaining	
22	7024869	1	Cap, End - Axial	
23	7022368	4	Screw	
24	7021249	1	Bearing, Needle	
25	7022321	1	Plug (Includes Item 26)	
26	Use 7022328	1	O-Ring	
27	7022318	1	Plug (Includes Item 28)	
28	Use 7022328	1	O-Ring	
29	7027419	2	Plug (Includes Item 30)	
30	Use 7022328	2	O-Ring	
31		1	Seat, Spring Options: 2WD/2WS 2WD/4WS, 4WD/2WS & 4WD/4WS	
32	7022370	1	Housing	
33	7022318	2	Plug (Includes Item 34)	
34	Use 7022328	2	O-Ring	
35	7022321	1	Plug (Includes Item 36)	
36	Use 7022328	1	O-Ring	
37	Use 7022328	1	O-Ring	

SECTION 1 FRAME

FIGURE 1-11. DRIVE MOTOR ASSEMBLY (ORIGINAL EQUIPMENT) (SN 0300075606 TO SN 0300087000) (CONTINUED)

ITEM #	PART NUMBER	QTY.	DESCRIPTION	REV.
38	Use 7022328	1	Ring, Seal	
39	7024871	1	Piston, Servo	
40	7007437	1	Bearing	
41	7022326	1	Spring	
42	Use 7022328	1	Seal, Lip	
43	7022371	1	Washer, Support	

100	7022328	1	Seal Kit (Includes Items 2,3,7,26,28,30,34,36,37,38 and 42)	

SECTION 1 FRAME

FIGURE 1-11. DRIVE MOTOR ASSEMBLY (ORIGINAL EQUIPMENT) (SN 0300075606 TO SN 0300087000) (CONTINUED)

ITEM #	PART NUMBER	QTY.	DESCRIPTION	REV.

SECTION 1 FRAME

FIGURE 1-12. DRIVE MOTOR ASSEMBLY (SERVICE REPLACEMENT)

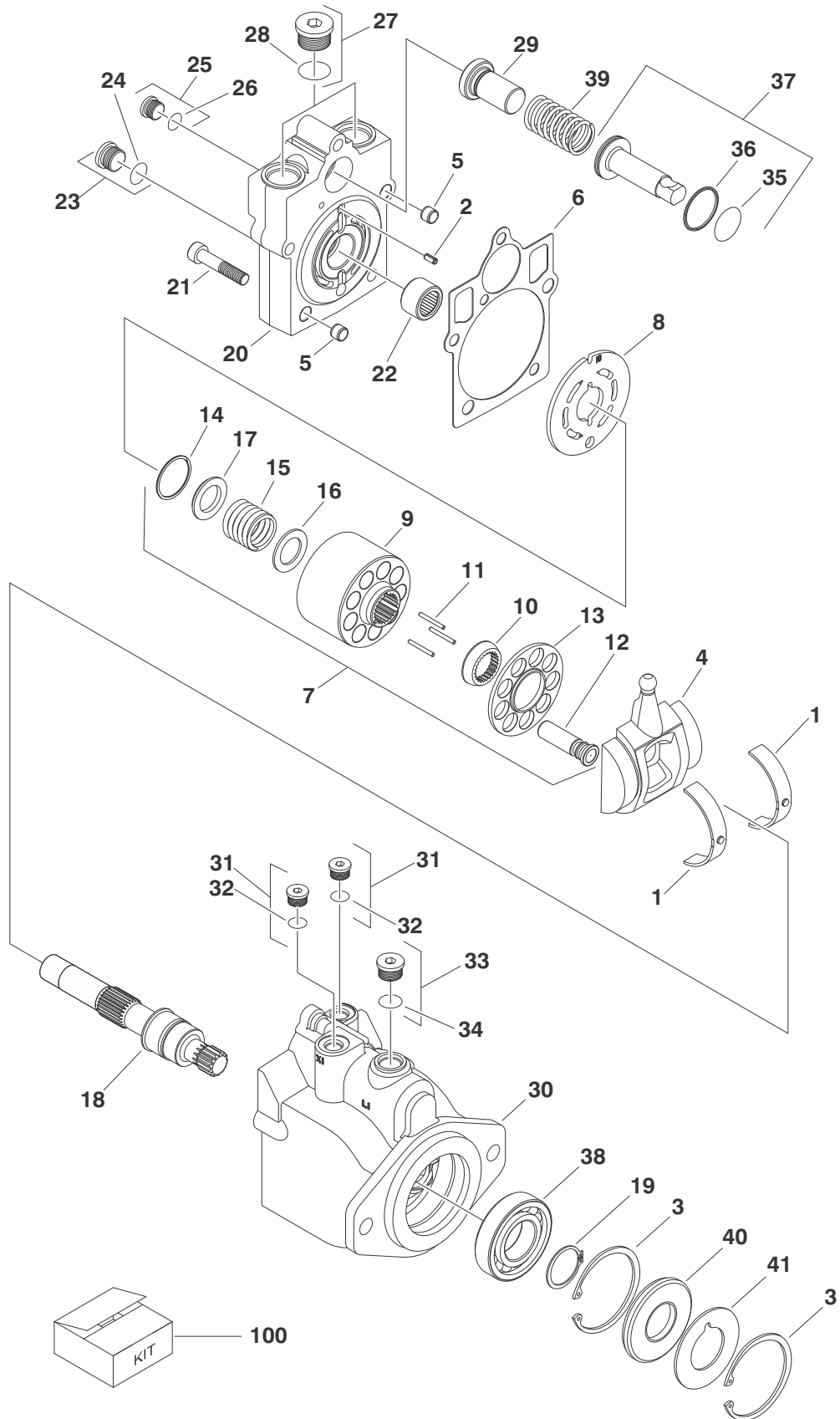


FIGURE 1-12. DRIVE MOTOR ASSEMBLY (SERVICE REPLACEMENT)

ITEM #	PART NUMBER	QTY.	DESCRIPTION	REV.
		Ref	DRIVE MOTOR ASSEMBLY	
	3160349	Ref	Service Replacement Motor for p/n 3120299	B
	3160350	Ref	Service Replacement Motor for p/n 3120300	B
1	7022302	2	Bearing, Journal	
2	7007446	1	Pin	
3	7007438	2	Ring, Retaining	
4	70000794	1	Swashplate	
5	See Note	2	Pin (Note: Not Available for Purchase.)	
6	Use 7022328	1	Gasket	
7	7027740	1	Cylinder Block Kit (Includes Items 9-17)	
8	7024862	1	Plate, Valve	
9	Use 7027740	1	Block, Cylinder	
10	Use 7027740	1	Guide, Slipper Retainer	
11	7021275	3	Pin, Slipper Hold Down	
12	7024865	9	Piston Assembly	
13	Use 7027740	1	Retainer, Slipper	
14	7022311	1	Ring, Retaining	
15	7024867	1	Spring	
16	7022313	1	Washer	
17	7022314	1	Retainer, Spring	
18	7023910	1	Shaft	
19	7007439	1	Ring, Retaining	
20	70000795	1	Cap, End - Axial	
21	7022368	5	Screw	
22	7021249	1	Bearing, Needle	
23	2220886	1	Plug (Includes Item 24)	
24	Use 7022328	1	O-Ring	
25	2220883	1	Plug (Includes Item 26)	
26	Use 7022328	1	O-Ring	
27	7027419	2	Plug (Includes Item 28)	
28	Use 7022328	2	O-Ring	
29		1	Seat, Spring Options: 2WD/2WS 2WD/4WS, 4WD/2WS & 4WD/4WS	
30	See Note	1	Housing (Note: Not Available - Purchase Complete Drive Motor Assembly.)	
31	2220883	2	Plug (Items Item 32)	
32	Use 7022328	2	O-Ring	
33	2220886	1	Plug (Items Item 34)	
34	Use 7022328	1	O-Ring	
35	Use 7022328	1	O-Ring	
36	Use 7022328	1	Ring, Seal	
37	7024871	1	Piston, Servo	
38	7007437	1	Bearing	
39	7022326	1	Spring	
40	Use 7022328	1	Seal, Lip	
41	7022371	1	Washer, Support	

SECTION 1 FRAME

FIGURE 1-12. DRIVE MOTOR ASSEMBLY (SERVICE REPLACEMENT) (CONTINUED)

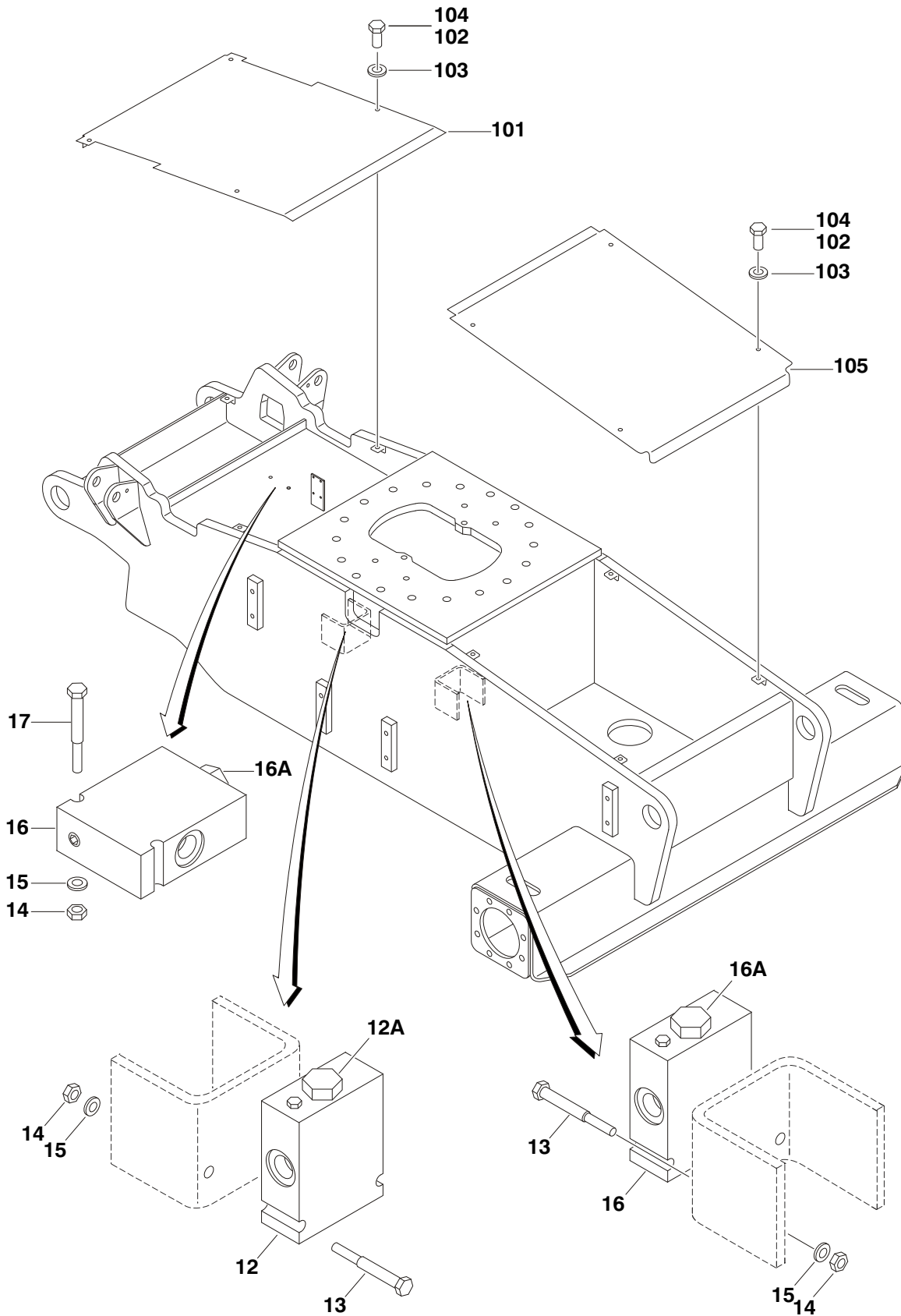
ITEM #	PART NUMBER	QTY.	DESCRIPTION	REV.
100	7022328	1	Seal Kit (Includes Items 6,24,26,28,32,34,35,36 and 40)	

FIGURE 1-12. DRIVE MOTOR ASSEMBLY (SERVICE REPLACEMENT) (CONTINUED)

ITEM #	PART NUMBER	QTY.	DESCRIPTION	REV.

SECTION 1 FRAME

FIGURE 1-13. DRIVE VALVES & SHIELDS INSTALLATION (FRAME MOUNTED) (SN 0300068000 TO SN 0300075606)



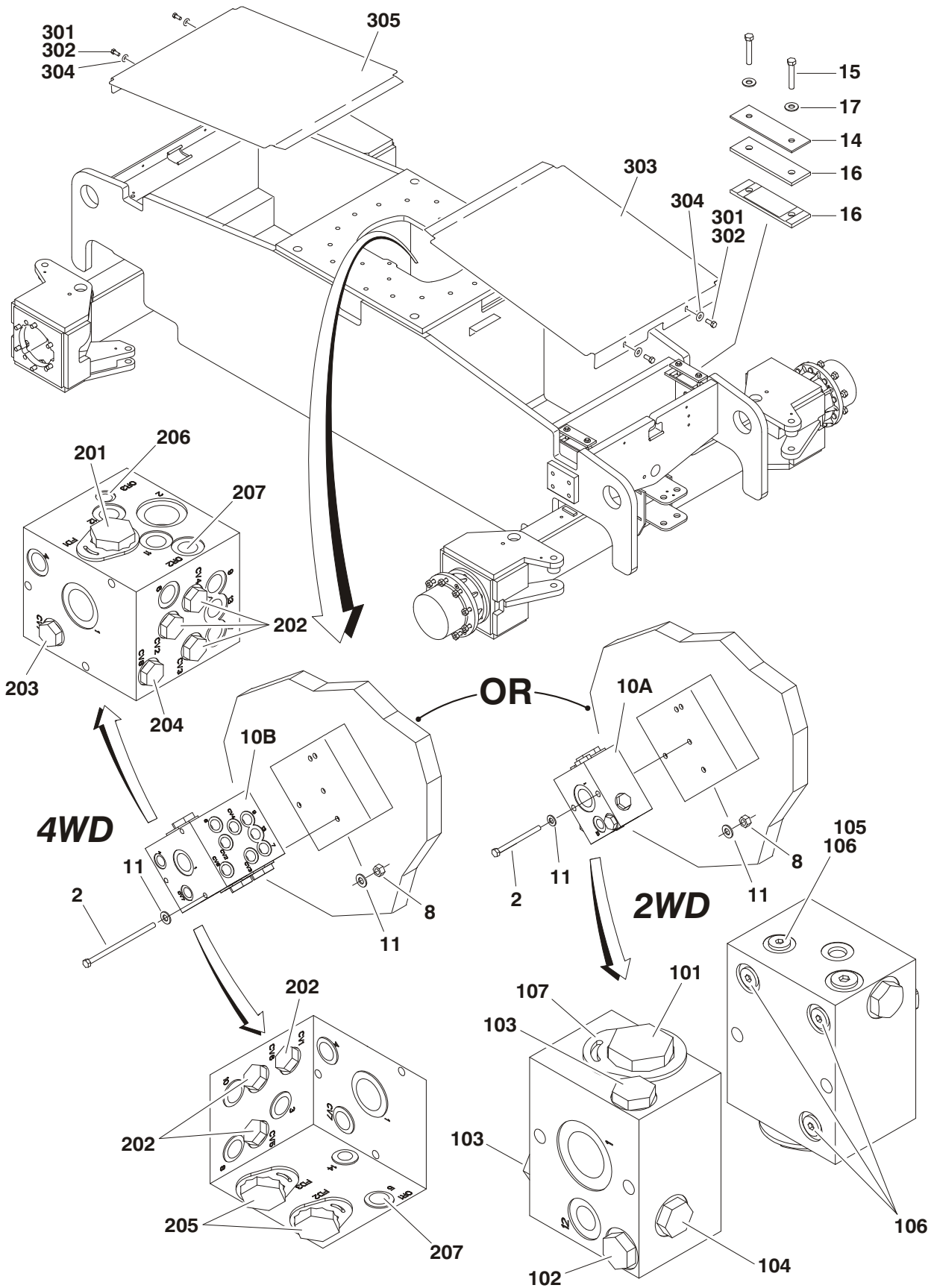
SECTION 1 FRAME

FIGURE 1-13. DRIVE VALVES & SHIELDS INSTALLATION (FRAME MOUNTED) (SN 0300068000 TO SN 0300075606)

ITEM #	PART NUMBER	QTY.	DESCRIPTION	REV.
		Ref	DRIVE VALVES INSTALLATION OPTIONS:	
	0270121	Ref	2WD	3/B
	0270120	Ref	4WD	3/B
1 to 11	Not Used			
12	4640923	1	Valve, Flow Divider	
12A	7017442	1	Cartridge, Flow Divider	
	7012980	1	Seal Kit - 7017442 Cartridge	
	7012993	1	Plug, Orifice	
13	0641522	AR	Bolt 5/16in-18NC x 2-5/8in	
14	3311505	AR	Locknut 5/16in-18NC	
15	4751500	AR	Flatwasher 5/16in Regular	
16		AR	Flow Divider Valve Assembly Options:	
	Not Required	0	2WD	
	4640937	2	4WD	
16A	7012978	2	Cartridge (1 Per Valve)	
	7012980	2	Seal Kit - 7012978 Cartridge (1 Per Valve)	
	7012994	1	Plug, Orifice	
17	0641520	AR	Bolt 5/16in-18NC x 2-1/2in	
18	4060808	3.5ft/1.06m	Shield, Flex Trim (Not Shown)	
		Ref	FRAME SHIELDS INSTALLATION	
	0254856	Ref	2WS	—
	0254857	Ref	4WS	—
101	4060870	1	Shield, Frame - Front	
102	0641608	AR	Bolt, 3/8in-16NC x 1in	
103	4751600	AR	Flatwasher, 3/8in Regular	
104	0100011	AR	Compound, Locking	
105		AR	Shield, Frame - Rear	
	Not Required	0	2WS	
	4060874	1	4WS	

SECTION 1 FRAME

FIGURE 1-14. DRIVE VALVES & SHIELDS INSTALLATION (FRAME MOUNTED) (SN 0300075606 TO SN 0300087000)



SECTION 1 FRAME

FIGURE 1-14. DRIVE VALVES & SHIELDS INSTALLATION (FRAME MOUNTED) (SN 0300075606 TO SN 0300087000)

ITEM #	PART NUMBER	QTY.	DESCRIPTION	REV.
		Ref	DRIVE VALVES INSTALLATION OPTIONS:	
	0273049	Ref	2WD/2WS	D
	0273367	Ref	2WD/4WS	A
	0273048	Ref	4WD/2WS	F
	0273366	Ref	4WD/4WS	E
1	Not Used			
2		AR	Bolt 5/16in-18NC Options:	
	0641532	2	4in Length (2WD)	
	0641552	3	6-1/2in Length (4WD)	
3 to 7	Not Used			
8	3311505	AR	Locknut 5/16in-18NC	
9	Not Used			
10		1	Flow Divider Valve Assembly Options:	
10A			2WD Options (See Items 101-107 for Breakdown):	
	4641287		SN 0300075606 to SN 0300086892	
	Use 1001100120		SN 0300086892 to SN 0300087000 (was p/n 4641409)	
10B			4WD Options (See Items 201-207 for Breakdown):	
	4641280		SN 0300075606 to SN 0300086892	
	Use 1001098503		SN 0300086892 to SN 0300087000 (was p/n 4641410)	
11	4711500	AR	Flatwasher 5/16in Thin	
12 to 13	Not Used			
14		AR	Bar, Clamping	
	Not Required	0	2WD/2WS	
	0363012	2	2WD/2WS, 4WD/2WS & 4WD/4WS	
15	0641618	4	Bolt 3/8in-16NC x 2-1/4in	
16	3340911	4	Rubber, Clamp	
17	4751600	4	Flatwasher 3/8in Regular	
		Ref	FLOW DIVIDER ASSEMBLIES (2WD)	
	4641287	Ref	SN 0300075606 to SN 0300086892	C
	4641409	Ref	SN 0300086892 to SN 0300087000	A
	1001100120	Ref	Service Replacement for 4641409	A
		Ref	Note: Original Equipment Valve may have been replaced with Service Replacement Valve p/n 1001098503. Identify p/n stamped on Valve before ordering parts.	
101	7023933	1	Valve, Cartridge (Flow Divider)	
	7021625	1	Seal Kit - Flow Divider Cartridge	
102	7024850	1	Valve, Cartridge (Check) (Used With p/n 4641287)	
	7024892	1	Valve, Cartridge (Check) (Used With p/n 4641409 & p/n 1001100120)	
	7023936	1	Seal Kit - Check Cartridge	
103	7022397	2	Valve, Cartridge (Check)	
	7022399	2	Seal Kit - Check Cartridge	
104	7023935	1	Valve, Cartridge (Check)	
	7023936	1	Seal Kit - Check Cartridge	
105	70002063	1	Orifice (Used With p/n 1001100120)	

SECTION 1 FRAME

FIGURE 1-14. DRIVE VALVES & SHIELDS INSTALLATION (FRAME MOUNTED) (SN 0300075606 TO SN 0300087000) (CONTINUED)

ITEM #	PART NUMBER	QTY.	DESCRIPTION	REV.
106	7017406	4	Plug (Used With p/n 1001100120)	
107	70000781	1	Kit, Lock Down (Used With p/n 1001100120)	
		Ref	FLOW DIVIDER ASSEMBLIES (4WD)	
	4641280	Ref	SN 0300075606 to SN 0300086892	C
	4641410	Ref	SN 0300086892 to SN 0300087000	B
	1001098503	Ref	Service Replacement for 4641410	A
		Ref	Note: Original Equipment Valve may have been replaced with Service Replacement Valve p/n 1001098503. Identify p/n stamped on Valve before ordering parts.	
201	7023933	1	Valve, Cartridge (Flow Divider)	
	7021625	1	Seal Kit - Flow Divider Cartridge	
202	7022397	6	Valve, Cartridge (Check) (Used With p/ns 4641280 & 4641410)	
	70003408	6	Valve, Cartridge (Check) (Used With p/n 1001098503)	
	7022399	6	Seal Kit - Check Cartridge	
203	7023935	1	Valve, Cartridge (Check)	
	7023936	1	Seal Kit - Check Cartridge	
204	7024850	1	Valve, Cartridge (Check) (Used With p/n 4641280)	
	7024892	1	Valve, Cartridge (Check) (Used With p/ns 4641410 & 1001098503)	
	7023936	1	Seal Kit - Check Cartridge	
205	7023917	2	Valve, Cartridge (Flow Divider)	
	7021625	2	Seal Kit - Flow Divider Cartridge	
206	70002063	1	Plug, Orifice	
207	70002064	2	Plug, Orifice	
		Ref	FRAME SHIELDS INSTALLATION	
	0273067	Ref	2WS	A
	0273362	Ref	4WS	A
301	0100011	AR	Compound, Locking	
302	0641607	AR	Bolt, 3/8in-16NC x 7/8in	
303	4061058	1	Shield, Frame - Front	
304	4751600	AR	Flatwasher, 3/8in Regular	
305		AR	Shield, Frame - Rear	
	Not Required	0	2WS	
	4061058	1	4WS	

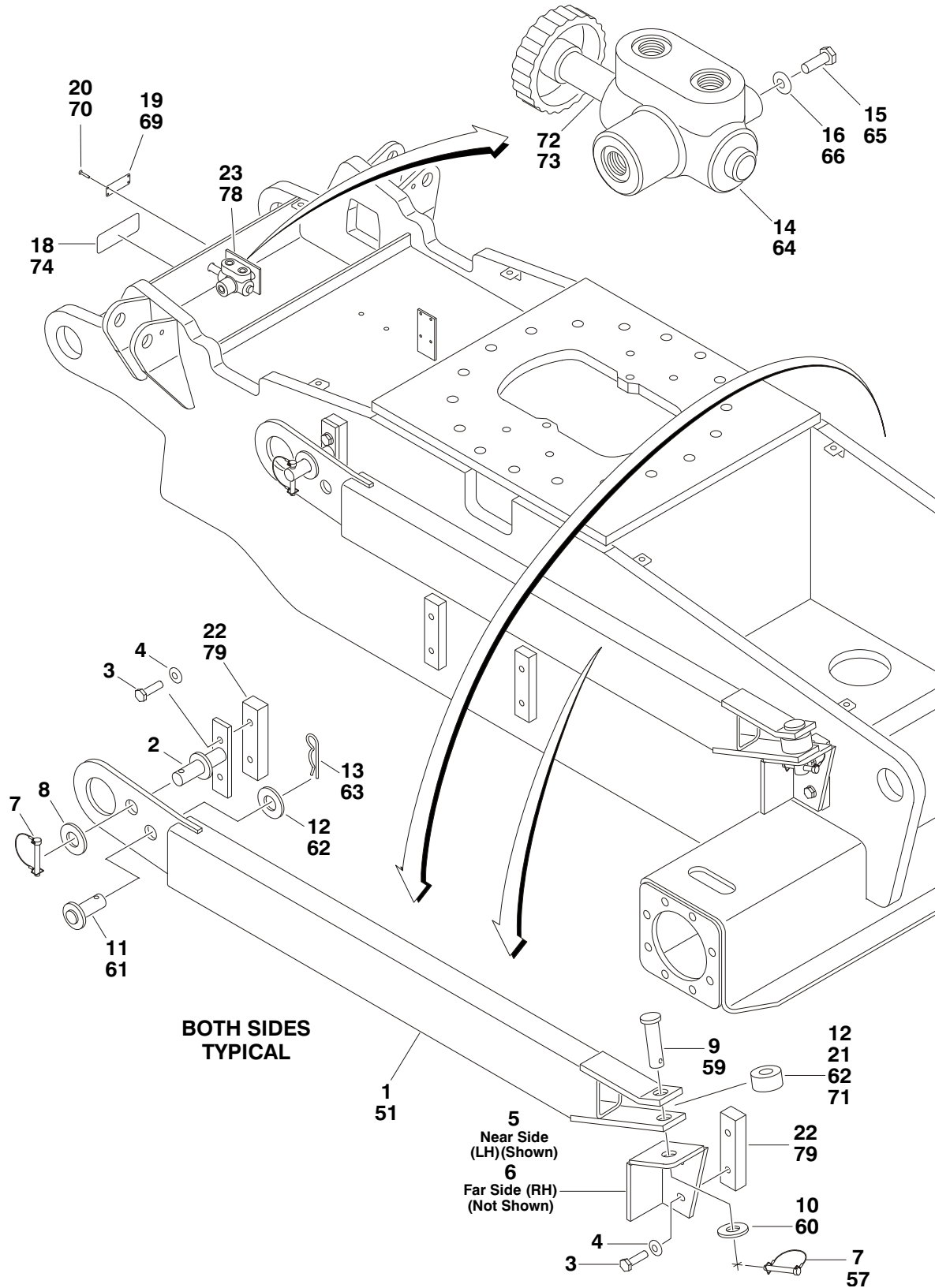
SECTION 1 FRAME

FIGURE 1-14. DRIVE VALVES & SHIELDS INSTALLATION (FRAME MOUNTED) (SN 0300075606 TO SN 0300087000) (CONTINUED)

ITEM #	PART NUMBER	QTY.	DESCRIPTION	REV.

SECTION 1 FRAME

FIGURE 1-15. TOW PACKAGE INSTALLATION (OPTIONAL) (SN 0300068000 TO SN 0300075606)



SECTION 1 FRAME

FIGURE 1-15. TOW PACKAGE INSTALLATION (OPTIONAL) (SN 0300068000 TO SN 0300075606)

ITEM #	PART NUMBER	QTY.	DESCRIPTION	REV.
		Ref	TOW PACKAGE INSTALLATION - 2WS OPTIONS:	
	0255363	Ref	ANSI Spec Machines	6
	0259424	Ref	CSA Spec Machines	1
1	4845281	2	Tow Bar Weldment	
2	4845283	2	Bracket, Tow Bar Storage (Front)	
3	0641608	8	Bolt 3/8in-16NC x 1in	
4	4711600	8	Flatwasher 3/8in Thin	
5	4845282	1	Bracket, Tow Bar Storage (Rear Left Side)	
6	4845286	1	Bracket, Tow Bar Storage (Rear Right Side)	
7	3421453	4	Snap-Pin	
8	4712600	1	Flatwasher 1in Thin	
9	3422552	2	Pin, Tow Bar	
10	4713400	2	Flatwasher 1-1/2in Thin	
11	3422553	1	Pin, Tow Bar	
12	4713000	2	Flatwasher 1-1/4in Thin	
13	3420592	2	Hairpin	
14	4640261	1	Valve, Tow	
15	0641505	2	Bolt 5/16in-18NC x 5/8in	
16	4711500	2	Flatwasher 5/16in Thin	
17	Not Used			
18		1	Decal Options:	
	1702968		ANSI Spec Machines	
	1704273		CSA Spec Machines	
19		1	Nameplate Options:	
	3250872		ANSI Spec Machines	
	1704272		CSA Spec Machines	
20		4	Rivet Options:	
	3820001		ANSI Spec Machines	
	Not Required		CSA Spec Machines	
21	4566971	2	Spacer, Tube	
22	0362519	4	Bar, Tow Clamp	
23	3539662	1	Plate, Valve Mount	
		Ref	TOW PACKAGE INSTALLATION - 4WS (OPTIONAL)	
	0258886	Ref	ANSI Spec Machines	3/B
	0259425	Ref	CSA Spec Machines	1/A
51	4845281	2	Tow Bar Weldment	
52 to 56	Not Required			
57	3421453	2	Snap-Pin	
58	Not Required			
59	3422552	2	Pin, Tow Bar	
60	4713400	2	Flatwasher 1-1/4in Thin	
61	3422553	1	Pin, Tow Bar	
62	4713000	2	Flatwasher 1-1/4in Thin	
63	3420592	1	Hairpin	
64	4640261	1	Valve, Tow	

SECTION 1 FRAME

FIGURE 1-15. TOW PACKAGE INSTALLATION (OPTIONAL) (SN 0300068000 TO SN 0300075606) (CONTINUED)

ITEM #	PART NUMBER	QTY.	DESCRIPTION	REV.
65	0641505	2	Bolt 5/16in-18NC x 5/8in	
66	4711500	2	Flatwasher 5/16in Thin	
67	Not Used			
68	Not Required			
69		1	Nameplate Options:	
	3250872		ANSI Spec Machines	
	1704272		CSA Spec Machines	
70		4	Rivet Options:	
	3820001		ANSI Spec Machines	
	Not Required		CSA Spec Machines	
71	4566971	2	Spacer, Tube	
72		1	Rod, Extension Options:	
	3841329		ANSI Spec Machines	
	3841322		CSA Spec Machines	
73	4761600	1	Lockwasher 5/16in	
74		1	Decal Options:	
	1703403		ANSI Spec Machines	
	1704276		CSA Spec Machines	
75	1703404	2	Decal, Match Arrow (Not Shown)	
76	1703444	1	Decal (Not Shown)	
77		1	Decal (Not Shown) Options:	
	1703450		ANSI Spec Machines	
	1704274		CSA Spec Machines	
78	3539662	1	Plate, Valve Mount	
79	0362519	4	Bar (ANSI Spec Machines Only)	

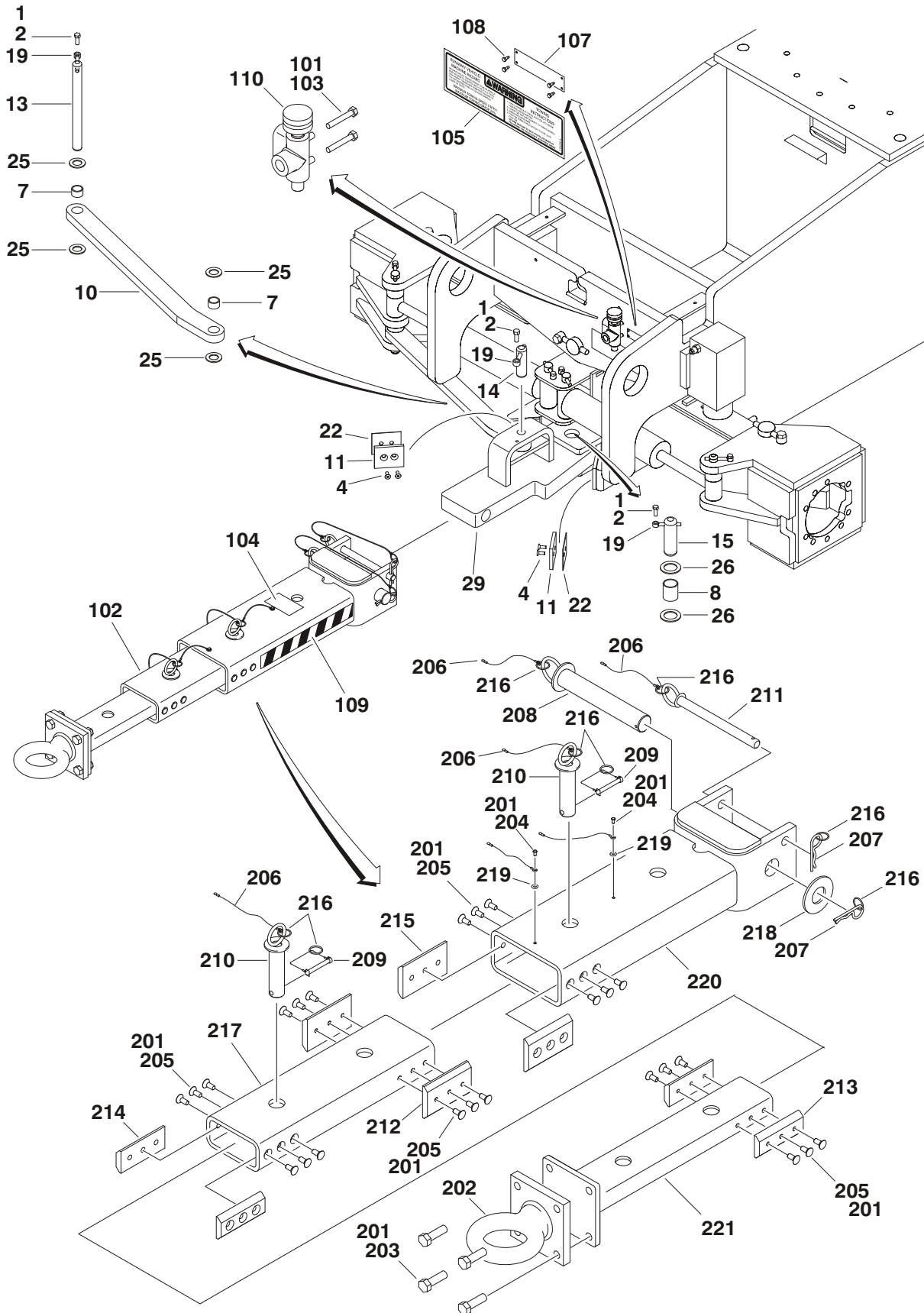
SECTION 1 FRAME

FIGURE 1-15. TOW PACKAGE INSTALLATION (OPTIONAL) (SN 0300068000 TO SN 0300075606) (CONTINUED)

ITEM #	PART NUMBER	QTY.	DESCRIPTION	REV.

SECTION 1 FRAME

FIGURE 1-16. TOW PACKAGE INSTALLATION (OPTIONAL) (SN 0300075606 TO SN 0300087000)



SECTION 1 FRAME

FIGURE 1-16. TOW PACKAGE INSTALLATION (OPTIONAL) (SN 0300075606 TO SN 0300087000)

ITEM #	PART NUMBER	QTY.	DESCRIPTION	REV.
		Ref	TOW PACKAGE INSTALLATION	
	0273422	Ref	2WD	A
	0273394	Ref	4WD	A
1	0100011	AR	Compound, Locking	
2	0641608	3	Bolt 3/8in-16NC x 1in	
3	Not Used			
4	0741607	4	Screw, Countersunk 3/8in-16NC x 7/8in	
5 to 6	Not Used			
7	0962292	2	Bearing	
8	0962348	1	Bearing	
9	Not Used			
10	3010125	1	Link, Steer	
11	3340966	2	Pad, Stop	
12	Not Used			
13	3422567	1	Pin	
14	3422813	1	Pin	
15	3422848	1	Pin	
16 to 18	Not Used			
19	3841143	3	Keeper, Pin	
20 to 21	Not Used			
22	4071059	2	Shim	
23 to 24	Not Used			
25	4740111	3	Thrustwasher	
26	4740155	2	Thrustwasher	
27 to 28	Not Used			
29	4846935	1	Bar, Pivot	
		Ref	TOW BAR INSTALLATION	
	0273398	Ref	ANSI Spec	B
	0273448	Ref	CSA Spec	A
101	0100011	AR	Compound, Locking	
102	0270528	1	Bar Assembly (See Items 201-221 for Breakdown)	
103	0641516	2	Bolt 5/16in-18NC x 2in	
104	1704578	2	Decal - Crushing	
105		1	Decal - Towing Instructions Options:	
	1705090		ANSI Spec	
	1705820		CSA Spec	
106	Not Used			
107		1	Nameplate - Steer/Tow Select Valve Options:	
	3250872		ANSI Spec	
	1704272		CSA Spec	
108	3940604	4	Screw, Self-Tapping #6-32NF x 1/2in	
109	4420051	2ft/.61m	Tape, Safety	
110	4640281	1	Valve, Select	

SECTION 1 FRAME

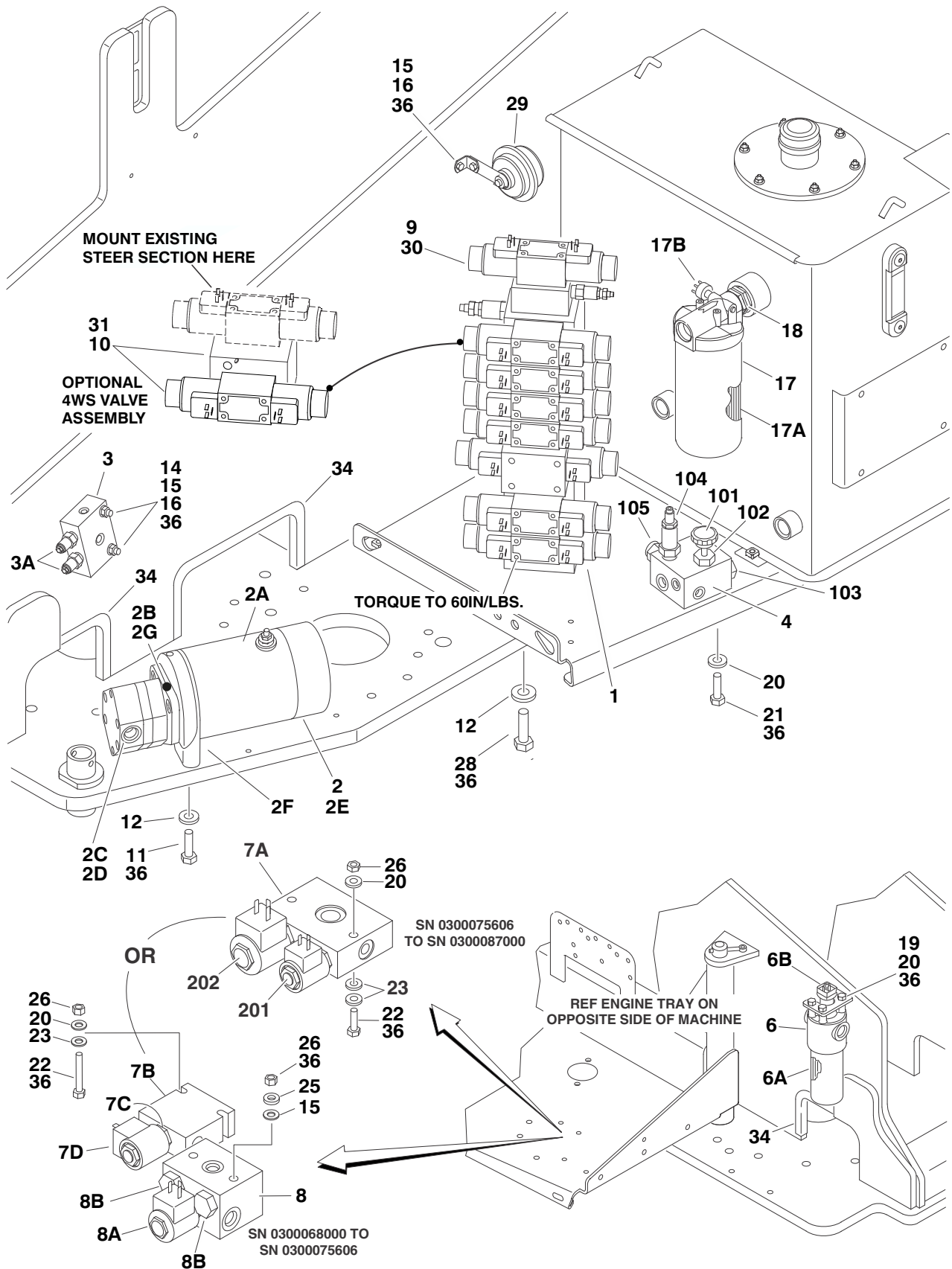
FIGURE 1-16. TOW PACKAGE INSTALLATION (OPTIONAL) (SN 0300075606 TO SN 0300087000) (CONTINUED)

ITEM #	PART NUMBER	QTY.	DESCRIPTION	REV.
	0270528	Ref	TOW BAR ASSEMBLY	A
201	0100011	AR	Compound, Locking	
202	0362910	1	Pintle, Draw Eye	
203	0642010	4	Bolt 5/8in-11NC x 1-1/4in	
204	0721004	2	Screw, Hex Machine	
205	0741607	24	Screw, Countersunk 3/8in-16NC x 7/8in	
206	1060584	6	Cable, Lanyard	
207	3420372	2	Pin, Cotter	
208	3420447	1	Pin, Towing	
209	3421565	2	Pin, Snap	
210	3422841	2	Pin	
211	3422847	1	Pin	
212	3572009	2	Plate, Slide Stop	
213	3572010	2	Plate, Slide Stop	
214	3572011	2	Plate, Slide Stop	
215	3572012	2	Plate, Slide Stop	
216	3760170	8	Ring, Split	
217	4568133	1	Tube, Tow Bar	
218	4740036	1	Flatwasher	
219	4751000	2	Flatwasher #10 Regular	
220	4846295	1	Tow Bar Attach Weldment	
221	4846296	1	Pintle Attach Weldment	

SECTION 2 TURNTABLE

SECTION 2 TURNTABLE

FIGURE 2-1. CONTROL VALVES INSTALLATIONS



SECTION 2 TURNTABLE

FIGURE 2-1. CONTROL VALVES INSTALLATIONS

ITEM #	PART NUMBER	QTY.	DESCRIPTION	REV.
		Ref	VALVES INSTALLATIONS	
		Ref	SN 0300068000 to SN 0300075606	
	0255315	Ref	600S (2WS)	13
	0255446	Ref	600S (4WS)	12
	0255445	Ref	600SJ (2WS) & 660SJ (2WS)	14
	0255447	Ref	600SJ (4WS) & 660SJ (4WS)	12
		Ref	SN 0300075606 to SN03000 84827)	
	0273082	Ref	600S (2WS)	3
	0273087	Ref	600S (4WS)	3
	0273086	Ref	600SJ (2WS) & 660SJ (2WS)	3
	0273088	Ref	600SJ (4WS) & 660SJ (4WS)	3
		Ref	SN 0300084827 to SN 0300087000	
	0274316	Ref	600S (2WS)	1
	0274317	Ref	600S (4WS)	1
	0274318	Ref	600SJ (2WS) & 660SJ (2WS)	1
	0274319	Ref	600SJ (4WS) & 660SJ (4WS)	1
1	4641096	1	Main Control Valve Assembly (See MAIN CONTROL VALVE ASSEMBLY for Breakdown)	
2	Use 3600379	1	Auxiliary Pump Assembly (SN 0300068000 to SN 0300070773) (was p/n 3600243)	
	3600365	1	Auxiliary Pump Assembly (SN 0300070773 to SN 0300087000)	
2A	7013755	1	Replacement Motor (Pump p/n 3600243)	
	7013799	1	Brush Kit - 7013755	
	7004248	1	Replacement Motor w/out Endhead (Pump p/n 3600365/3600379)	
	Use 7004290	1	Replacement Motor with Endhead (was p/n 7011067) (Pump p/n 3600365/3600379)	
	7011065	1	Brush Kit	
2B	7013711	1	Coupling (Pump p/n 3600243)	
	7011063	1	Coupling (Pump p/n 3600365/3600379)	
2C	7013796	1	Replacement Pump (Pump p/n 3600243)	
	See Note	1	Seal Kit (Note: Not Available - Purchase Individual Pieces.)	
	7016700	1	Seal, Oil	
	7016701	1	O-Ring	
	7016702	1	O-Ring	
	7011064	1	Replacement Pump (Pump p/n 3600365/3600379)	
	7011066	1	Seal Kit	
2D	7022203	4	Bolt (Pump to Bracket) (Pump p/n 3600243)	
	7011043	4	Bolt (Pump to Endhead) (Pump p/n 3600365/3600379)	
2E	7016744	2	Bolt (Motor to Bracket) (Pump p/n 3600243)	
	See Note	2	Bolt (Motor to Endhead) (Pump p/n 3600365/3600379) (Note: Not Available for Purchase.)	
2F	7011062	1	Endhead (Pump p/n 3600365/3600379)	
2G	7011044	1	Gasket (Pump p/n 3600365/3600379)	
3	4640908	1	Counterbalance Valve Assembly (SN 0300068000 to SN 0300084827)	

SECTION 2 TURNTABLE

FIGURE 2-1. CONTROL VALVES INSTALLATIONS (CONTINUED)

ITEM #	PART NUMBER	QTY.	DESCRIPTION	REV.
3A	7011328	2	Cartridge, Counterbalance	
	2900770	2	Seal, Kit - 7011328 Cartridge	
4	4640931	1	Manual Descent Valve Assembly (See Items 101-105 for Breakdown) (SN 0300068000 to SN 0300070975)	
5	Not Used			
6	2120146	1	Hydraulic Pressure Filter Assembly (SN 0300068000 to SN 0300084827)	
	2120209	1	Hydraulic Pressure Filter Assembly (SN 0300084827 to SN 0300087000)	
6A	2120150	1	Element, Filter (Used with p/n 2120146)	
	2120210	1	Element, Filter (Used with p/n 2120209)	
6B	7016312	1	Indicator, Clogged (Used with p/n 2120146)	
	7020020	1	Indicator, Clogged (Used with p/n 2120209)	
6C	70000934	1	O-Ring, Filter Bowl (Not Shown - Used with p/n 2120209)	
7		1	Valve Assembly (Brake) Options:	
7A	4641108		SN 0300075606 to SN 0300087000 (See Items 201-202 for Breakdown)	
7B	4640907		SN 0300068000 to SN 0300075606	
7C	7012941	1	Cartridge without Coil	
	7012907	1	Seal Kit - 7012941 Cartridge	
7D	7012944	1	Coil	
8	4640906	1	Valve Assembly (Two Speed) (SN 0300068000 to SN 0300075606 Only)	
8A	7012974	1	Cartridge with Coil	
	7012907	1	Seal Kit - 7012974 Cartridge	
8B	7012944	1	Coil	
8C	See Note	2	Cartridge, Check (Note: Not Available for Purchase.)	
	7012972	1	Seal Kit	
9		AR	Valve Kit (Articulating Jib) Options:	
	Not Required	0	600S	
	4640921	1	600SJ & 660SJ (See ACCESSORY VALVE ASSEMBLY for Breakdown)	
10		AR	4WS Valve Kit Options:	
	Not Required	0	2WS Machines	
	4640922	1	4WS Machines	
	7012774	1	Control Valve Assembly	
	7018912	2	Nut, Coil	
	7012772	2	Coil	
	7024014	2	Pipe, Pole	
	7012773	1	Seal Kit - 7012774 Control Valve	
	7017420	2	Valve, Cartridge	
	7012998	2	Seal Kit - 7017420 Cartridge	
11	0641613	2	Bolt 3/8in-16NC x 1-5/8in	
12	4711600	5	Flatwasher 3/8in Thin	
13	Not Used			

SECTION 2 TURNTABLE

FIGURE 2-1. CONTROL VALVES INSTALLATIONS (CONTINUED)

ITEM #	PART NUMBER	QTY.	DESCRIPTION	REV.
14		AR	Hardware Options:	
	4891800	2	Flatwasher 1/2in Hardened (SN 0300068000 to SN 0300074784)	
	0641514	2	Bolt 5/16in-18NC x 1-3/4in (SN 0300074784 to SN 0300075606)	
	4891800	2	Flatwasher 1/2in Hardened (SN 0300075606 to SN 0300087000)	
15	4711500	AR	Flatwasher 5/16in Thin	
16		AR	Hardware Options:	
	3311501	3	Nut 5/16in-18NC (SN 0300068000 to SN 0300074784)	
	0641506	1	Bolt 5/16in-18NC x 3/4in (SN 0300074784 to SN 0300075606)	
	3311501	3	Nut 5/16in-18NC (SN 0300075606 to SN 0300087000)	
17	2120145	1	Return Filter Assembly (SN 0300068000 to SN 0300084827)	
	2120164	1	Return Filter Assembly (SN 0300084827 to SN 0300087000)	
17A	2120149	1	Element, Filter (Used with p/n 2120146 & p/n 2120164)	
17B	7016313	1	Indicator Switch, Clogged (Used with p/n 2120145)	
	7020021	1	Indicator Switch, Clogged (Used with p/n 2120164)	
18	2220893	1	Fitting, Adapter	
19	0651406	AR	Bolt 1/4in-28NF x 3/4in	
20	4711400	AR	Flatwasher 1/4in Thin	
21	0651406	3	Bolt 1/4in-28NF x 3/4in (SN 0300068000 to SN 0300070975)	
22	0641418	2	Bolt 1/4in-20NC x 2-1/4in	
23	4891400	4	Flatwasher 1/4in Hardened (SN 0300068000 to SN 0300075606)	
24	0641508	2	Bolt 5/16in-18NC x 1in (SN 0300068000 to SN 0300075606)	
25	4891500	2	Flatwasher 5/16in Hardened (SN 0300068000 to SN 0300075606)	
26	3311405	2	Locknut 1/4in-20NC	
27	Not Used			
28	0641608	3	Bolt 3/8in-16NC x 1in	
29	0140001	1	Horn	
30		AR	Harness Assembly (Jib Control) Options (Not Shown - See ELECTRICAL SECTION for Breakdown):	
	Not Required	0	600S	
	4921927	1	600SJ & 660SJ	
31		AR	Harness Assembly (4WS Control) Options: (Not Shown - See ELECTRICAL SECTION for Breakdown):	
	Not Required	0	2WS Machines	
	4921928	1	4WS Machines	
32	Not Used			
33	Not Used			
34	4060918	40in/10m	Flex-Trim	
35	Not Used			
36	0100011	AR	Compound, Locking	

SECTION 2 TURNTABLE

FIGURE 2-1. CONTROL VALVES INSTALLATIONS (CONTINUED)

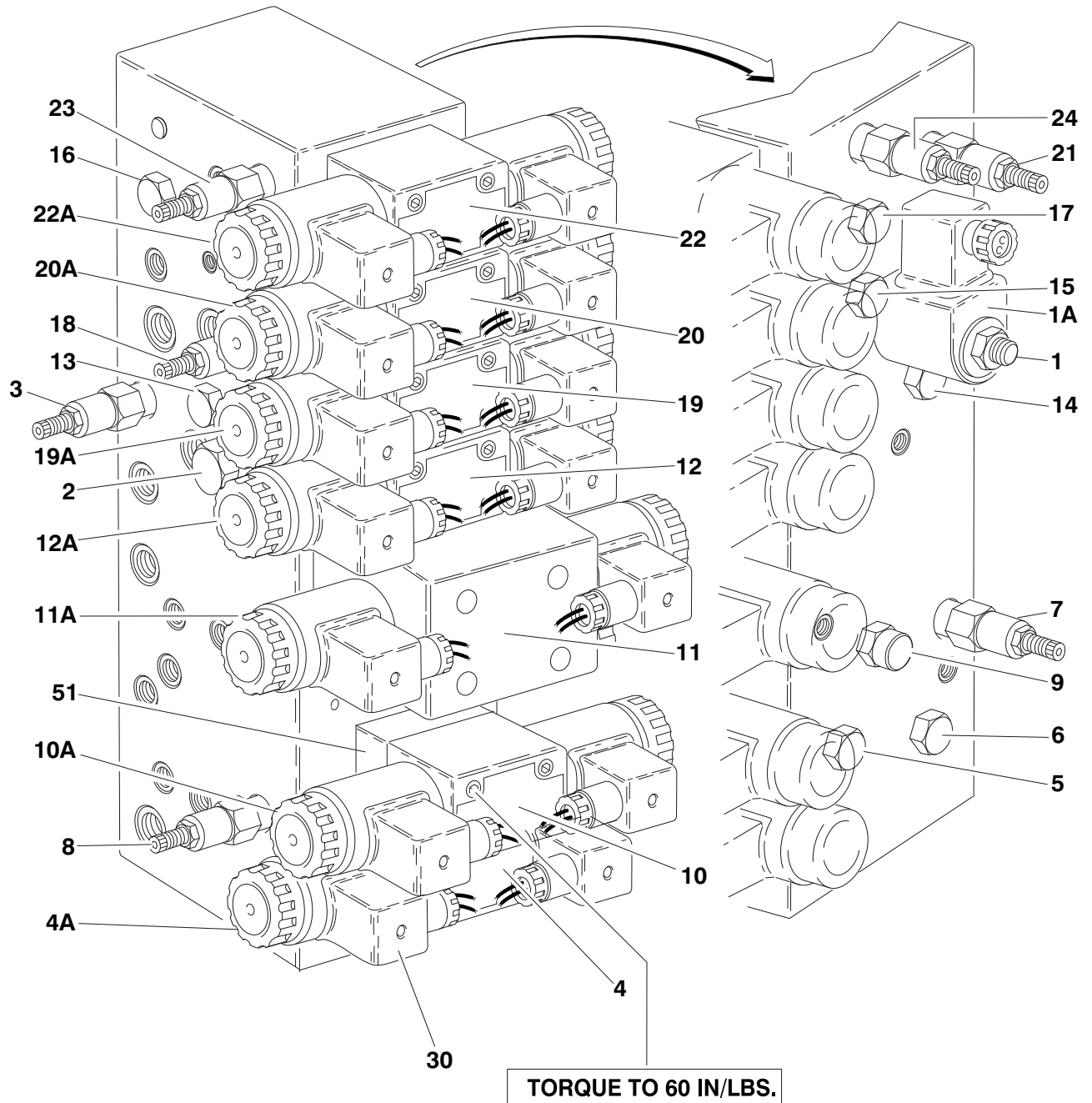
ITEM #	PART NUMBER	QTY.	DESCRIPTION	REV.
	4640931	Ref	MANUAL DESCENT VALVE ASSEMBLY (SN 0300068000 TO SN 0300070975)	
101	7012961	1	Knob	
102	7012954	1	Cartridge, Needle Valve	
	7012953	1	Seal Kit - 7012954 Valve	
103	7012975	1	Cartridge, Check Valve	
	7012540	1	Seal Kit - 7012975 Valve	
104	7012976	1	Cartridge, Relief Valve	
	7012971	1	Seal Kit - 7012971 Valve	
105	7012977	1	Cartridge, Pilot Valve	
	7012918	1	Seal Kit - 7012977 Valve	
	4641108	Ref	VALVE ASSEMBLY (DUAL SELECT BRAKE/2 SPEED)	B
201	7012941	1	Cartridge without Coil	
	7010543	1	Seal Kit - 7012941 Cartridge	
	7012944	1	Coil	
202	7012995	1	Cartridge without Coil	
	7012518	1	Seal Kit - 7012995 Cartridge	
	7012943	1	Coil	

FIGURE 2-1. CONTROL VALVES INSTALLATIONS (CONTINUED)

ITEM #	PART NUMBER	QTY.	DESCRIPTION	REV.

SECTION 2 TURNTABLE

FIGURE 2-2. MAIN CONTROL VALVE ASSEMBLY



SECTION 2 TURNTABLE

FIGURE 2-2. MAIN CONTROL VALVE ASSEMBLY

ITEM #	PART NUMBER	QTY.	DESCRIPTION	REV.
	4641096	Ref	MAIN CONTROL VALVE ASSEMBLY	A
1	7017410	1	Cartridge, Without Coil	
	7012967	1	Seal Kit - 7017410 Cartridge	
1A	7012944	1	Coil	
2	7017464	1	Cartridge, Pressure Sensing	
	7012518	1	Seal Kit	
3	7012912	1	Cartridge (Main Relief)	
	7012998	1	Seal Kit	
4	Use 70001976	1	Control Valve Assembly (Platform Level) (was p/n 7012770)	
	7012773	1	Seal Kit	
4A	7012772	2	Coil	
5	7012914	1	Cartridge, Check Valve	
	7012918	1	Seal Kit - 7012914 Cartridge	
6	7012914	1	Cartridge, Check Valve	
	7012918	1	Seal Kit - 7012914 Cartridge	
7	7012912	1	Cartridge, Relief Valve (Platform Level Backward)	
	7012998	1	Seal Kit - 7012912 Cartridge	
8	7012912	1	Cartridge, Relief Valve (Platform Level Forward)	
	7012998	1	Seal Kit - 7012912 Cartridge	
9	7012989	1	Cartridge, Flow Control	
	7012953	1	Seal Kit - 7012989 Cartridge	
10	Use 70001976	1	Control Valve Assembly (Platform Rotate) (was p/n 7012770)	
	7012773	1	Seal Kit	
10A	7012772	2	Coil	
11	Use 70000579	1	Control Valve Assembly (Upper Tele) (was p/n 7012766)	
		Ref	Note: Refer to Vendor P/N on Valve Nameplate before ordering Parts. P/N 7012766 is RR00567495 or R900567495. P/N 70000579 is R900930080.	
		1	Seal Kit Options:	
	7012769		7012766 Valve	
	70000583		70000579 Valve	
11A		1	Coil Options:	
	7012772		7012766 Valve (was p/n 7012768)	
	70000582		70000579 Valve	
		1	Nut, Coil Options:	
	7018912		7012766 Valve	
	70000580		70000579 Valve	
12	7012775	1	Control Valve Assembly (Flow Control)	
	7012773	1	Seal Kit	
12A	7012772	2	Coil	
	7018912	2	Nut	
	7024015	2	Pipe, Pole	
13	7010542	1	Cartridge, Shuttle	
	7010543	1	Seal Kit - 7010542 Cartridge	
14	7010542	1	Cartridge, Shuttle	
	7010543	1	Seal Kit - 7010542 Cartridge	
15	7010542	1	Cartridge, Shuttle	
	7010543	1	Seal Kit - 7010542 Cartridge	

SECTION 2 TURNTABLE

FIGURE 2-2. MAIN CONTROL VALVE ASSEMBLY (CONTINUED)

ITEM #	PART NUMBER	QTY.	DESCRIPTION	REV.
16	7010542	1	Cartridge, Shuttle	
	7010543	1	Seal Kit - 7010542 Cartridge	
17	7010542	1	Cartridge, Shuttle	
	7010543	1	Seal Kit - 7010542 Cartridge	
18	7012912	1	Cartridge, Relief Valve (Upper Lift Down)	
	7012998	1	Seal Kit - 7012912 Cartridge	
19	7012775	1	Control Valve Assembly (Upper Lift)	
	7012773	1	Seal Kit	
19A	7012772	2	Coil	
	7018912	2	Nut	
	7024015	2	Pipe, Pole	
20	7012775	1	Control Valve Assembly (Swing)	
	7012773	1	Seal Kit	
20A	7012772	2	Coil	
	7018912	2	Nut	
	7024015	2	Pipe, Pole	
21	7012912	1	Cartridge, Relief Valve (Swing)	
	7012998	1	Seal Kit - 7012912Cartridge	
22	7012774	1	Control Valve Assembly (Steer)	
	7012773	1	Seal Kit	
22A	7012772	2	Coil	
	7018912	2	Nut	
	7024014	2	Pipe, Pole	
23	7012912	1	Cartridge, Relief Valve (Steer Left)	
	7012998	1	Seal Kit - 7012912Cartridge	
24	7012912	1	Cartridge, Relief Valve (Steer Right)	
	7012998	1	Seal Kit - 7012912Cartridge	
25 to 29	Not Used			
30	4460499	15	Connector, Din with Diode (Part of Valve Harness)	
	2901763	Ref	ROTATE SANDWICH VALVE KIT	A
51	7021310	1	Block, Valve	

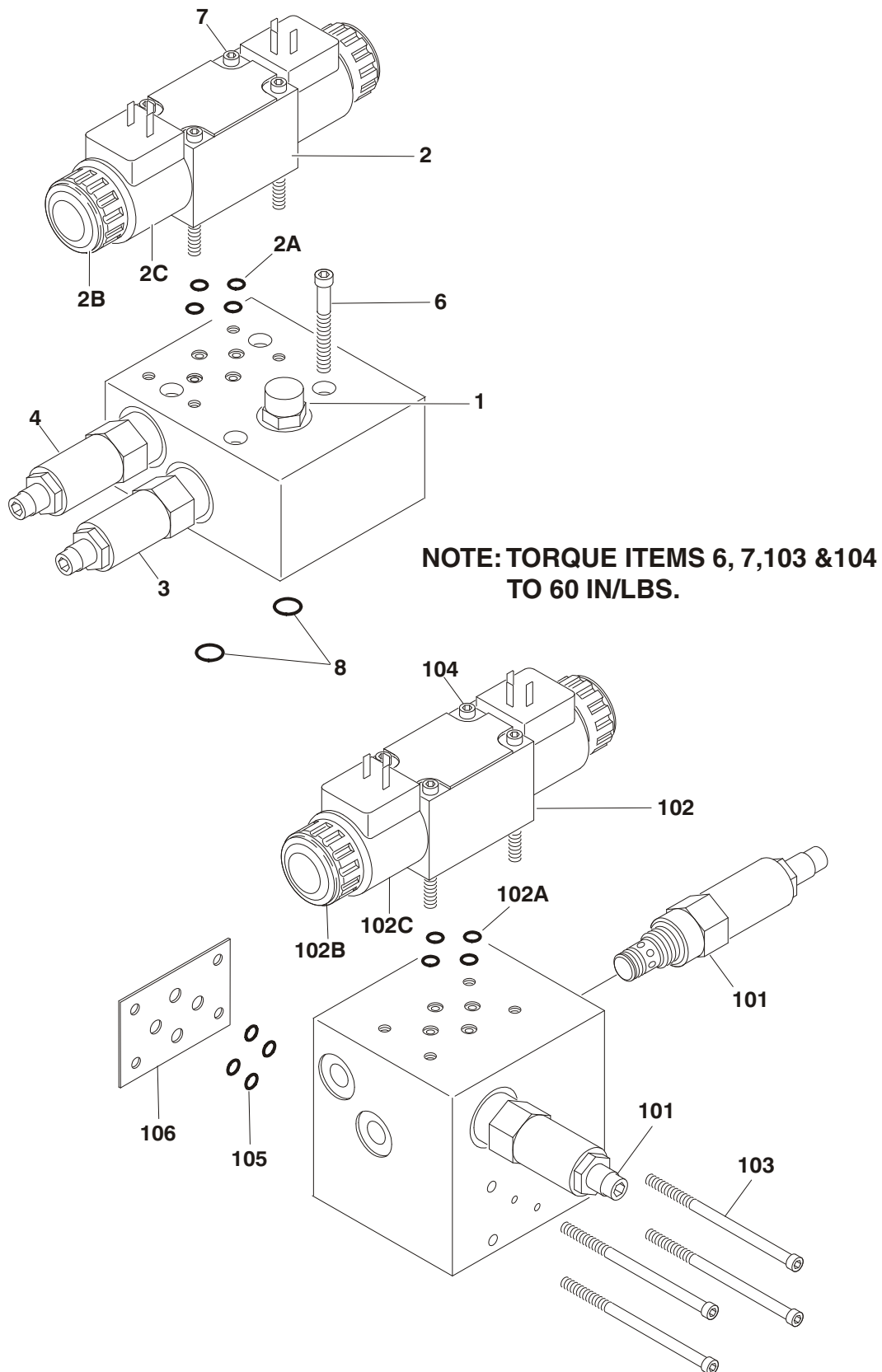
SECTION 2 TURNTABLE

FIGURE 2-2. MAIN CONTROL VALVE ASSEMBLY (CONTINUED)

ITEM #	PART NUMBER	QTY.	DESCRIPTION	REV.

SECTION 2 TURNTABLE

FIGURE 2-3. ACCESSORY VALVE ASSEMBLY



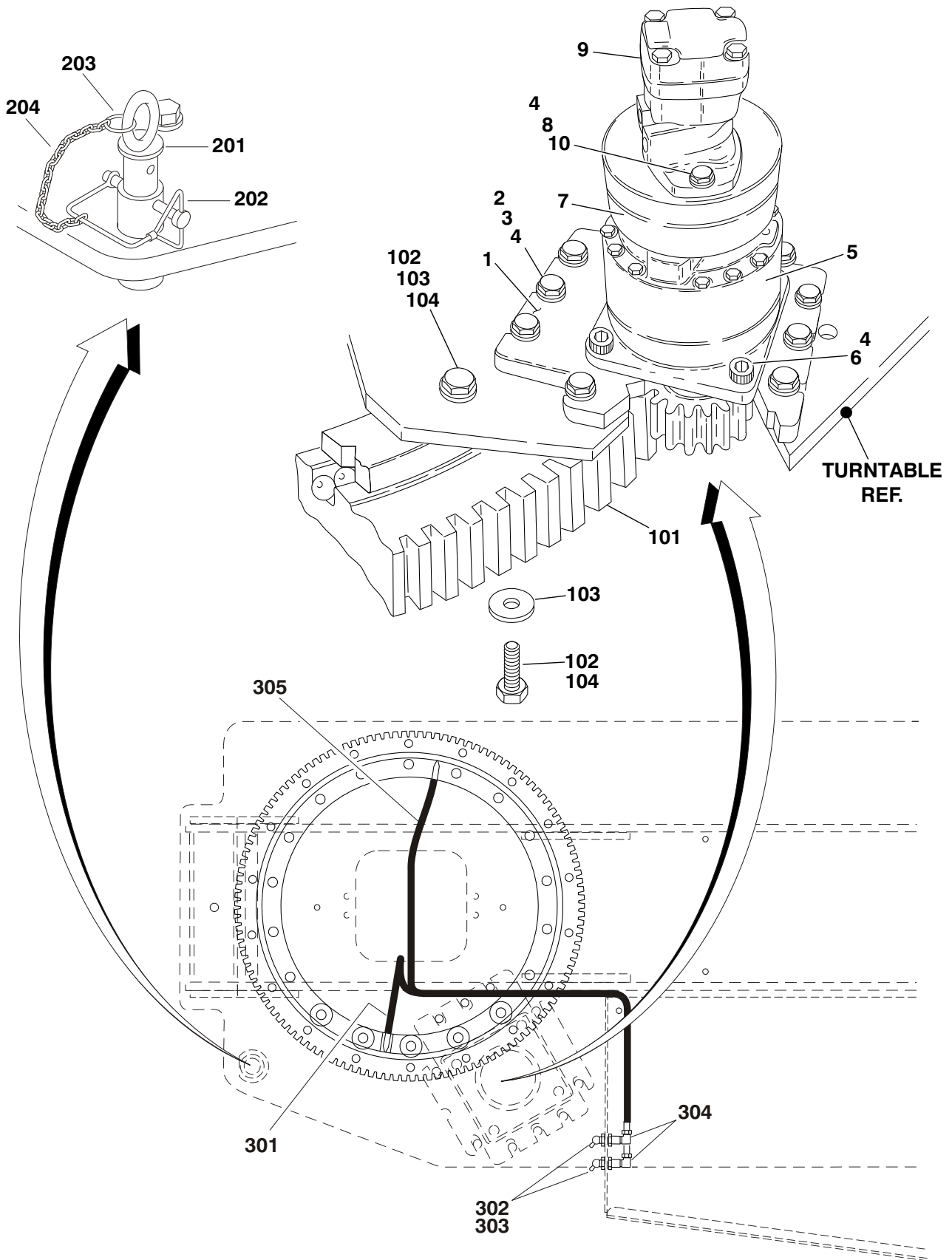
SECTION 2 TURNTABLE

FIGURE 2-3. ACCESSORY VALVE ASSEMBLY

ITEM #	PART NUMBER	QTY.	DESCRIPTION	REV.
		Ref	ACCESSORY VALVE ASSEMBLIES	
	4640921	Ref	ARTICULATING JIB VALVE ASSEMBLY	D
1	7012965	1	Cartridge, Flow Control	
	7012953	1	Seal Kit - 7012965 Cartridge	
2	Use 70001976	1	Directional Control Valve Assembly (was p/n 7012770)	
	7012773	1	Seal Kit	
2A	7018945	4	O-Ring	
2B	7018912	2	Nut	
2C	7012772	2	Coil	
3	7017421	1	Cartridge, Relief	
	7012998	1	Seal Kit - 7017421 Cartridge	
4	7017422	1	Cartridge, Relief	
	7012998	1	Seal Kit - 7017422 Cartridge	
5	4460499	2	Connector, DIN with Diode (Not Shown - Part of Valve Harness)	
6	7012777	4	Capscrew, Socket Head 5/16in-18NC x 2-1/4in (Used to Mount Valve Assembly)	
7	7018942	4	Capscrew, Socket Head #10-24NC x 2in	
8	7012776	2	O-Ring (Used to Mount Main Valve)	
	4640922	Ref	4WS VALVE ASSEMBLY	B
101	7017420	1	Cartridge, Relief	
	7012998	1	Seal Kit - 7017420 Cartridge	
102	7012774	1	Directional Control Valve Assembly	
	7012773	1	Seal Kit	
102A	7018945	4	O-Ring	
102B	7018912	2	Nut	
102C	7012772	2	Coil	
103	7018946	4	Capscrew, Socket Head #10-24NC x 5in (Used to Mount Main Valve)	
104	7018942	4	Capscrew, Socket Head #10-24NC x 2in	
105	7018948	4	O-Ring (Used to Mount Main Valve)	
106	7018947	1	Plate, O-Ring	

SECTION 2 TURNTABLE

FIGURE 2-4. SWING DRIVE, TURNTABLE BEARING & LOCK INSTALLATIONS



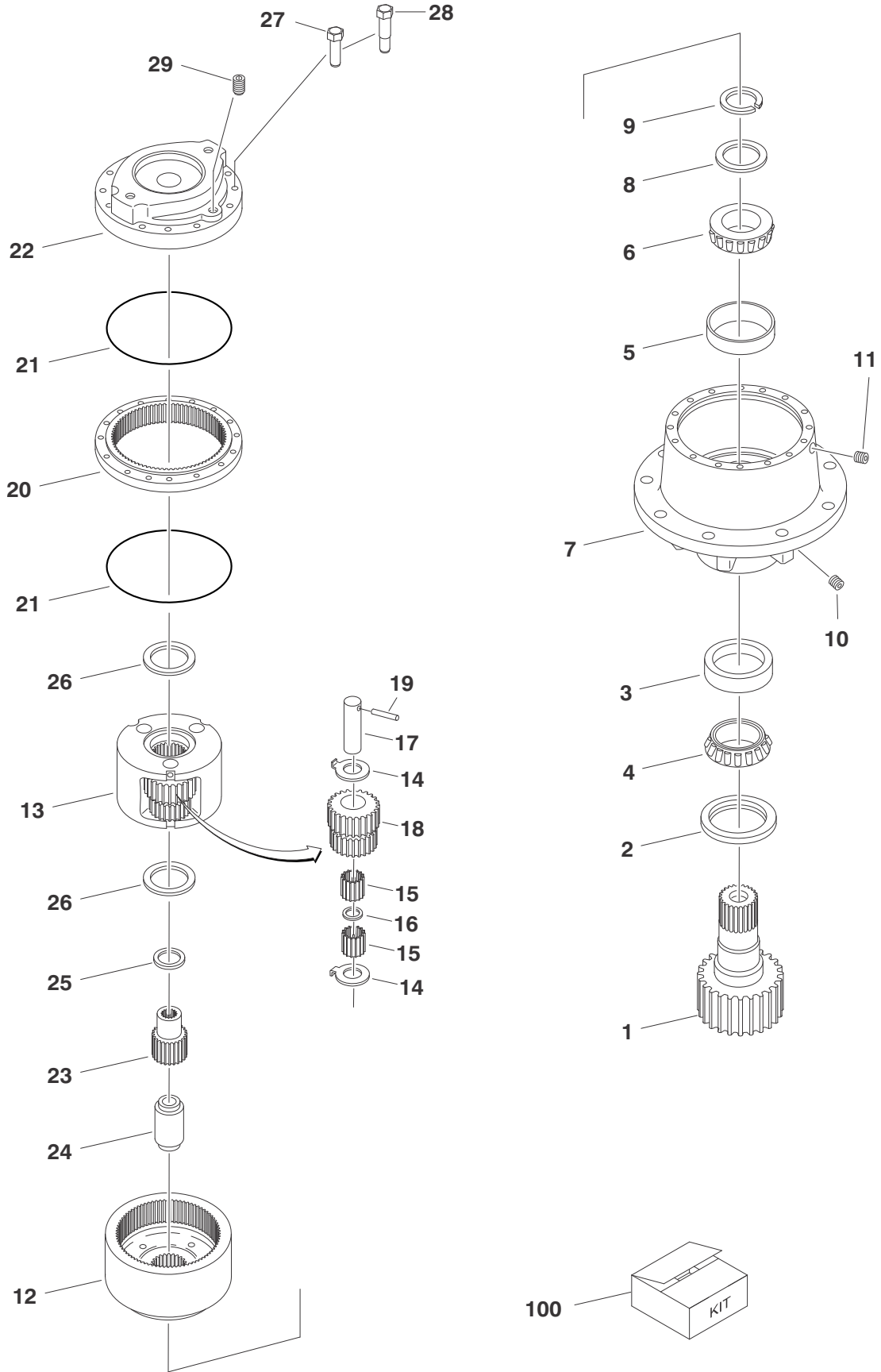
SECTION 2 TURNTABLE

FIGURE 2-4. SWING DRIVE, TURNTABLE BEARING & LOCK INSTALLATIONS

ITEM #	PART NUMBER	QTY.	DESCRIPTION	REV.
	0270329	Ref	SWING DRIVE INSTALLATION	A
1	3537318	1	Plate, Swing Drive Mounting	
2	0642018	10	Bolt 5/8in-11NC x 2-1/4in	
3	4892000	10	Flatwasher 5/8in Hardened	
4	0100011	AR	Compound, Locking	
5	2780205	1	Hub Assembly (See SWING HUB ASSEMBLY for Breakdown)	
6	3932224	2	Capscrew 3/4in-10NC x 1-1/2in	
7	0920119	1	Brake Assembly	
	7007933	2	Gasket, Mounting Face	
	7007990	2	O-Ring, Mounting Face	
	7018612	1	Repair Kit - 0920119 Brake	
		Ref	Note: Other than Gasket and O-Ring, Repair Kit is only part available.	
8	0681836	2	Bolt 1/2in-13NC x 4-1/2in	
9		1	Motor Assembly Options (See SWING MOTOR ASSEMBLIES for Breakdown): (Note: Either p/n may be used as replacement.)	
	3160273		White Roller Stator Motor (Original Equipment)	
	1001110169		Parker Motor (Approved Replacement)	
10	4891800	2	Flatwasher 1/2in Hardened	
	0254798	Ref	TURNTABLE BEARING INSTALLATION	1/A
101	0440207	1	Bearing, Turntable	
102	0682016	36	Bolt 5/8in-11NC X 2in (Grade 8)	
103	4892000	36	Flatwasher 5/8in Hardened	
104	0100019	AR	Compound, Locking	
	0239585	Ref	TURNTABLE LOCK INSTALLATION	B
201	3421627	1	Pin	
202	3421565	1	Pin, Snap	
203	3760170	2	Ring, Quick Release	
204	1260017	9in/23cm	Chain	
	0255316	Ref	REMOTE BEARING LUBE INSTALLATION	3
301	2751095	1	Hose, Grease (SN 030006800 to SN 0300070975)	
302	2180344	AR	Fitting, Bulkhead	
303	2160003	AR	Fitting, Grease 45	
304	2220063	2	Fitting, 90	
305	2751032	1	Hose, Grease	

SECTION 2 TURNTABLE

FIGURE 2-5. SWING HUB ASSEMBLY



SECTION 2 TURNTABLE

FIGURE 2-5. SWING HUB ASSEMBLY

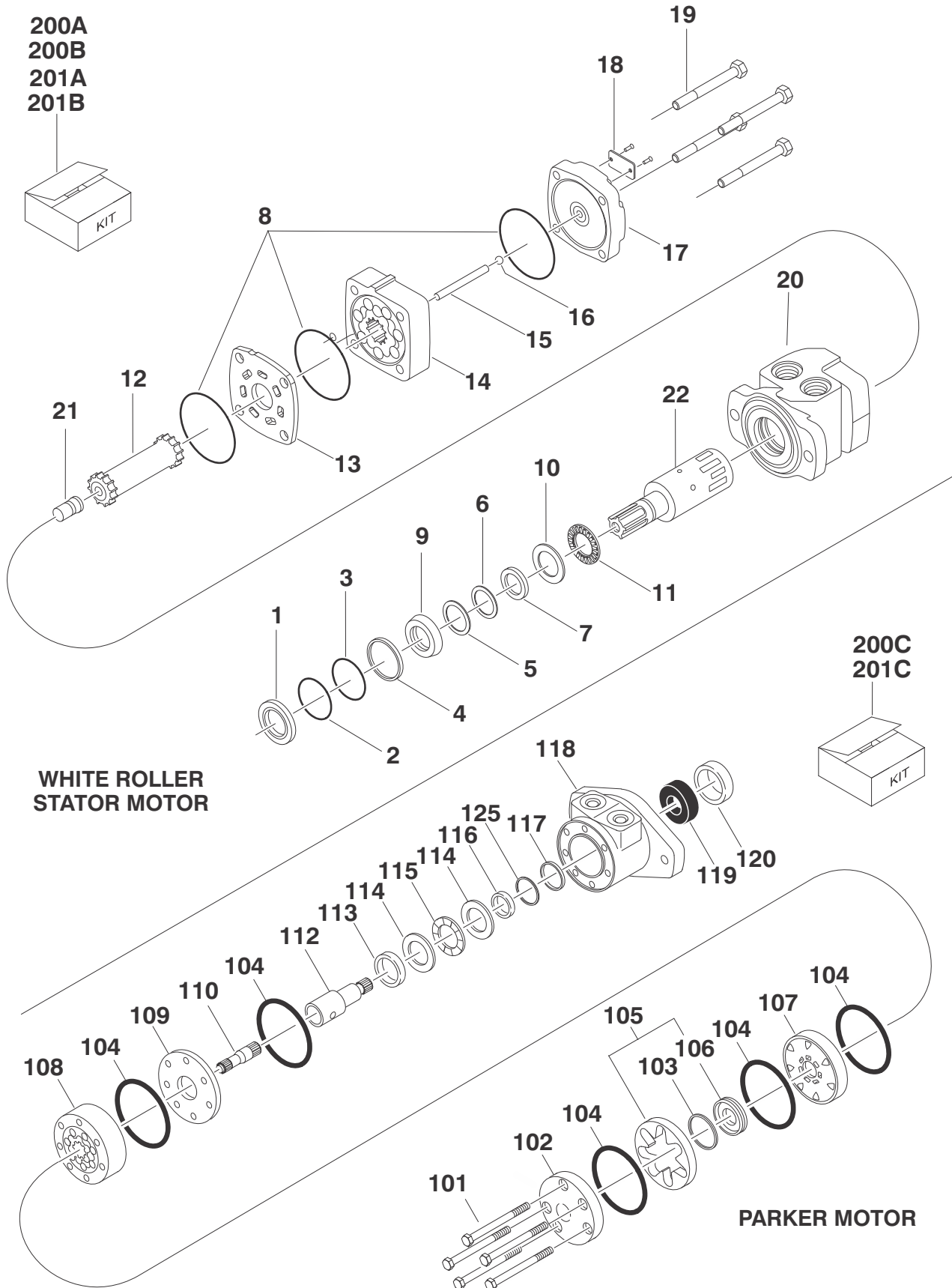
ITEM #	PART NUMBER	QTY.	DESCRIPTION	REV.
	2780205	Ref	SWING HUB ASSEMBLY	—
		Ref	HOUSING ASSEMBLY	
1	7010492	1	Shaft, Output	
2	7000228	1	Seal, Lip	
3	7000255	1	Cup, Bearing	
4	7000256	1	Cone, Bearing	
5	7000257	1	Cup, Bearing	
6	7000258	1	Cone, Bearing	
7	7017089	1	Housing	
8	7007633	1	Thrustwasher	
9	7000229	1	Ring, Retaining	
10	7010494	2	Pipe, Plug	
11	7001928	2	Pipe, Plug	
12	7000246	2	Gear, In O-Ring	

		Ref	CARRIER ASSEMBLY	
13	7001931	1	Carrier	
14	7001985	6	Thrustwasher, Tanged	
15	7001909	96	Bearing, Needle	
16	7000263	3	Spacer, Thrust	
17	7001911	3	Shaft, Planet	
18	7001987	3	Gear, Cluster	
19	7010474	3	Rollpin	
20	7001988	1	Ring Gear	
21	7000230	1	O-Ring (Black)	
	7017070	1	O-Ring (White)	
22	7000209	1	Cover, Input	
23	7010488	1	Gear, Sun	
24	7000269	1	Spacer, Input	
25	7000270	1	Thrustwasher	
26	7000253	2	Thrustwasher	
27	7000217	8	Bolt	
28	7000214	4	Bolt, Shoulder	
29	2200222	1	Pipe, Plug	

100	7024100	1	Seal Kit (Includes Items 2, 9, 21 & 26)	

SECTION 2 TURNTABLE

FIGURE 2-6. SWING MOTOR ASSEMBLIES



SECTION 2 TURNTABLE

FIGURE 2-6. SWING MOTOR ASSEMBLIES

ITEM #	PART NUMBER	QTY.	DESCRIPTION	REV.
		Ref	Note: Original Equipment may have been replaced with Service Replacement swing motor. Identify brand before ordering parts.	
	3160273	Ref	SWING MOTOR ASSEMBLY (WHITE ROLLER STATOR) (ORIGINAL EQUIPMENT)	B
1	Use 7005881	1	Seal, Dust	
2	Use 7005881	1	Ring, Split Wire	
3	Use 7005881	1	Shim, Metal Back-Up	
4	Use 7005881	1	Seal, High Pressure	
5	Use 7005881	1	Shim, Metal Back-Up	
6	Use 7005881	1	Seal, Teflon Back-Up	
7	Use 7005881	1	Seal, Shaft	
8	Use 7005881	3	Seal, Body	
9	Use 7005882	1	Carrier, Seal	
10	Use 7005882	1	Thrustwasher	
11	7016422	1	Bearing, Thrust	
12	7005889	1	Link, Drive	
13	7016423	1	Plate, Wear	
14	7005890	1	Rotor Assembly	
15	7005891	1	Pin, Drive Link	
16	Use 7016424	1	Ball	
17	Use 7016424	1	Cover, End	
18	See Note	1	Tag, I.D. (Note: Not Available for Purchase.)	
19	7005892	4	Bolt	
20	7016425	1	Housing	
21	7005893	1	Plug, Cooling	
22	7016426	1	Shaft	
	1001110169	Ref	SWING MOTOR ASSEMBLY (PARKER) (SERVICE REPLACEMENT)	A
101	70002243	5	Bolt	
102	7004035	1	Cover, End	
103	Use 7024389	1	Seal, Commutator	
104	Use 7024389	5	Seal, Ring	
105	7024453	1	Commutator and Ring Assembly	
106	Use 7024453	1	Ring	
107	7024379	1	Manifold	
108	70002208	1	Rotor Set	
109	7024380	1	Plate, Wear	
110	83304150	1	Link, Drive	
111	Not Used			
112	7024395	1	Shaft, Coupling	
113	7024381	1	Bushing, Bronze	
114	7004043	2	Thrustwasher	
115	7004044	1	Bearing, Thrust	
116	Use 7024389		Seal, Inner	
117	Use 7024389	1	Washer, Back-up	

SECTION 2 TURNTABLE

FIGURE 2-6. SWING MOTOR ASSEMBLIES (CONTINUED)

ITEM #	PART NUMBER	QTY.	DESCRIPTION	REV.
118	See Note	1	Housing (Note: Not Available - Purchase Complete Swing Motor Assembly.)	
119	7024390	1	Bearing	
120	Use 7024389	1	Seal	
121 to 124	Not Used			
125	Use 7024389	1	Washer, Backup	
		Ref	SEAL & REPAIR KITS	
200		AR	Seal Kit Options: White Roller Stator Options:	
200A	7005881	1	Seal Kit (Includes Items 1-8)	
200B	7005882	1	Seal Carrier Kit (Includes Items 9 & 10)	
			Parker Options:	
200C	7024389	1	Seal Kit (Includes Items 103, 104, 116,117,120 & 125)	
201		AR	Repair Kit Options: White Roller Stator Options:	
201A	7016424	1	End Cover Kit (Includes Items 16 & 17)	
201B	7016427	1	Housing/Shaft Kit (Includes Items 20-22)	
201C	See Note		Parker Options (Note: Purchase Individual Components)	

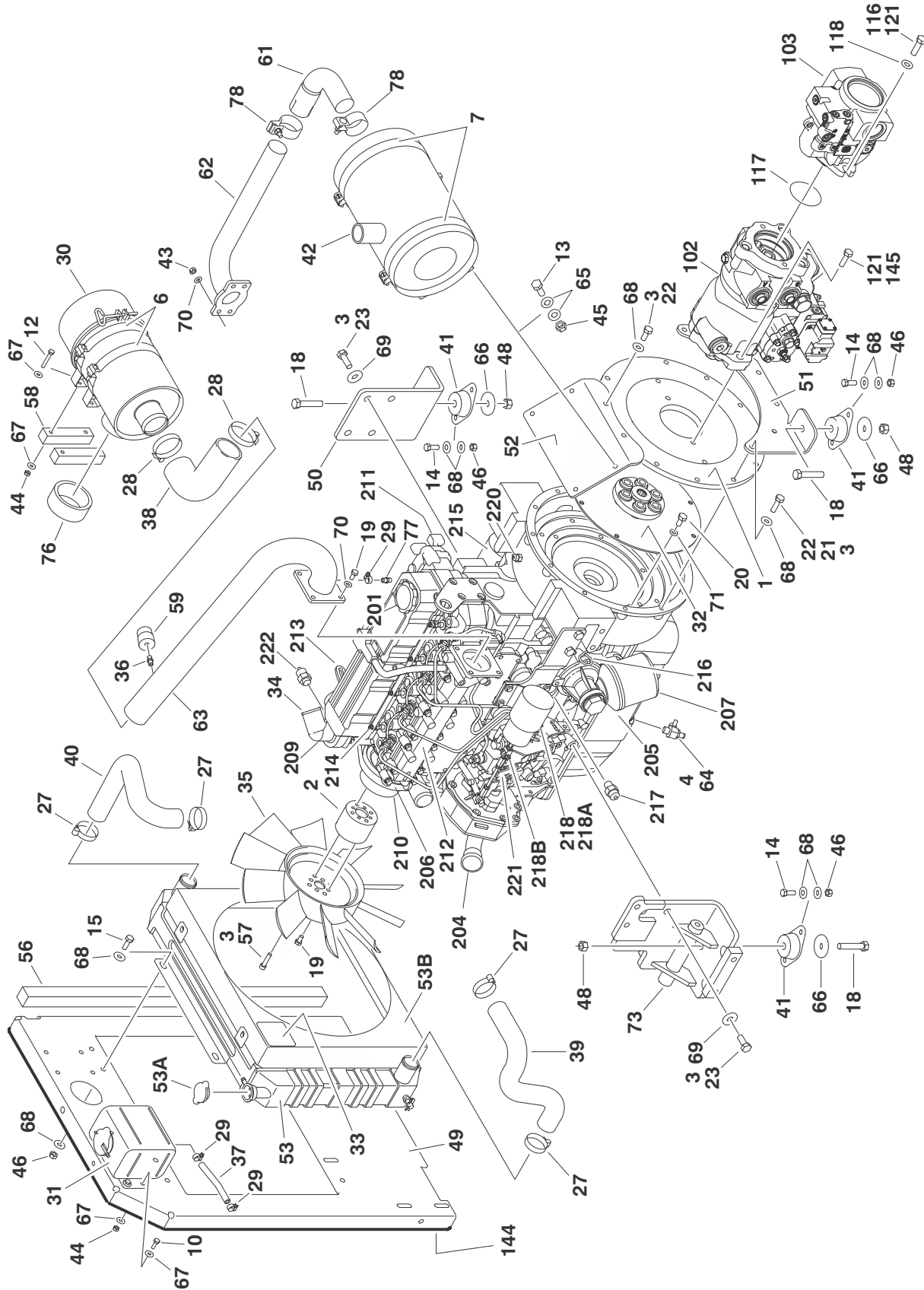
SECTION 2 TURNTABLE

FIGURE 2-6. SWING MOTOR ASSEMBLIES (CONTINUED)

ITEM #	PART NUMBER	QTY.	DESCRIPTION	REV.

SECTION 2 TURNTABLE

FIGURE 2-7. CATERPILLAR ENGINE INSTALLATION



SECTION 2 TURNTABLE

FIGURE 2-7. CATERPILLAR ENGINE INSTALLATION

ITEM #	PART NUMBER	QTY.	DESCRIPTION	REV.
		Ref	CATERPILLAR ENGINE ASSEMBLIES	
	0272796	Ref	SN 0300068000 to SN 0300084827	F
	0274491	Ref	SN 0300084827 to SN 0300087000	B
1	0080181	1	Adaptor, Pump Mounting Plate	
2	0080243	1	Adaptor, Fan Spacer	
3	0100011	AR	Compound, Locking	
4	0100020	AR	Sealant, Thread	
5	0181727	1	Hold-Down, Battery	
6	0340041	2	Band, Mounting	
7	0340046	2	Band, Muffler	
8	0400075	1	Battery	
9	0630498	2	Rod, Hold-Down	
10	0641406	4	Bolt 1/4in-20NC x 3/4in	
11	0641407	6	Bolt 1/4in-20NC x 7/8in	
12	0701414	4	Bolt 1/4in-20NC x 3/4in	
13	0641507	4	Bolt 5/16in-18NC x 7/8in	
14	0641608	8	Bolt 3/8in-16NC x 1in	
15	0641609	4	Bolt 3/8in-16NC x 1-1/8in	
16	0641610	4	Bolt 3/8in-16NC x 1-1/4in	
17	0641808	1	Bolt 1/2in-13NC x 1in	
18	0641828	4	Bolt 1/2in-13NC x 2-1/2in	
19	0700808	8	Bolt M8 x 16mm	
20	0701010	8	Bolt M10 x 20mm	
21	0701012	4	Bolt M10 x 25mm	
22	0701015	8	Bolt M10 x 35mm	
23	0701214	8	Bolt M12 x 30mm	
24	0940070	1	Bumper, Rubber	
25	0961986	2	Bearing, Flange	
26	1060637	1	Lanyard	
27		4	Clamp, Hose Options: 1320012 SN 0300068000 to SN 0300084827 8405104 SN 0300084827 to SN 0300087000	
28	1320016	2	Clamp, Hose	
29		3	Clamp, Hose Options: 1320022 SN 0300068000 to SN 0300084827 8405009 SN 0300084827 to SN 0300087000	
30	1340060	1	Air Cleaner Assembly	
	7012664	1	Element, Air Cleaner	
31	1580011	1	Container, Coolant Overflow	
32	1660239	1	Coupling, Pump	
33	1703162	2	Decal - Fan Blade	
34	2000194	1	Caterpillar Engine Assembly	
35	2060025	1	Fan	
36	2180798	1	Fitting (SN 0300068000 to SN 0300084827)	
37	2720058	.33ft	Hose	
38	2720434	1	Elbow, Rubber	
39	2720509	1	Hose, Radiator (Bottom)	
40	2720510	1	Hose, Radiator (Top)	

SECTION 2 TURNTABLE

FIGURE 2-7. CATERPILLAR ENGINE INSTALLATION (CONTINUED)

ITEM #	PART NUMBER	QTY.	DESCRIPTION	REV.
41	3200406	4	Mount, Engine	
42	3220113	1	Muffler, Spark Arresting	
43	3290801	4	Nut M8 x 1.25	
44	3311405	14	Locknut 1/4in-20NC	
45	3311505	4	Locknut 5/16in-18NC	
46	3311605	18	Locknut 3/8in-16NC	
47	3311801	1	Nut 1/2in-13NC	
48	3311805	4	Locknut 1/2in-13NC	
49	3539872	1	Plate, Radiator Mounting	
50	3574206	1	Plate, Motor Mount	
51	3574207	1	Plate, Engine Mount (Rear)	
52	3574208	1	Bracket, Muffler	
53	3620047	1	Radiator	
53A	7027412	1	Cap, Radiator	
53B	70004182	1	Shroud, Fan	
54	3740067	3	Relay, Solenoid Assembly	
55	3960468	1	Seal, Foam Gasket	
56	3960469	1	Seal, Foam Gasket	
57	4031911	4	Bolt M8 x 35mm	
58	4220191	2	Block, Spacer	
59	4360392	1	Switch, Restrictor Indicator (SN 0300068000 to SN 0300084827)	
60	Not Used			
61	4567073	1	Tube, Exhaust	
62	4568721	1	Exhaust Tube Weldment	
63		1	Tube, Air Intake Weldment Options: SN 0300068000 to SN 0300084827 SN 0300084827 to SN 0300087000	
64	4568788			
64	4640750	1	Valve, Oil Drain	
65	4711500	8	Flatwasher 5/16in Thin	
66	4740274	4	Washer, Snubbing	
67	4751400	28	Flatwasher 1/4in Regular	
68	4751600	48	Flatwasher 3/8in Regular	
69	4751800	8	Flatwasher 1/2in Regular	
70	4811900	8	Flatwasher M8	
71	4832000	8	Lockwasher M10	
72	4846790	1	Tray Engine	
73	4846805	1	Mount, Engine/Generator - Left	
74	4922737	1	Harness, Relay Ground	
75	0721006	1	Bolt #10-24NC x 3/4in	
76	2720515	1	Seal, Air Cleaner	
77	2220767	1	Fitting	
78	70001017	2	Clamp	

SECTION 2 TURNTABLE

FIGURE 2-7. CATERPILLAR ENGINE INSTALLATION (CONTINUED)

ITEM #	PART NUMBER	QTY.	DESCRIPTION	REV.
		Ref	CATERPILLAR ENGINE INSTALLATIONS	
	0273521	Ref	SN 0300068000 TO SN 0300075606	3
	0273594	Ref	2WD - SN 0300075606 TO SN 0300084827	2
	0274492	Ref	2WD - SN 0300084827 TO SN 0300087000	1
	0273595	Ref	4WD - SN 0300075606 TO SN 0300084827	2
	0274493	Ref	4WD - SN 0300084827 TO SN 0300087000	1
101	Not Used			
102		1	Piston Pump Assembly Options:	
	3600260		SN 0300068000 to SN 0300075606 (See PISTON PUMP ASSEMBLY for Breakdown)	
	3600388		2WD - SN 0300075606 to SN 0300087000 (See PISTON PUMP ASSEMBLY for Breakdown)	
	3600381		4WD - SN 0300075606 to SN 0300087000 (See PISTON PUMP ASSEMBLY for Breakdown)	
103	3600242	1	Gear Pump Assembly (See GEAR PUMP ASSEMBLY for Breakdown)	
104	3422446	1	Pin, Pivot	
105	3841143	1	Keeper, Pin	
106	3422532	1	Pin, Hitch	
107	2902296	1	Battery Cable Kit	
107A	7027000	1	Cable, Battery (Red)	
		Ref	Note: Machines SN 0300068000 to SN 0300087000 were built with Revisions A or B Cable Kit. Replacement p/n 7027000 will incorporate Item 107D. Discard Item 107D and install per illustration.	
107B	7027004	1	Cable, Battery (Black)	
107C	7027002	1	Cable (Red)	
107D	7027001	1	Cable (Red) (No Longer Part of 2902296 Kit)	
107E	7027003	1	Cable (Black)	
108	1060904	1	Cable, Battery	
109	4922737	1	Harness, Relay Ground	
110	0642010	1	Bolt 5/8in-11NC x 1-1/4in	
111	4752000	1	Flatwasher 5/8in Regular	
112	1320223	3	J-Clip 1/2in	
113	0641606	3	Bolt 3/8in-16NC x 3/4in	
114	4711600	3	Flatwasher 3/8in Thin	
115	4060805	2ft/0.7mm	Flex-Trim 1/4in	
116	3931620	2	Bolt 3/8in-16NC x 1-1/4in	
117	3790152	1	O-Ring	
118	4891600	2	Flatwasher 3/8in Hardened	
119	3380429	1	Panel, Rubber	
120	3539957	2	Plate, Support	
121	0100011	AR	Compound, Locking	
122	0100020	AR	Sealant, Thread	
123	2220273	2	Fitting, Reducer	
124	2180536	2	Fitting, Straight	
125	2220313	1	Fitting,90	
126	2750532	6ft./1.8m	Hose 3/8in	
127	2220250	1	Fitting, Reducer	

SECTION 2 TURNTABLE

FIGURE 2-7. CATERPILLAR ENGINE INSTALLATION (CONTINUED)

ITEM #	PART NUMBER	QTY.	DESCRIPTION	REV.
128	2220549	1	Fitting, 90	
129	2720271	15ft./4.6m	Hose 3/16in	
130	2220794	1	Fitting, Barbed	
131	2720058	16ft/4.9m	Hose	
132	4751400	4	Flatwasher 1/4in Regular	
133	0641608	2	Bolt 3/8in-16NC x 1in	
134	3311405	1	Locknut 1/4in-20NC	
135	0641507	5	Bolt 5/16in-18NC x 1-1/4in	
136	3311505	8	Locknut 5/16in-18NC	
137	0641407	1	Bolt 1/4in-20NC x 7/8in	
138	0641808	1	Bolt 1/2in-13NC x 1in	
139	1320022	7	Clamp, Hose	
140	1701505	1	Decal - Diesel (Not Shown - Located on Hood)	
141	0641610	1	Bolt 3/8in-16NC x 1-1/4in	
142	0641514	3	Bolt 5/16in-18NC x 1-3/4in	
143	4751500	3	Flatwasher 5/16in Regular	
144	3960389	5ft/1.5m	Seal, Hood	
145	0641812	2	Bolt 1/2in-13NC x 1-3/4in	
	2000194	Ref	ENGINE COMPONENTS	D
201	7026800	1	Cap Oil Filler	
	7026801	1	Gasket, Valve Cover	
202	7026802	1	Flywheel	
	7026803	1	Gear, Ring (112 Teeth)	
203	7026804	1	Gasket (Not Shown - Between Flywheel Housing & Engine Block)	
	7026805	1	Seal (Not Shown - Rear of Flywheel Housing)	
204	7026806	1	Cap, Filler	
	7026807	1	Seal, Oil (Located in Front Housing)	
205	7026808	1	Plug, Oil Pan	
	7026809	1	Gasket, Oil Pan	
206	7026810	1	V-Belt	
207	7026811	1	Filter, Oil	
			Note: Machines with SkyPower use Remote Mounted Oil Filter - See SPECIAL OPTIONS SECTION. The same oil filter is used for all applications.	
	7026812	1	O-Ring (Between Bolt & Oil Filter Bracket)	
	7026813	1	O-Ring (Between Oil Filter Bracket & Engine Block)	
208	7026819	1	Engine Cooler Assembly (Not Shown)	
	7026816	2	O-Ring (Between Cover & Cooler)	
	7026817	4	O-Ring (Between Cover & Cooler)	
	7026818	1	Gasket (Between Cover & Engine Block)	
209	7026822	1	Thermostat	
	7026821	1	Gasket (Between Regulator & Thermostat Housing)	
	7026820	1	Gasket (Between Regulator & Engine Head)	
210		1	Pump, Water Options:	
		Ref	Note: Customer must verify ENGINE SERIAL NUMBER before ordering replacement water pump.	
	7026823		SN 0300075606 to Engine SN 34400833	
	70001120		Engine SN 34400833 to Present	

SECTION 2 TURNTABLE

FIGURE 2-7. CATERPILLAR ENGINE INSTALLATION (CONTINUED)

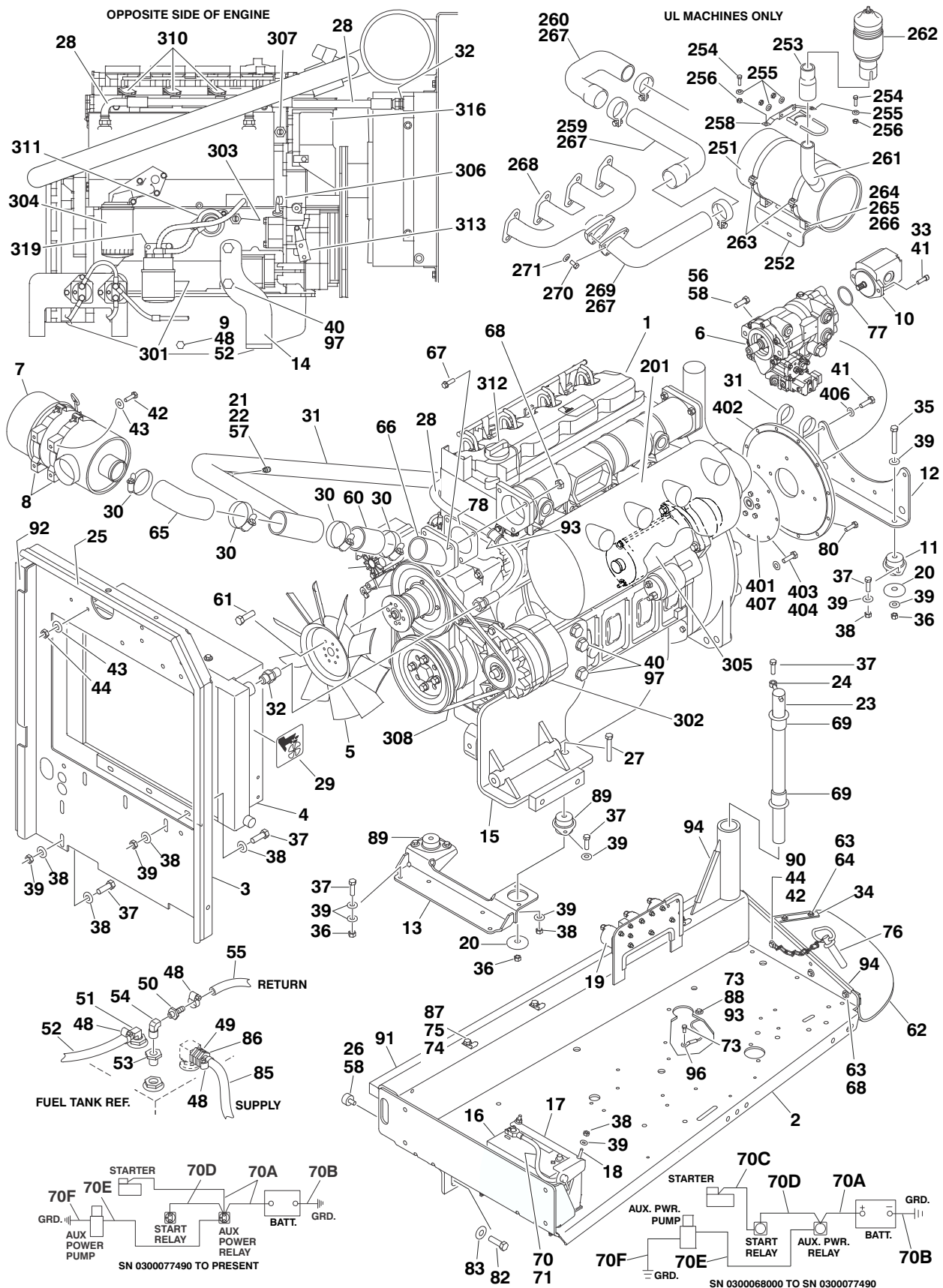
ITEM #	PART NUMBER	QTY.	DESCRIPTION	REV.
210 cont'd	70001742	1	Pulley, Water Pump	
	7026824	1	Gasket (Between Pump & Pump Cover)	
	7026825	1	Gasket (Between Pump Cover & Engine Block)	
211	7026826	1	Gasket, Exhaust Manifold	
	7026827	1	Gasket, Exhaust	
212	7026829	1	Gasket, Intake Manifold	
	7026828	1	Gasket, Intake	
213	7026831	1	Alternator	
214	7026832	4	Plug, Glow	
215	7026833	1	Starter	
216	7026834	1	Dipstick Oil Level	
217	1001097554	1	Switch, Oil Pressure (was p/n7026844)	
218	1600361	1	Actuator/Linkage Assembly - Throttle	
218A	Use 1600361		Actuator & Electrical Connector Kit (was p/n 7026842)	
	7026835	1	Connector, Actuator	
218B	7026843		Linkage Kit	
219	Not Used			
220	7026841	1	Sensor, Speed Sensor	
	7026836	1	Connector, Speed Sensor	
221	7026839	1	Pump, Fuel Supply	
222	7026840	1	Sensor, Water Temperature	
	7026882	1	Seal, Sensor	
223	Use 7026887	1	Mounting Bracket, Actuator (was p/n 0902910 & 0903220)	
224	7026814	1	Valve, Relief - Engine Oil (Not Shown)	
	7026815	1	Gasket, Relief Valve - Engine Oil (Not Shown)	
225	See Note	1	Fuel Filter/Water Separator (Note: Not Available for Purchase.)	
	7026830	1	Element, Fuel Filter/Water Separator	
226	Use 2580055	1	Block Heater Kit (Not Shown) (was p/n 7026845)	
	7026838	1	Gasket, Block Heater (Not Shown)	
	70002841	1	Cord, Electrical (Not Shown)	

FIGURE 2-7. CATERPILLAR ENGINE INSTALLATION (CONTINUED)

ITEM #	PART NUMBER	QTY.	DESCRIPTION	REV.

SECTION 2 TURNTABLE

FIGURE 2-8. DEUTZ ENGINE INSTALLATION (SN 0300068000 TO SN 0300077490)



SECTION 2 TURNTABLE

FIGURE 2-8. DEUTZ ENGINE INSTALLATION (SN 0300068000 TO SN 0300077490)

ITEM #	PART NUMBER	QTY.	DESCRIPTION	REV.
		Ref	DEUTZ ENGINE INSTALLATIONS	
	0270763	Ref	SN 0300068000 TO SN 0300075606	9/I
	0273593	Ref	2WD - SN 0300075606 TO SN 0300077490	2/B
	0273072	Ref	4WD - SN 0300075606 TO SN 0300077490	3/C
1	2000189	1	Engine - Deutz F4M1011F Diesel	
2	4845404	1	Tray Engine	
3	3539872	1	Plate, Radiator Mounting	
4	3620033	1	Cooler, Oil	
5	2060025	1	Fan	
6		1	Piston Pump Assembly Options:	
	3600260		SN 0300068000 to SN 0300075606 (See PISTON PUMP ASSEMBLY for Breakdown)	
	3600388		2WD - SN 0300075606 to SN 0300077490 (See PISTON PUMP ASSEMBLY for Breakdown)	
	3600381		4WD - SN 0300075606 to SN 0300077490 (See PISTON PUMP ASSEMBLY for Breakdown)	
7	1340060	1	Air Cleaner Assembly	
	7012664	1	Element, Air Cleaner (Not Shown)	
8	0340041	2	Band, Mounting	
9	4640751	1	Valve, Oil Drain	
10	3600242	1	Gear Pump Assembly (See GEAR PUMP ASSEMBLY for Breakdown)	
11	3200378	2	Mount, Rubber Engine (Rear)	
12	3537420	1	Bracket, Engine Mounting - Rear	
13	3539971	1	Bracket, Engine Mounting - Front	
14	3537416	1	Support, Engine - Right	
15	4846566	1	Support, Engine - Left	
16	0400075	1	Battery	
17	0181727	1	Hold-Down, Battery	
18	0630498	2	Rod, Hold-Down	
19	3740067	2	Relay	
20	4740274	4	Washer, Snubbing	
21	4360392	1	Switch, Restrictor Indicator	
22	2180798	1	Fitting	
23	3422446	1	Pin, Pivot	
24	3841143	1	Keeper, Pin	
25	3960389	5ft/1.5m	Seal	
26	0940070	1	Bumper, Rubber	
27	0641826	2	Bolt 1/2in-13NC x 3-1/4in	
28	2720398	2	Hose, Oil Cooler	
29	1703162	2	Nameplate - Fan Caution	
30	1320016	4	Clamp, Hose	
31	4567815	1	Tuning Tube Weldment	
32	2220451	2	Fitting, Straight	
33	3931620	2	Capscrew 3/8in-16NC x 1-1/4in	
34	3539957	2	Plate, Hold Down	
35	0641818	2	Bolt 1/2in-13NC x 2-1/4in	
36	3311805	4	Locknut 1/2in-13NC	
37	0641610	21	Bolt 3/8in-16NC x 1-1/4in	

SECTION 2 TURNTABLE

FIGURE 2-8. DEUTZ ENGINE INSTALLATION (SN 0300068000 TO SN 0300077490)

ITEM #	PART NUMBER	QTY.	DESCRIPTION	REV.
38	3311605	22	Locknut 3/8in-16NC x 1-1/4in	
39	4751600	44	Flatwasher 3/8in Regular	
40	0701414	6	Bolt 1/4in-20NC x 3/4in	
41	4891600	2	Flatwasher 3/8in Hardened	
42	0641407	10	Bolt 1/4in-20NC x 7/8in	
43	4751400	17	Flatwasher 1/4in Regular	
44	3311405	10	Locknut 1/4in-20NC	
45 to 47	Not Used			
48	1320022	6	Clamp, Hose	
49	2220273	1	Fitting, Reducer	
50	2180536	1	Fitting, Straight	
51	2220313	1	Fitting,90	
52	2750532	6ft./1.83m	Hose 3/8in	
53	2220250	1	Fitting, Reducer	
54	2220459	1	Fitting, 90	
55	2720271	13.5ft./4m	Hose 3/16in	
56	0641812	2	Bolt 1/2in-13NC x 1-1/2in	
57	0100020	AR	Sealant, Thread	
58	0100011	AR	Compound, Locking	
59	Not Used			
60	2720449	1	Coupling, Rubber Intake	
61	0700808	4	Bolt M8 x 16mm	
62	3380429	1	Panel, Rubber	
63	0641508	3	Bolt 5/16in-18NC x 1-1/4in	
64	0641514	3	Bolt 5/16in-18NC x 1-3/4in	
65	2720434	1	Elbow, Rubber	
66	4845395	1	Air Intake Adapter Weldment	
67	0641510	3	Bolt 5/16in-18NC x 1-1/4in	
68	3311505	AR	Locknut 5/16in-18NC	
69	0961986	2	Bushing, Flanged	
70	2901358	1	Battery Cable Kit (SN 0300068000 to SN 0300075606)	
	2902296	1	Battery Cable Kit (SN 0300075606 to SN 0300077490)	
70A	7016800	1	Cable, Battery (Red) (Kit p/n 2901358)	
	7027000	1	Cable, Battery (Red) (Kit p/n 2902296)	
		Ref	Note: Machines SN 0300068000 to SN 0300077490 were built with Revisions A or B Cable Kit. Replacement p/n 7027000 will incorporate Item 70D. Discard Item 70D and install per illustration.	
70B	7016812	1	Cable, Battery (Black) (Kit p/n 2901358)	
	7027004	1	Cable, Battery (Black) (Kit p/n 2902296)	
70C	7016802	1	Cable (Red) (Kit p/n 2901358)	
	Not Required		Kit p/n 2902296	
70D	7016803	1	Cable (Red) (Kit p/n 2901358)	
	7027001	1	Cable (Red) (Kit p/n 2902296) (No Longer Part of 2902296 Kit)	
70E	7016824	1	Cable (Red) (Kit p/n 2901358)	
	7027003	1	Cable (Black) (Kit p/n 2902296)	
70F	7027002	1	Cable (Red) (Kit p/n 2902296)	
71	4460611	1	Terminal, Battery Jumper Post (SN 0300068000 to SN 0300075606)	

SECTION 2 TURNTABLE

FIGURE 2-8. DEUTZ ENGINE INSTALLATION (SN 0300068000 TO SN 0300077490)

ITEM #	PART NUMBER	QTY.	DESCRIPTION	REV.
72	Not Used			
73	0641808	2	Bolt 1/2in-13NC x 1in	
74	1320223	3	J-Clip 1/2in	
75	0641606	3	Bolt 3/8in-16NC x 3/4in	
76	3422532	1	Pin, Hitch	
77	3790152	1	O-Ring	
78	3960407	1	Gasket	
79	4791400	4	Starwasher 1/4in	
80	0701012	4	Bolt M10 x 25mm	
81	0701015	4	Bolt M10 x 35mm	
82	0642010	1	Bolt 5/8in-11NC x 1-1/4in	
83	4752000	1	Flatwasher 5/8in Regular	
84	1701505	1	Decal - Diesel (Not Shown - Located on Hood)	
85	2720058	16ft/4.9m	Hose	
86	2220794	1	Fitting, Barbed	
87	4711600	3	Flatwasher 3/8in Thin	
88	4751800	1	Flatwasher 1/2in Regular	
89	3200362	2	Mount, Rubber Engine (Front)	
90	4711400	1	Flatwasher 1/4in Thin	
91	3960468	1	Seal, Foam Gasket	
92	3960469	1	Seal, Foam Gasket	
93	3311801	1	Nut 1/2in-13NC	
94	4060805	3ft/.88m	Flex-Trim 1/4in	
95	Not Used			
96	1060637	1	Lanyard	
97	4711900	6	Flatwasher 9/16in Thin	
98 to 199	Not Used			
		Ref	MUFFLER INSTALLATIONS	
	0256689	Ref	Standard Equipment (Spark Arresting)	—
	0256690	Ref	Optional Equipment (Catalytic)	—
201		1	Muffler Options:	
	3220103		Spark Arresting	
	3220104		Catalytic	
		1	Muffler Components:	
			Clamp Options:	
	1320176		Saddle Clamp Used on Spark Arresting	
	70001017		Band Clamp Used on Catalytic	
	7024398	1	Tube, Exhaust	
	7024560	1	Plug, Brass	
	0258568	Ref	MUFFLER INSTALLATION (UL MACHINES)	2
251	3220113	1	Muffler, Spark Arrestor	
252	3570754	1	Plate, Muffler Mount	
253	4845799	1	Weldment, Exhaust Tube	
254	3900232	5	Bolt, Button Head 3/8in-16NC x 1-1/4in	
255	4751600	5	Flatwasher 3/8in Regular	

SECTION 2 TURNTABLE

FIGURE 2-8. DEUTZ ENGINE INSTALLATION (SN 0300068000 TO SN 0300077490)

ITEM #	PART NUMBER	QTY.	DESCRIPTION	REV.
256	3311601	5	Nut 3/8in-16NC	
257	0100011	AR	Compound, Locking	
258	0902472	1	Bracket	
259	4567429	1	Tube, Exhaust	
260	4567430	1	Tube, Exhaust	
261	4567431	1	Tube, Exhaust	
262	3220111	1	Spark Arrestor	
263	0340046	2	Band, Muffler	
264	0641507	4	Bolt 5/16in-18NC x 7/8in	
265	4711500	8	Flatwasher 5/16in Thin	
266	3311505	4	Locknut 5/16in-18NC	
267	4100025	3.5ft/1.06m	Sleeve	
268	3100076	1	Manifold, Exhaust (UL Machines Only)	
269	4567428	1	Tube, Exhaust (UL Machines Only)	
270	0700812	3	Bolt M8 x 25mm (UL Machines Only)	
271	4831900	3	Lockwasher M8 (UL Machines Only)	
	2000189	Ref	ENGINE COMPONENTS	B
301	7016328	1	Filter, Fuel	
302	7000663	1	Alternator (was p/n 7020410)	
	7020464	1	Regulator	
	70003356	1	Pulley, Alternator	
	70002234	1	Bracket, Adjustable	
303	7020461	1	Switch, Oil Pressure	
304	7016331	1	Filter, Oil	
305	7020479	1	Starter	
	7026608	1	Relay	
	70001498	1	Shield, Starter Heat (Not Shown)	
306	7026631	1	Dipstick Oil Level	
	70001002	1	Tube, Dipstick	
	7020487	1	O-Ring, Dipstick	
307	7020168	1	Switch, Engine Temperature	
	7020480	1	Ring Seal, Engine Temperature Switch	
308	7020408	1	V-Belt	
309	Not Used			
310	7024318	4	Pump, Fuel Injection (was p/n 7020462)	
	7026522	4	Injector, Fuel (Includes Nozzle Element) (Not Shown):	
311	7020463	1	Fuel, Pump Supply (was p/n 7024413)	
	7020411	1	Gasket, Lift Pump	
312	7020465	2	Cap, Filler	
313	7020474	1	Pump, Oil Lube	
	7020468	1	Ring Seal Oil Pump	
314	Not Used			
315	7024565	1	Sensor, Speed (was p/n 7020481) (Not Shown)	
316	7020458	1	Actuator, Throttle	
	7027276	1	Spring, Actuator (was p/n 7026607)	
317	See Note	1	Flywheel/Ring Gear Assembly (Not Shown)	
	7024579	1	(Note: Not Available for Purchase.) Ring Gear Only (Not Shown)	

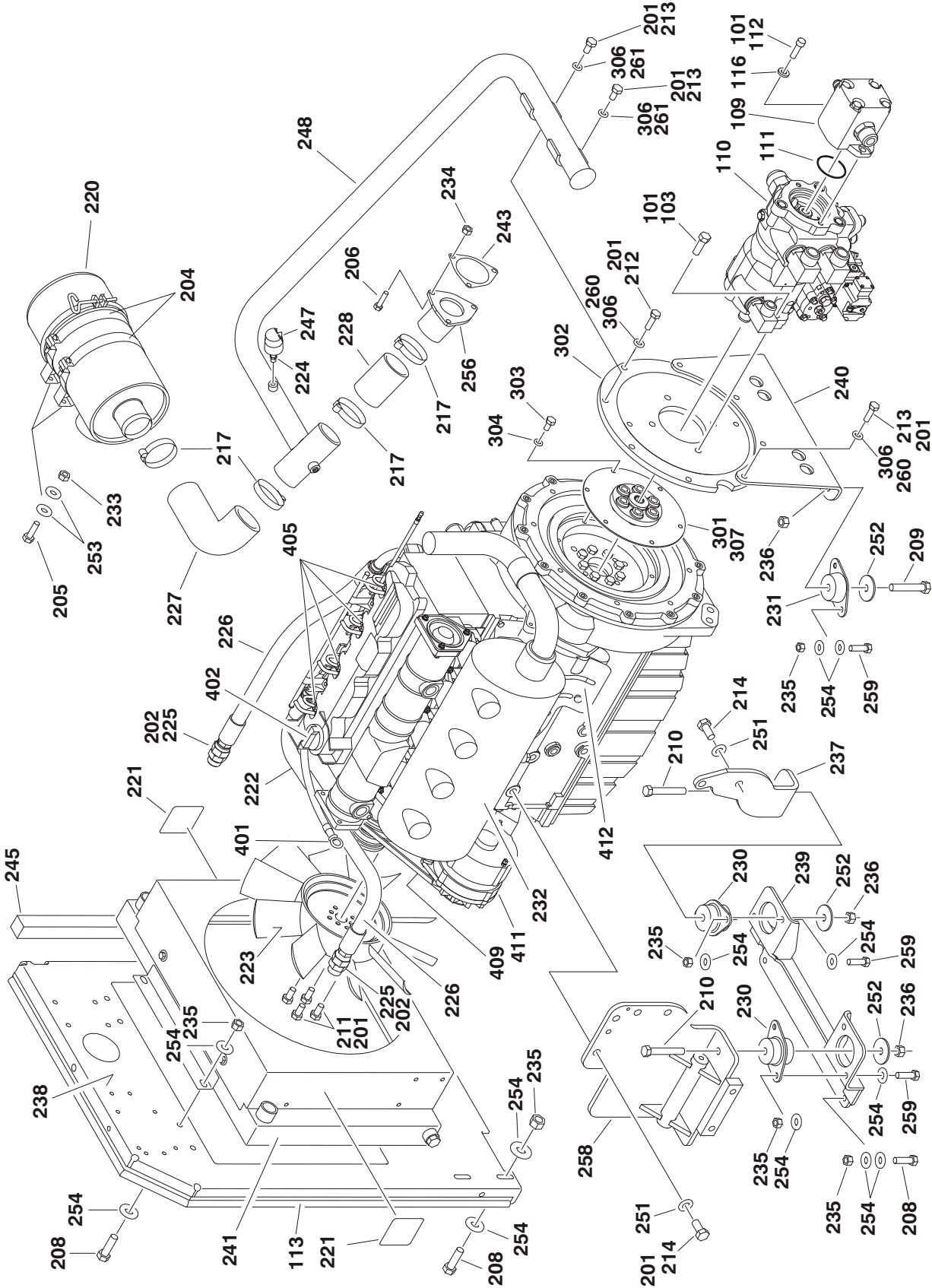
SECTION 2 TURNTABLE

FIGURE 2-8. DEUTZ ENGINE INSTALLATION (SN 0300068000 TO SN 0300077490)

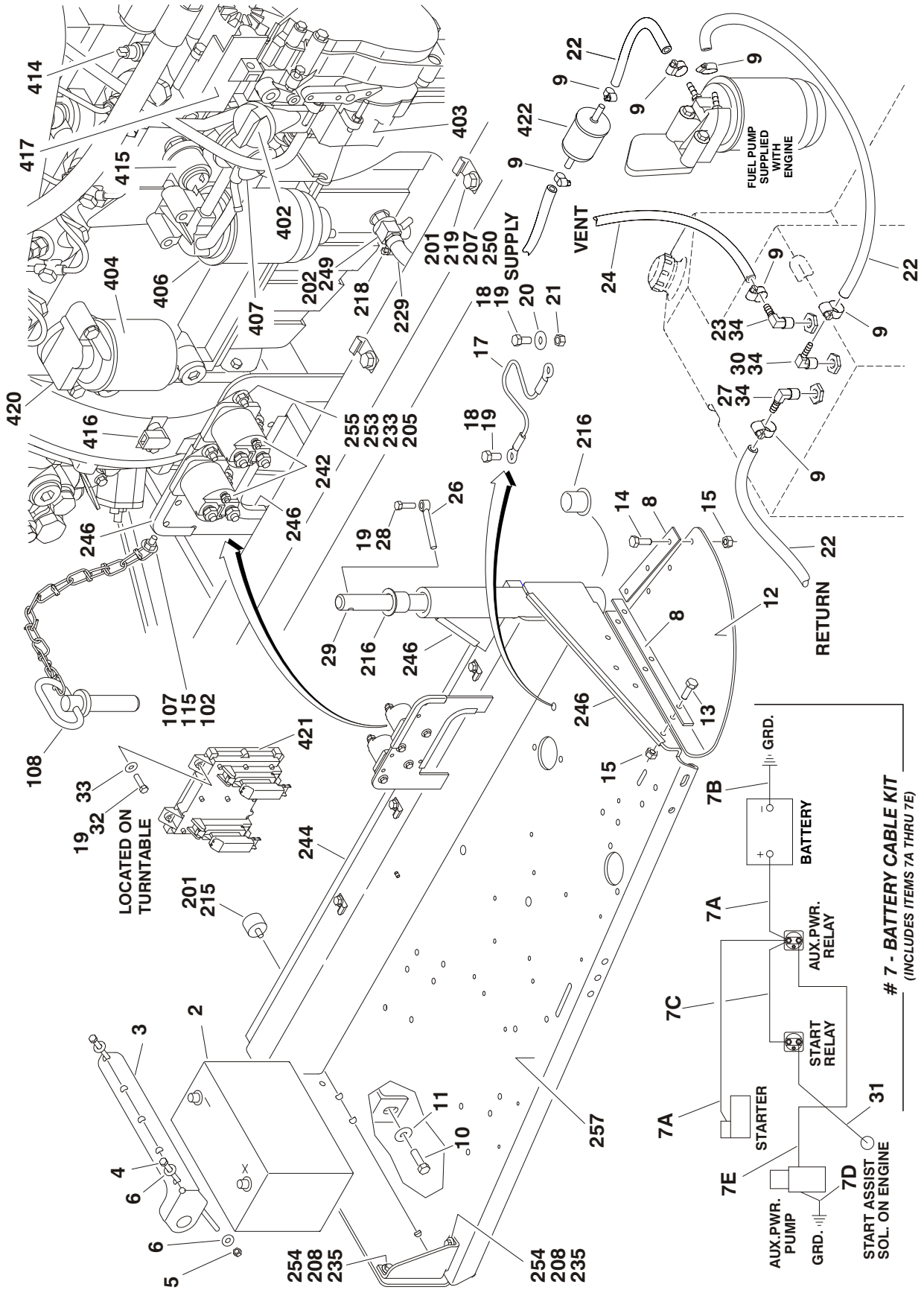
ITEM #	PART NUMBER	QTY.	DESCRIPTION	REV.
318	7020471	8	Gasket, Exhaust Manifold to Engine Block & Exhaust Manifold to Muffler (Not Shown)	
	70002200	8	Stud	
	70003476	8	Nut	
319	70001423	1	Bracket, Fuel Filter	
320	7020449	4	Gasket, Intake Manifold (Not Shown)	
321	7020431	1	Gasket, Valve Cover (Not Shown)	
322		1	Gasket, Head Options (Not Shown):	
	70001681		1 Notch	
	70002411		2 Notches	
	70002530		3 Notches	
323	7020459	1	Thermostat (Located at rear of engine block - Not Shown)	
	7020460	1	Spring, Compression	
324	7020488	1	Connector, Plug-in (Plug into Various Sensors - Oil, Temperature & Pressure - Not Shown)	
	0256847	Ref	PUMP COUPLING INSTALLATION	—
401	1660234	1	Coupling, Hayes	
402	0080163	1	Plate, Pump Adapter	
403	0700810	6	Bolt M8 x 20mm	
404	4831900	6	Lockwasher M8	
405	Not Used			
406	4832000	8	Lockwasher M10	
407	3020021	AR	Grease, Coupling (Not Shown)	

SECTION 2 TURNTABLE

FIGURE 2-9. DEUTZ ENGINE INSTALLATION (SN 0300077490 TO SN 0300087000)



SECTION 2 TURNTABLE



SECTION 2 TURNTABLE

FIGURE 2-9. DEUTZ ENGINE INSTALLATION (SN 0300077490 TO SN 0300087000)

ITEM #	PART NUMBER	QTY.	DESCRIPTION	REV.
		Ref	DEUTZ ENGINE INSTALLATIONS	
	0273692	Ref	2WD (SN 0300068000 to SN 0300084827)	5/B
	0274298	Ref	2WD (SN 0300084827 to SN 0300087000)	C
	0273693	Ref	4WD (SN 0300068000 to SN 0300084827)	5/C
	0274297	Ref	4WD (SN 0300084827 to SN 0300087000)	C
1	Not Used			
2	0400075	1	Battery	
3	0181727	1	Hold-down, Battery	
4	0630498	2	Bolt, Battery Hold-down	
5	3311605	2	Locknut 3/8in-16NC	
6	4751600	4	Flatwasher 3/8in Regular	
7	2902296	1	Battery Cable Kit	B
7A	7027000	1	Cable, Battery (Red)	
		Ref	Note: Machines SN 0300077490 to SN 0300087000 were built with Revisions A or B Cable Kit. Replacement p/n 7027000 will incorporate Item 70C. Discard Item 70C and install per illustration.	
7B	7027004	1	Cable, Battery (Black)	
7C	7027001	1	Cable (Red) (No Longer Part of 2902296 Kit)	
7D	7027003	1	Cable (Black)	
7E	7027002	1	Cable (Red)	
8	3539957	2	Plate, Hold-down	
9	1320022	AR	Clamp, Hose	
10	0642010	1	Bolt 5/8in-11NC x 1-1/4in	
11	4752000	1	Flatwasher 5/8in Regular	
12	3380429	1	Panel, Rubber	
13	0641508	3	Bolt 5/16in-18NC x 1in	
14	0641514	3	Bolt 5/16in-18NC x 1-3/4in	
15	3311505	10	Locknut 5/16in-18NC	
16	1701505	1	Decal - Diesel (Not Shown - Located on Hood)	
17	1060637	1	Cable, Lanyard	
18	0641808	2	Bolt 1/2in-13NC x 1in	
19	0100011	AR	Compound, Locking	
20	4751800	1	Flatwasher 1/2in Regular	
21	3311801	1	Nut 1/2in-13NC	
22	2720058	30ft/9.2m	Hose	
23	2220313	1	Fitting, 90	
24	2750532	6ft/1.8m	Hose	
25	0100020	AR	Sealant, Pipe (Not Shown)	
26	3841143	1	Pin, Keeper	
27	2221176	1	Fitting, 90 Barbed	
28	0641610	1	Bolt 3/8in-16NC x 1-1/4in	
29	3422446	1	Pin, Pivot	
30	2180348	1	Fitting, Straight Barbed	
31	4922978	1	Harness, Start Assist Solenoid (SN 0300068000 to SN 0300084827)	
32	0641410	4	Bolt 1/4in-20NC x 1-1/4in (SN 0300084827 to SN 0300087000)	

SECTION 2 TURNTABLE

FIGURE 2-9. DEUTZ ENGINE INSTALLATION (SN 0300077490 TO SN 0300087000)

ITEM #	PART NUMBER	QTY.	DESCRIPTION	REV.
33	4711400	4	Flatwasher 1/4in Thin (SN 0300084827 to SN 0300087000)	
34	0100020	AR	Sealant, Pipe #567	
		Ref	ENGINE AND PUMP ASSEMBLIES	
	2000220	Ref	2WD (SN 0300068000 to SN 0300084827)	D
	2000281	Ref	2WD (SN 0300084827 to SN 0300087000)	B
	2000221	Ref	4WD (SN 0300068000 to SN 0300084827)	E
	2000280	Ref	4WD (SN 0300084827 to SN 0300087000)	B
101	0100011	AR	Compound, Locking	
102	0641407	1	Bolt 1/4in-20NC x 7/8in	
103	0641812	2	Bolt 1/2in-13NC x 1-1/2in	
104 to 106	Not Used			
107	3311405	1	Locknut 1/4in-20NC	
108	3422532	1	Pin, Hitch	
109	3600395	1	Gear Pump Assembly with Fittings (See GEAR PUMP ASSEMBLY for Breakdown)	
110		1	Piston Pump Assembly with Fittings Options (See PISTON PUMP ASSEMBLY for Breakdown):	
	3600394		2WD	
	3600396		4WD	
111	3790152	1	O-Ring	
112	3931620	2	Capscrew 3/8in-16NC x 1-1/4in	
113	3960389	5ft/1.5m	Seal	
114	Not Used			
115	4751400	1	Flatwasher 1/4in Regular	
116	4891800	2	Flatwasher 1/2in Hardened	
117	3020016	3.75gal	Oil, Motor (Not Shown)	
		Ref	ENGINE ASSEMBLIES	
	2000219	Ref	SN 0300068000 to SN 0300084827	F
	2000279	Ref	SN 0300084827 to SN 0300087000	C
	0256689	Ref	MUFFLER INSTALLATION - SPARK ARRESTING	—
	0256690	Ref	MUFFLER INSTALLATION - CATALYTIC	—
201	0100011	AR	Compound, Locking	
202	0100020	AR	Sealant, Pipe	
203	Not Used			
204	0340041	2	Band, Air Cleaner	
205	0641407	8	Bolt 1/4in-20NC x 7/8in	
206	0641510	3	Bolt 5/16in-18NC x 1-1/4in	
207	0641606	3	Bolt 3/8in-16NC x 3/4in	
208	0641610	12	Bolt 3/8in-16NC x 1-1/4in	
209	0641818	2	Bolt 1/2in-13NC x 2-1/4in	
210	0641826	2	Bolt 1/2in-13NC x 3-1/4in	
211	0700808	4	Bolt 8mm x 16mm	
212	0701012	2	Bolt 10mm x 25mm	
213		AR	Bolt Options:	
	0701015	4	Bolt 10mm x 35mm (SN 0300068000 to SN 0300084709)	
	0701014	6	Bolt 10mm x 30mm (SN 0300084709 to SN 0300087000)	

SECTION 2 TURNTABLE

FIGURE 2-9. DEUTZ ENGINE INSTALLATION (SN 0300077490 TO SN 0300087000)

ITEM #	PART NUMBER	QTY.	DESCRIPTION	REV.
214	0701414	6	Bolt 14mm x 30mm	
215	0940070	1	Bumper	
216	0961986	2	Bushing, Flanged	
217	1320016	4	Clamp	
218	1320022	1	Clamp, Hose	
219	1320223	4	J-Clip	
220	1340060	1	Air Cleaner Assembly Including Filter Element	
	7012664	1	Element, Filter (Not Shown)	
221	1703162	2	Decal - Caution Fan Blade	
222		1	Engine, Deutz - F4M2011 Tier II Options:	
	2000216	1	SN 0300077490 to SN 0300084827	
	2000274	1	SN 0300084827 to SN 0300087000	
223	2060025	1	Fan	
224	2180798	1	Fitting (SN 0300068000 to SN 0300084827)	
225	2220451	2	Fitting, Straight	
226	2720398	2	Hose, Oil Cooler	
227	2720434	1	Elbow, Rubber	
228	2720449	1	Hose, Air Cleaner	
229	2750532	1ft/30cm	Hose, Oil Drain	
230	3200362	2	Mount, Motor	
231	3200406	2	Mount, Motor	
232		1	Muffler Options:	
	3220103		Spark Arresting	
	3220104		Catalytic	
		1	Muffler Components:	
			Clamp Options:	
	1320176		Saddle Clamp Used on Spark Arresting	
	70001017		Band Clamp Used on Catalytic	
	7024398	1	Tube, Exhaust	
	7024560	1	Plug, Brass	
233	3311405	8	Locknut 1/4in-20NC	
234	3311505	3	Locknut 5/16in-18NC	
235	3311605	AR	Locknut 3/8in-16NC	
236	3311805	4	Locknut 1/2in-13NC	
237	3537416	1	Plate, Engine Mounting (Front Right Side)	
238	3539872	1	Plate, Radiator Mounting	
239	3539971	1	Plate, Engine Mounting (Front Bottom)	
240	3534978	1	Plate, Engine Mounting (Rear)	
241	3620033	1	Radiator	
242	3740067	2	Relay	
243	3960407	1	Gasket, Air Intake	
244	3960468	1	Seal	
245	3960469	1	Seal	
246	4060805	37in/1m	Flex-Trim	
247	4360392	1	Indicator, Restriction (SN 0300068000 to SN 0300084827)	
248		1	Tube, Tuning Options:	
	4567815		SN 0300068000 to SN 0300084827	
	4569171		SN 0300084827 to SN 0300087000	
249	4640751	1	Valve, Oil Drain	

SECTION 2 TURNTABLE

FIGURE 2-9. DEUTZ ENGINE INSTALLATION (SN 0300077490 TO SN 0300087000)

ITEM #	PART NUMBER	QTY.	DESCRIPTION	REV.
250	4711600	3	Flatwasher 3/8in Thin	
251	4711900	6	Flatwasher 9/16in Thin	
252	4740274	4	Washer, Snubbing	
253	4751400	16	Flatwasher 1/4in Regular	
254	4751600	40	Flatwasher 3/8in Regular	
255	4791400	4	Starwasher 1/4in	
256	4845395	1	Adapter, Air Intake	
257	4845404	1	Tray, Engine	
258	4846566	1	Plate, Engine Mounting (Front Left Side)	
259		8	Bolt Options:	
	0641610		Bolt 3/8in-16NC x 1-1/4in (SN 0300068000 to SN 0300084709)	
	0641608		Bolt 3/8in-16NC x 1in (SN 0300084709 to SN 0300087000)	
260	4711700	6	Flatwasher 7/16in Thin (SN 0300084709 to SN 0300087000)	
261	4751700	2	Flatwasher 7/16in Regular (SN 0300084709 to SN 0300087000)	
	0256847	Ref	PUMP COUPLING INSTALLATION	2
301	1660234	1	Coupling, Hayes	
302	0080163	1	Plate, Pump Adapter	
303	0700810	63	Bolt M8 x 20mm	
304	4831900	6	Lockwasher M8	
305	Not Used			
306	4832000	8	Lockwasher M10 (SN 0300068000 to SN 0300084709)	
307	3020021	AR	Grease, Coupling	
		Ref	ENGINE COMPONENTS	
	2000216	Ref	SN 0300068000 to SN 0300084827	D
	2000274	Ref	SN 0300084827 to SN 0300087000	A
401	7026631	1	Dipstick	
	7020487	1	O-Ring, Dipstick (Not Shown)	
402	7020465	1	Cap, Filler	
403	70001850	1	Pump, Oil Lube (was p/ns 7020484 & 70000045)	
	7020468	1	Seal Between Oil Pump & Engine Block (Not Shown)	
404	7016331	1	Filter, Oil	
405		4	Pump, Injector Options:	
	7027246		Series A Injector	
	7027608		Series B Injector	
	7027609		Series C Injector	
	7027610		Series D Injector	
	7020447	4	Gasket (1 per Injector)	
406	7016328	1	Filter, Fuel	

SECTION 2 TURNTABLE

FIGURE 2-9. DEUTZ ENGINE INSTALLATION (SN 0300077490 TO SN 0300087000)

ITEM #	PART NUMBER	QTY.	DESCRIPTION	REV.
407	70000916	1	Pump, Fuel Supply (was p/n 7027238)	
	70001435	1	Repair Kit for 70000916 Pump	
	70000919	1	Hand Pump for 70000916 Pump	
	70000918	1	Seal, Hand Pump for 70000916 Pump	
		1	O-Seal Between Fuel Pump & Engine Block Options (Not Shown):	
	7020411		7027238 Pump	
	70000917		70000916 Pump	
408	7020449	4	Gasket, Intake Manifold (Not Shown)	
409	7020408	1	V-Belt	
410	7020471	4	Gasket, Exhaust Manifold to Engine Block (Not Shown)	
	70002200	8	Stud	
	70003476	8	Nut (Not Shown)	
	7020471	4	Gasket, Exhaust Manifold to Exhaust Muffler (Not Shown)	
411	7000663	1	Alternator (was p/n 7020410)	
	7020464		Regulator, Voltage (Not Shown)	
	70002234	1	Bracket, Adjusting (Not Shown):	
412	7020479	1	Starter	
	7026608	1	Relay	
	70001498	1	Shield, Starter Heat	
413	7027793	1	Plug- In Connector (Not Shown)	
414	7027241	1	Transmitter, Temperature (Used on 2000219)	
	7027791	1	Transmitter, Temperature (Used on 2000274)	
	See Note	1	Ring, Sealing (Note: Not Available for Purchase.)	
415	7020461	1	Sensor, Oil Pressure (Used on 2000219)	
	7027790	1	Sensor, Oil Pressure (Used on 2000274)	
416	7024565	1	Sensor, Speed	
417	7020458	1	Actuator, Throttle (Used on 2000219)	
	7027792	1	Actuator, Throttle (Used on 2000274)	
	7027276	2	Spring, Actuator (Used on 2000274)	
418	7020459	1	Thermostat (Located at rear of engine block - Not Shown)	
	7020460	1	Spring, Compression	
419		1	Flywheel Options (Not Shown):	
	See Note		SN 0300068000 to SN 0300084827 (Note: Not Available for Purchase.)	
	70000264		SN 0300084827 to SN 0300087000	
	7024579	1	Ring Gear (Located on Flywheel - Not Shown)	
420		1	Sender, Temperature Options:	
	7027236		SN 0300068000 to SN 0300084827	
	See Note		SN 0300084827 to SN 0300087000 (Note: Not Available for Purchase.)	
421	7027795	1	Module, Control (Used on 2000274) (SN 0300084827 to SN 0300087000 Only)	
422	7027245	1	Filter, Fuel In-line	
423	7027239	1	Solenoid, Start	
424		1	Timing Belt/Idler Kit Options (Not Shown):	
	70000800		SN 0300068000 to SN 0300084827	
	See Note		SN 0300084827 to SN 0300087000 (Note: Not Available for Purchase.)	

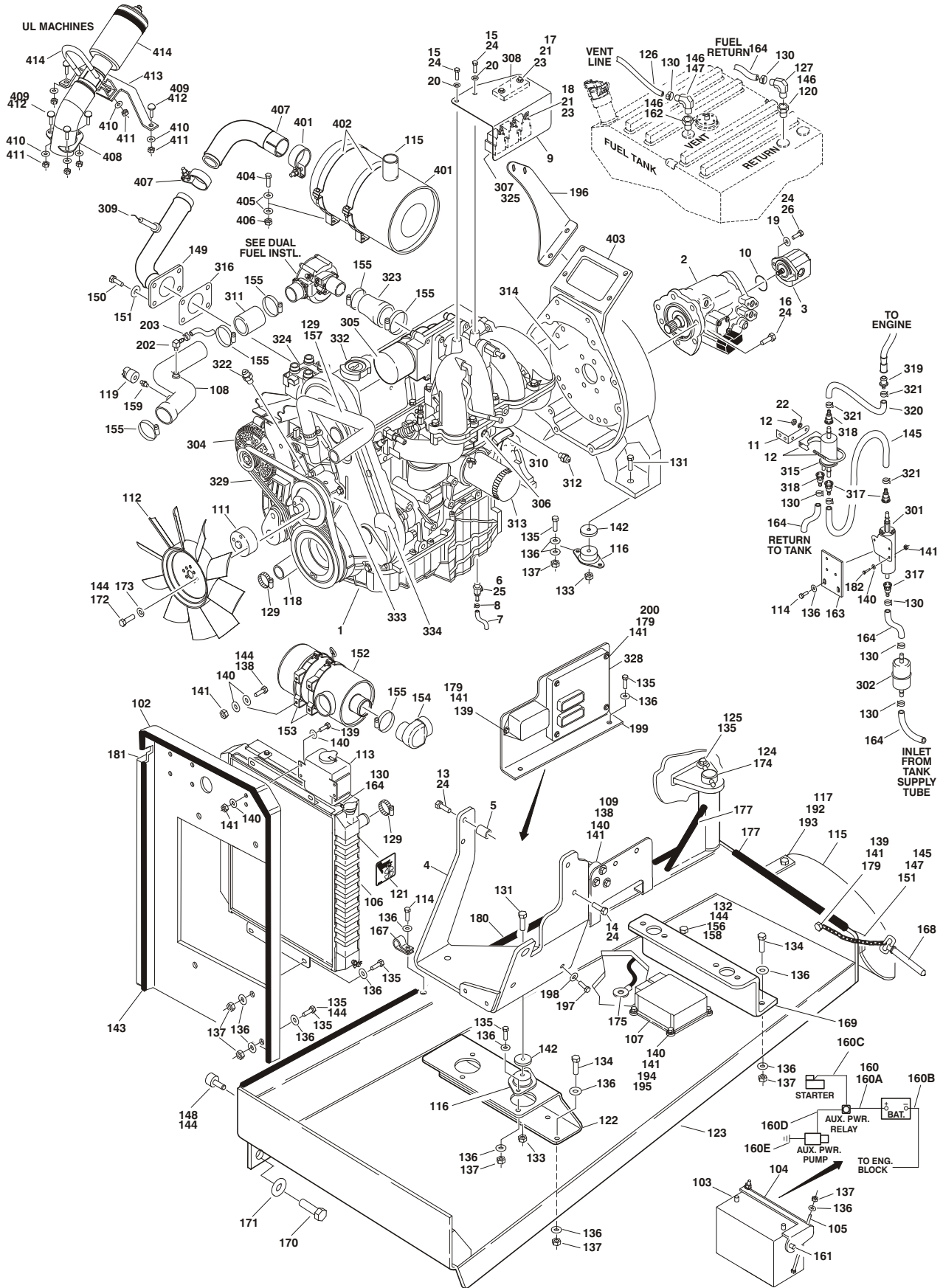
SECTION 2 TURNTABLE

FIGURE 2-9. DEUTZ ENGINE INSTALLATION (SN 0300077490 TO SN 0300087000)

ITEM #	PART NUMBER	QTY.	DESCRIPTION	REV.
425	See Note	1	Flywheel Options (Not Shown): SN 0300068000 to SN 0300084827 (Note: Not Available for Purchase.)	
	70000264		SN 0300084827 to SN 0300087000	
	7024579	1	Ring Gear (Located on Flywheel - Not Shown)	
426		1	Gasket, Head Options (Not Shown):	
	70003001		Gasket for 2000274 Engines	
	70003002		Gasket - 1 Notch	
	70003003		Gasket - 2 Notch	
	70003003		Gasket - 3 Notch	
	See Note		Gasket for 2000216 Engines (Note: Not Available for Purchase.)	
	0274233	Ref	FUEL FILTER INSTALLATION (SN 0300077442 TO SN 0300087000) (NOT SHOWN)	A
	0100020	AR	Sealant, Pipe	
	0641610	2	Bolt 3/8in-16NC x 1-1/4in	
	1320022	2	Clamp	
	2120203	1	Filter	
	2221176	2	Fitting 90	
	2720058	4.5ft/1.4m	Hose	
	3311605	2	Locknut 3/8in-16NC	
	4751600	4	Flatwasher 3/8in Regular	

SECTION 2 TURNTABLE

FIGURE 2-10. FORD ENGINE INSTALLATION (SN 0300068000 TO SN 0300079619)



SECTION 2 TURNTABLE

FIGURE 2-10. FORD ENGINE INSTALLATION (SN 0300068000 TO SN 0300079619)

ITEM #	PART NUMBER	QTY.	DESCRIPTION	REV.
		Ref	ENGINE ASSEMBLIES	
	0270767	Ref	Standard Gas Machines	3/B
	0270765	Ref	Dual Fuel Machines (SN 0300068000 to SN 0300071583)	2/A
	0272896	Ref	Dual Fuel Machines (SN 0300071583 to SN 0300075606)	2/B
	0273592	Ref	Dual Fuel Machines (2WD - SN 0300075606 to SN 0300079619)	2/B
	0273224	Ref	Dual Fuel Machines (4WD - SN 0300075606 to SN 0300079619)	4/D
1		1	Engine - Ford LRG-425 Options: Standard Gas Machines Dual Fuel Machines (SN 0300068000 to SN 0300071583) Dual Fuel Machines (SN 0300071583 to SN 0300079619)	
2		1	Piston Pump Assembly Options: SN 0300068000 to SN 0300075606 (See PISTON PUMP ASSEMBLY for Breakdown) 2WD - SN 0300075606 to SN 0300079619 (See PISTON PUMP ASSEMBLY for Breakdown) 4WD - SN 0300075606 to SN 0300079619 (See PISTON PUMP ASSEMBLY for Breakdown)	
3	3600242	1	Gear Pump Assembly (See GEAR PUMP ASSEMBLY for Breakdown)	
4		1	Plate, Engine Mounting - Front Options: SN 0300068000 to SN 0300073348 SN 0300073348 to SN 0300079619	
5	4566605	1	Tube, Spacer	
6	4640989	1	Valve, Oil Drain	
7	2750532	1ft/30.5cm	Hose	
8	1320022	1	Clamp	
9	3571498	1	Plate, Module Mounting	
10	3790152	1	O-Ring	
11	0902539	1	Bracket, Fuel Filter/Pressure Regulator	
12	1320019	1	Clamp, Exhaust	
13	0701022	2	Bolt M10 x 70mm	
14	0701014	2	Bolt M10 x 30mm	
15	0700810	2	Bolt M8 x 20mm	
16	0641812	2	Bolt 1/2in-13NC x 1-1/2in	
17	0721014	2	Bolt #10-24NC x 1-3/4in	
18	0721006	3	Bolt #10-24NC x 3/4in	
19	4891600	2	Flatwasher 3/8in Hardened	
20	4751500	2	Flatwasher 5/16in Regular	
21	4751000	8	Flatwasher #10 Regular	
22	4761500	2	Lockwasher 5/16in	
23	3311005	5	Locknut #10-24NC	
24	0100011	AR	Compound, Locking	
25	0100020	AR	Sealant	
26	3931620	2	Screw 3/8in-16NC x 1-1/4in (SN 0300068000 to SN 0300073555)	

SECTION 2 TURNTABLE

FIGURE 2-10. FORD ENGINE INSTALLATION (SN 0300068000 TO SN 0300079619)

ITEM #	PART NUMBER	QTY.	DESCRIPTION	REV.
		Ref	ENGINE INSTALLATIONS	
	0270766	Ref	Standard Gas Machines	5/E
	0270764	Ref	Dual Fuel Machines (SN 0300068000 to SN 0300071583)	5/E
	0272049	Ref	Dual Fuel Machines (SN 0300071583 to SN 0300075606)	4/D
	0273597	Ref	Dual Fuel Machines (2WD - SN 0300075606 to SN 0300079619)	2/B
	0273225	Ref	Dual Fuel Machines (4WD - SN 0300075606 to SN 0300079619)	5/E
101	Not Used			
102		1	Mount, Radiator Options:	
	3571692		Standard	
	3571692		Dual Fuel (SN 0300068000 to SN 0300071583)	
	3539872		Dual Fuel (SN 0300071583 to SN 0300079619)	
103		1	Battery Options:	
	0400075		Battery (Wet)	
	7016180		Battery (Dry)	
104	0181727	1	Battery Hold-Down	
105	0630498	2	Bolt, Tie-Down	
106	3620040	1	Radiator	
	7019656	1	Cap, Radiator	
107	1600314	1	Controller, ECM Options:	
			Standard	
			Dual Fuel	
108		1	Tube, Air Intake Options:	
	4846011		Standard Gas Machines	
	4846046		Dual Fuel Machines	
109	3740067	1	Relay (Auxiliary Power)	
110	Not Used			
111	0080214	1	Spacer, Fan	
112	2060025	1	Fan	
113	1580011	1	Tank, Coolant Recovery	
114	0641606	4	Bolt 3/8in-16NC x 3/4in	
115	3380429	1	Panel, Rubber	
116	3200362	4	Mount, Rubber	
117	3539957	2	Plate, Hold-Down	
118	2720435	1	Hose, Radiator - Bottom (was p/ns 7016376 & 7019927)	
119	4360392	1	Indicator, Clogged Filter	
120	2220430	1	Fitting, Reducer	
121	1703162	2	Decal - Fan Blade	
122		1	Plate, Engine Mount (Front) Options:	
	3570103		SN 0300068000 to SN 0300073338	
	3574122		SN 0300073338 to SN 0300079619	
123	4845404	1	Tray Weldment	
124	3422446	1	Pin, Pivot	
125	3841143	1	Pin, Keeper	
126	2750532	5ft/1.52m	Hose	
127	2220805	1	Fitting, Barbed 90	
128	1320060	1	Clamp (SN 0300068000 to SN 0300073338)	
129	1320012	AR	Clamp, Hose	

SECTION 2 TURNTABLE

FIGURE 2-10. FORD ENGINE INSTALLATION (SN 0300068000 TO SN 0300079619)

ITEM #	PART NUMBER	QTY.	DESCRIPTION	REV.
130	1320022	8	Clamp	
131	0641828	4	Bolt 1/2in-13NC x 3-1/2in	
132	4751800	1	Flatwasher 1/2in Regular	
133	3311805	4	Locknut 1/2in-13NC	
134	0641610	8	Bolt 3/8in-16NC x 1-1/4in	
135	0641608	AR	Bolt 3/8in-16NC x 1in	
136	4751600	AR	Flatwasher 3/8in Regular	
137	3311605	AR	Locknut 3/8in-16NC	
138	0641408	AR	Bolt 1/4in-20NC x 1in	
139	0641406	AR	Bolt 1/4in-20NC x 3/4in	
140	4751400	22	Flatwasher 1/4in Regular	
141	3311405	19	Locknut 1/4in-20NC	
142	4740274	4	Washer, Snubbing	
143	3960389	5ft/1.52m	Seal	
144	0100011	AR	Compound, Locking	
145	2720472	1	Hose	
146	0100020	AR	Sealant	
147	2180467	2	Fitting, Barbed 90	
148	0940070	1	Bumper, Rubber	
149	4567879	1	Tube, Exhaust	
150	0701012	AR	Bolt M10 x 25mm	
151	4832000	4	Lockwasher M10	
152	1340060	1	Air Cleaner Assembly	
	7012664	1	Element, Air Cleaner	
153	0340041	2	Band, Air Cleaner	
154	0080201	1	Elbow, Rubber	
155	1320016	AR	Clamp	
156	3311801	1	Nut 1/2in-13NC	
157	2720436	1	Hose, Radiator - Top (was p/n 7019926)	
158	0641808	AR	Bolt 1/2in-13NC x 1in	
159	2180798	1	Fitting, Restrictor Indicator	
160	2901362	1	Battery Cable Kit (SN 0300068000 to SN 0300075606)	C
	2902297	1	Battery Cable Kit (SN 0300075606 to SN 0300079619)	A
160A	7016800	1	Cable, Battery (Red) (Kit p/n 2901362)	
	7027006	1	Cable, Battery (Red) (Kit p/n 2902297)	
160B	7016807	1	Cable, Battery (Black) (Kit p/n 2901362)	
	7027005	1	Cable, Battery (Black) (Kit p/n 2902297)	
160C	7016808	1	Cable (Red) (Kit p/n 2901362)	
	7027007	1	Cable (Red) (Kit p/n 2902297)	
160D	7016804	1	Cable (Red) (Kit p/n 2901362)	
	7027002	1	Cable (Red) (Kit p/n 2902297)	
160E	Not Required		Kit p/n 2901362	
	7027003	1	Cable (Black) (Kit p/n 2902297)	
161	4460611	1	Terminal, Battery Jumper Post (SN 0300068000 to SN 0300075606)	
162	2220250	2	Fitting, Reducer	
163	3572414	1	Plate, Fuel Pump Mounting	
164	2720058	12ft/3.7m	Hose, Fuel Line	
165 to 166	Not Used			
167	1320223	3	Clamp	

SECTION 2 TURNTABLE

FIGURE 2-10. FORD ENGINE INSTALLATION (SN 0300068000 TO SN 0300079619)

ITEM #	PART NUMBER	QTY.	DESCRIPTION	REV.
168	3422532	1	Pin, Hitch	
169	3570133	1	Plate, Engine Mount (Rear)	
170	0642010	1	Bolt 5/8in-11NC x 1-1/4in	
171	4752000	1	Flatwasher 5/8in Regular	
172	0700819	4	Bolt M8 x 55mm	
173	4831900	4	Lockwasher M8	
174	0961986	2	Flange, Bearing	
175	1060637	1	Lanyard	
176	Not Used			
177	4060805	2.9ft/0.88m	Flexible Trim 3/16in	
178	Not Used			
179	4711400	AR	Flatwasher 1/4in Thin	
180	3960468	1	Seal, Foam 1-1/4in x 1-1/4in x 47-1/4in	
181	3960469	1	Seal, Foam 1-1/4in x 1-1/4in x 32in	
182	0641410	3	Bolt 1/4in-20NC x 1-1/4in	
183 to 190	Not Used			
191	0641508	3	Bolt 5/16in-18NC x 1in	
192	0641514	3	Bolt 5/16in-18NC x 1-3/4in	
193	3311505	6	Locknut 5/16in-18NC	
194		4	Standoff, 1/4in x 2in Options:	
	4568158		Standard	
	4568158		Dual Fuel (SN 0300068000 to SN 0300071583)	
	Not Required		Dual Fuel (SN 0300071583 to SN 0300079619)	
195		4	Bolt 1/4in-20NC x 3in Options:	
	0641424		Standard	
	0641424		Dual Fuel (SN 0300068000 to SN 0300071583)	
	Not Required		Dual Fuel (SN 0300071583 to SN 0300079619)	
196	0902572	1	Bracket, LP Mounting (Dual Fuel Only)	
197	0641808	1	Bolt 1/2in-13NC x 1in (SN 0300071583 to SN 0300079619)	
198	4771800	2	Starwasher 1/2in (SN 0300071583 to SN 0300079619)	
199	3574162	1	Plate, ECM/Relay Mount (Dual Fuel) (SN 0300071583 to SN 0300079619t Only)	
200	0641414	4	Bolt 1/4in-20NC x 1-3/4in (Dual Fuel) (SN 0300071583 to SN 0300079619 Only)	
201	0100048	AR	Grease, Dielectric (Not Shown)	
202	2180467	1	Fitting, 90 Barbed	
203	1320032	2	Clamp, Hose	
		Ref	ENGINE COMPONENTS	
	2000172	Ref	Standard Gas Machines	
	2000174	Ref	Dual Fuel Machines (SN 0300068000 to SN 0300071583)	
	2000193	Ref	Dual Fuel Machines (SN 0300071583 to SN 0300079619)	
301	3600377	1	Fuel Pump & Isolator Assembly (was p/n 7022133)	
	7022134	1	Harness, Fuel Pump Wiring	
302	91083218	1	Filter, Fuel (was p/n 7022135)	
303	7019986	1	Starter (Not Shown)	
304	7019977	1	Alternator with Pulley & Regulator	
	7000897	1	Alternator without Pulley & Regulator	

SECTION 2 TURNTABLE

FIGURE 2-10. FORD ENGINE INSTALLATION (SN 0300068000 TO SN 0300079619)

ITEM #	PART NUMBER	QTY.	DESCRIPTION	REV.
305	7023655	1	Actuator, Throttle Options: SN 0300068000 to SN 0300071583	
	7023683		SN 0300071583 to SN 0300079619	
	7023652	1	Plate, Actuator Adapter	
	7023654	1	Gasket, Actuator to Adapter Plate	
	7023653	2	Bolt (Adapter Plate to Intake Manifold)	
	7023656	4	Bolt (Actuator to Adapter Plate)	
	306	7019996	1	
7023662		1	Bracket, Air Temperature Sensor (Not Shown)	
307	7023663	1	Harness, ECM (SN 0300068000 to SN 0300071583) (was p/n 7022137)	
	7023681	1	Harness, ECM (SN 0300071583 to SN 0300079619)	
308	7022139	1	Sensor, MAP	
309	7019994	1	Sensor, EGR (SN 0300068000 to SN 0300071583)	
	7023682	1	Sensor, EGR (SN 0300071583 to SN 0300079619)	
310	2420187	1	Dipstick (was p/n 7022140)	
	4564281		Tube, Dipstick (was p/n 7022146)	
311	7023658	1	Adapter, Rubber Air Horn	
312	7023637	1	Switch, Oil Pressure	
313	7021868	1	Filter, Oil (was p/n 7022147, 7022173 & 7014501)	
314	1660250	1	Coupling, Pump (was p/n 7016662)	
	7019976	1	Flywheel (Not Shown)	
	7012180	1	Ring Gear (Not Shown)	
	7020120	1	Housing, Flywheel	
315	7019993	1	Pressure Regulator & Filter Assembly (was p/n 7022163)	
316	70002307	1	Gasket, Exhaust (Manifold to Pipe)	
	7022143	1	Gasket, Exhaust (Manifold to Head) (Not Shown)	
317	7022158	3	Connector	
318	7022159	2	Connector	
319	7022160	1	Connector	
320	7022161	2	Tube, Supply	
321	7022162	2	Clamp	
322	7022178	1	Sensor, Crank	
	7022179	1	Sensor, Camshaft (Not Shown)	
323	2720341	1	Hose, Air Outlet (was p/n 7022141)	
324	7019930	1	Coil, Ignition	
	7022157	1	Ignition Wire Set	
	7019932	4	Spark Plug (was p/n 7012595)	
325		3	Relay Options: SN 0300068000 to SN 0300071583	
	7023613		SN 0300071583 to SN 0300079619	
326	Not Used			
327	7019925	1	PCV Valve (Not Shown)	
328	1600314	1	Module, EPM (SN 0300068000 to SN 0300071583) (was p/n 7023664)	
	1600363	1	Module, EPM (SN 0300071583 to SN 0300079619) (was p/n 7023684)	
	2915196	1	Update Kit - EPM Module (SN 0300068000 to SN 0300071583 Only) (was p/n 7023686)	

SECTION 2 TURNTABLE

FIGURE 2-10. FORD ENGINE INSTALLATION (SN 0300068000 TO SN 0300079619)

ITEM #	PART NUMBER	QTY.	DESCRIPTION	REV.
329	7027402	1	Belt, Drive (was p/n 7019979)	
	70002567	1	Tensioner, Belt	
330	7023657	1	Wire Assembly, TPS Adapter (Not Shown)	
331	7022149	1	Gasket Kit, Lower Manifold (Not Shown)	
	7025124	1	Gasket Kit, Upper Manifold (was p/n 7022148) (Not Shown)	
	7022144	1	Gasket, Upper Manifold Throttle (Not Shown)	
332	7022151	1	Cap, Oil Filler	
333	7022153	1	Pump, Water	
	7022154	1	Gasket, Water Pump (Not Shown)	
	7022155	1	Sensor, Water Temperature (Not Shown)	
	7022156	1	Thermostat Assembly (Not Shown)	
	7023644	1	Hose, Water Pump (By-Pass) (Not Shown)	
334	7022150	1	Belt, Timing	
335	7022152	1	Injector, Fuel (Not Shown)	

	3124114	1	Service Manual, Ford EFI System Diagnostic	
		Ref	MUFFLER INSTALLATIONS	
	0258390	Ref	Standard Spark Arresting	1
	0258391	Ref	Optional Catalytic	1
	0258570	Ref	UL - Spark Arresting	2
401		1	Muffler Options:	
	3220113		Standard Spark Arresting	
	3220114		Optional Catalytic	
	70001017	1	Clamp	
402	0340046	2	Band	
403	0902309	1	Bracket, Muffler	
404	0641508	4	Bolt 5/16in-18NC x 1in	
405	4711500	8	Flatwasher 5/16in Thin	
406	3311505	4	Locknut 5/16in-18NC	
407	4567073	1	Tube, Exhaust	
	70001017	1	Clamp	
		Ref	Note: Items 408 to 414 for UL Machines Only.	
408	4845667	1	Tube, Exhaust	
409	3900232	5	Bolt, Button Head 3/8in-16NC x 1-1/4in	
410	4751600	7	Flatwasher 3/8in Regular	
411	3311601	5	Nut 3/8in-16NC	
412	0100011	AR	Compound, Locking	
413	0902472	1	Bracket, Exhaust Support	
414	4846817	1	Spark Arrestor	

SECTION 2 TURNTABLE

FIGURE 2-10. FORD ENGINE INSTALLATION (SN 0300068000 TO SN 0300079619)

ITEM #	PART NUMBER	QTY.	DESCRIPTION	REV.

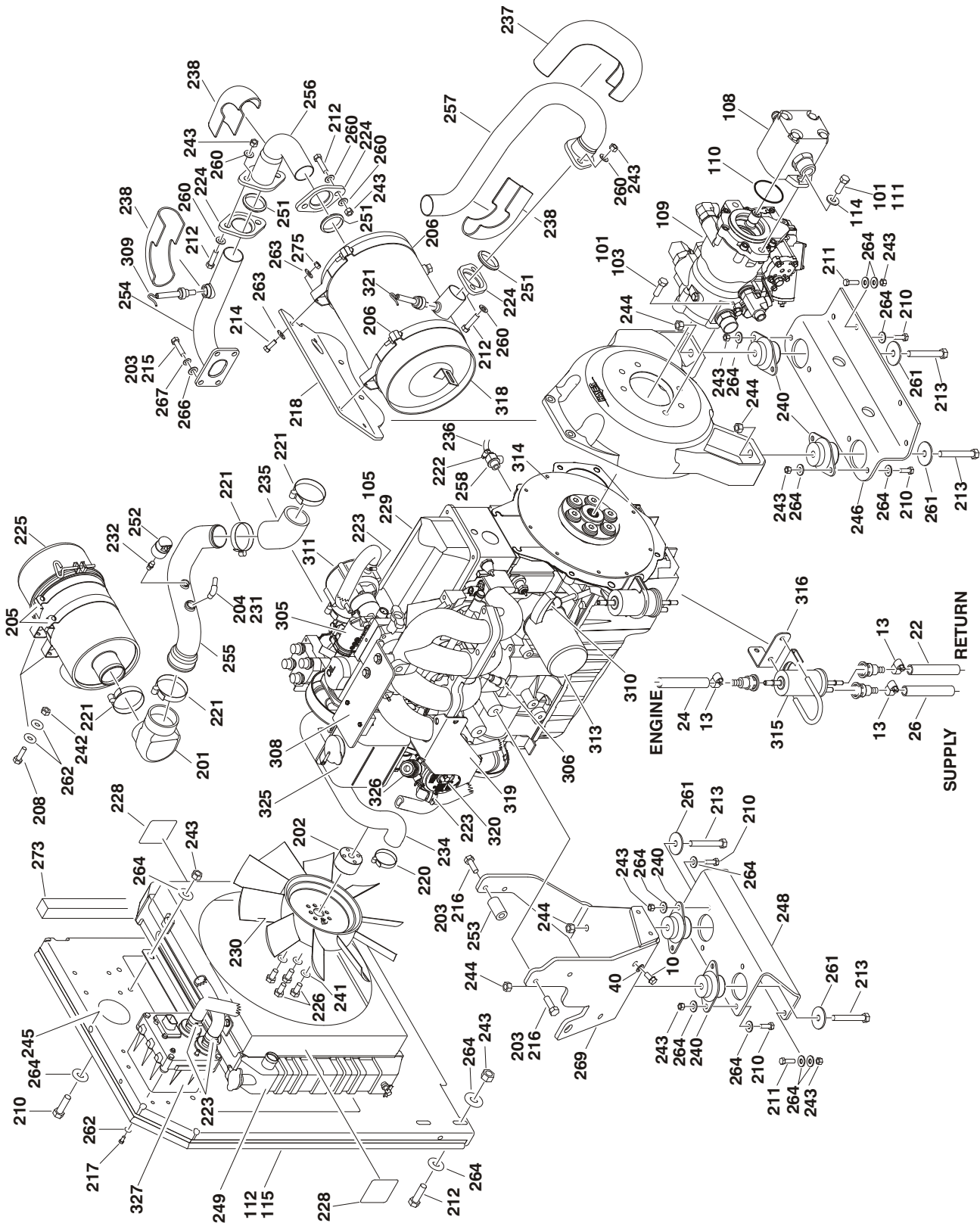
SECTION 2 TURNTABLE

FIGURE 2-11. DUAL FUEL INSTALLATIONS (FORD MACHINE OPTION)

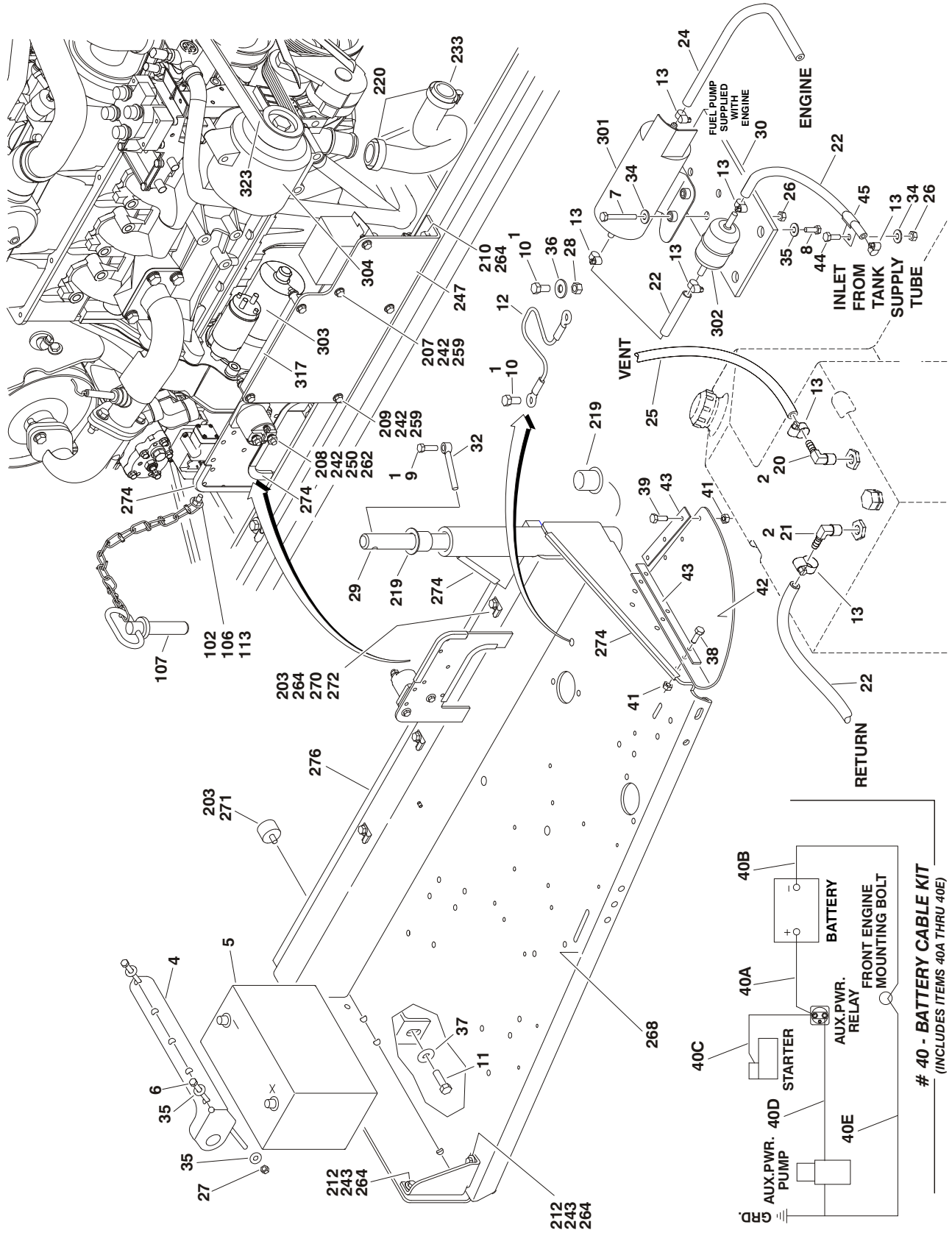
ITEM #	PART NUMBER	QTY.	DESCRIPTION	REV.
		Ref	DUAL FUEL ENGINE COMPONENTS (SN 0300068000 TO SN 0300079619 ONLY)	
		Ref	Note: For Machines built SN 0300079619 to SN 0300087000 refer to Engine Installation (FORD ENGINE INSTALLATION)	
	2000174	Ref	Dual Fuel Machines (SN 0300068000 to SN 0300071583)	
	2000193	Ref	Dual Fuel Machines (SN 0300071583 to SN 0300079619)	
	Not Available - See Your Ford Dealer	1	Dual Fuel Conversion Kit (Note: Includes hose, fittings, clamps and items indented below. For replacement hose, fittings and clamps supply locally.)	
1	7022165	1	Mixer	
	7022171	1	Repair Kit - 7022165 Mixer	
	7023645	1	Gasket, Mixer	
2	Not Used			
3	7022167	1	Convertor	
	7022170	1	Repair Kit - 7022167 Convertor	
4	Use 7023680	1	Filter, LP Shut-Off (was p/n 7022169)	
	7023679	1	Electrical Connector Kit (Includes (1) 2 Position Connector, 2 Pins and 2 Seals)	
5	7022168	1	Valve, Solenoid	
6	4360188	1	Switch, Vacuum	
7	7023603	1	Adaptor	
8	7022166	1	Adaptor	
		Ref	DUAL FUEL MACHINE COMPONENTS	
	0270764	Ref	SN 0300068000 to SN 03000671538	5/E
	0272049	Ref	SN 03000671538 to SN 03000679619	1/A
	0274018	Ref	2WD (SN 03000679619 TO SN 03000687000)	B
	0274019	Ref	4WD (SN 03000679619 TO SN 0300087000)	B
101 to 186	Not Used			
187	2720392	1	Hose	
188	2180418	1	Fitting, Straight	
189	2220064	1	Fitting, 90	
190	2220005	1	Fitting, Reducer	

SECTION 2 TURNTABLE

FIGURE 2-12. FORD ENGINE INSTALLATION (SN 0300079619 TO SN 0300087000)



SECTION 2 TURNTABLE



SECTION 2 TURNTABLE

FIGURE 2-12. FORD ENGINE INSTALLATION (SN 0300079619 TO SN 0300087000)

ITEM #	PART NUMBER	QTY.	DESCRIPTION	REV.
		Ref	ENGINE INSTALLATIONS	
	0274018	Ref	2WD (SN 0300068000 to SN 0300084827)	B
	0274490	Ref	2WD (SN 0300084827 to SN 0300087000)	B
	0274019	Ref	4WD (SN 0300068000 to SN 0300084827)	B
	0274489	Ref	4WD (SN 0300084827 to SN 0300087000)	B
1	0100011	AR	Compound, Locking	
2	0100020	AR	Sealant	
3	0100048	AR	Grease, Dielectric	
4	0181727	1	Angle, Battery Hold-Down	
5	0400075	1	Battery	
6	0630498	2	Bolt, Battery Hold-Down	
7		2	Bolt Options:	
	0641410		Bolt 1/4in-20NC x 1-1/4in (SN 0300068000 to SN 0300084827)	
	0641408		Bolt 1/4in-20NC x 1in (SN 0300084827 to SN 0300087000)	
8	0641606	1	Bolt 3/8in-16NC x 3/4in	
9	0641608	1	Bolt 3/8in-16NC x 1in	
10	0641808	2	Bolt 1/2in-13NC x 1in	
11	0642010	1	Bolt 5/8in-11NC x 1-1/4in	
12	1060637	1	Cable, Lanyard	
13	1320022	7	Clamp (Not Shown - Located on Turntable to clamp fuel line)	
14	1701542	1	Decal - Gas (Not Shown - Located on Hood)	
15	1701543	1	Decal - LP (Not Shown - Located on Frame)	
16 to 19	Not Used			
20	2220313	1	Fitting, 90	
21	2221176	1	Fitting, 90	
22	2720058	12ft/3.7m	Hose, Fuel Line	
23	Not Used			
24	2720472	1	Hose, Fuel Line	
25	2720532	5ft/1.5m	Hose, Fuel Line	
26	3311405	3	Locknut 1/4in-20NC	
27	3311605	2	Locknut 3/8in-16NC	
28	3311801	1	Nut 1/2in-13NC	
29	3422446	1	Pin	
30	3572414	1	Plate, Fuel Pump Mount	
31	Not Used			
32	3841143	1	Pin, Keeper	
33	Not Used			
34	4751400	3	Flatwasher 1/4in Regular	
35	4751600	5	Flatwasher 3/8in Regular	
36	4751800	1	Flatwasher 1/2in Regular	
37	4752000	1	Flatwasher 5/8in Regular	
38	0641508	3	Bolt 5/16in-18NC x 1in	
39	0641514	3	Bolt 5/16in-18NC x 1-3/4in	

SECTION 2 TURNTABLE

FIGURE 2-12. FORD ENGINE INSTALLATION (SN 0300079619 TO SN 0300087000)

ITEM #	PART NUMBER	QTY.	DESCRIPTION	REV.
40	2902297	1	Battery Cable Kit	A
40A	7027006	1	Cable, Battery (Red)	
40B	7027005	1	Cable, Battery (Black)	
40C	7027007	1	Cable (Red)	
40D	7027002	1	Cable (Red)	
40E	7027003	1	Cable (Black)	
41	3311505	6	Locknut 5/16in-18NC	
42	3380429	1	Panel, Rubber	
43	3539957	2	Plate	
44	0641406	1	Bolt 1/4in-20NC x 3/4in (SN 0300084827 to SN 0300087000)	
45	1320222	1	Clamp (SN 0300084827 to SN 0300087000)	
		Ref	ENGINE AND PUMP ASSEMBLIES	
	2000257	Ref	2WD (SN 0300068000 to SN 0300084827)	B
	2000298	Ref	2WD (SN 0300084827 to SN 0300087000)	A
	2000258	Ref	4WD (SN 0300068000 to SN 0300084827)	B
	2000297	Ref	4WD (SN 0300084827 to SN 0300087000)	A
101	0100011	AR	Compound, Locking	
102	0641407	1	Bolt 1/4in-20NC x 7/8in	
103	0641812	2	Bolt 1/2in-13NC x 1-1/2in	
104	Not Used			
105	3020016	1	Oil, Motor 15W-40 (Not Shown)	
106	3311405	1	Locknut 1/4in-20NC	
107	3422532	1	Pin, Hitch	
108		1	Piston Pump Assembly with Fittings Options (See PISTON PUMP ASSEMBLY for Breakdown):	
	3600394		2WD	
	3600396		4WD	
109	3600395	1	Load Sensing Pump Assembly with Fittings (See GEAR PUMP ASSEMBLY for Breakdown)	
110	3790152	1	O-Ring	
111	3931620	2	Bolt 3/8in-16NC x 1-1/4in	
112	3960389	5ft/1.5m	Seal	
113	4751400	1	Flatwasher 1/4in Regular	
114	4891600	2	Flatwasher 3/8in Hardened	
115	2300004	2.63gal	Fluid, Anti Freeze	
		Ref	ENGINE ASSEMBLIES	
	2000211	Ref	SN 0300068000 to SN 0300084827	D
	2000296	Ref	SN 0300084827 to SN 0300087000	B
201	0080201	1	Adapter 90 Elbow	
202	0080214	1	Adapter, Fan Spacer	
203	0100011	AR	Compound, Locking	
204	0100020	AR	Sealant, Pipe	
205	0340041	2	Band, Air Cleaner	
206	0340046	2	Band, Muffler	
207	0641406	2	Bolt 1/4in-20NC x 3/4in	
208	0641408	6	Bolt 1/4in-20NC x 1in	

SECTION 2 TURNTABLE

FIGURE 2-12. FORD ENGINE INSTALLATION (SN 0300079619 TO SN 0300087000)

ITEM #	PART NUMBER	QTY.	DESCRIPTION	REV.
209	0641414	4	Bolt 1/4in-20NC x 1-3/4in	
210	0641608	14	Bolt 3/8in-16NC x 1in	
211	0641610	10	Bolt 3/8in-16NC x 1-1/4in	
212	0641612	8	Bolt 3/8in-16NC x 1-1/2in	
213	0641828	4	Bolt 1/2in-13NC x 3-1/2in	
214	0641507	4	Bolt 5/16in-18NC x 7/8in	
215	0701012	4	Bolt 10mm x 25mm	
216	0701014	4	Bolt 10mm x 30mm	
217	0760606	4	Bolt 6mm x 12mm	
218	0903079	1	Bracket, Muffler	
219	0961986	2	Bushing, Flanged	
220	1320012	4	Clamp	
221	1320016	3	Clamp	
222	1320022	1	Clamp, Hose	
223	1320033	8	Clamp, Hose	
224	1321138	3	Plate, Exhaust Flange	
225	1340060	1	Air Cleaner Assembly Including Filter Element	
	7012664	1	Element, Filter (Not Shown)	
226	0700819	4	Bolt 8mm x 55mm	
227	4920385	7ft/2.1m	Wire, Safety (Not Shown)	
228	1703162	2	Decal - Caution Fan Blade	
229	2000272	1	Engine (See Items 301-326 for Engine Components)	
230	2060025	1	Fan	
231	2180467	1	Fitting	
232	2180798	1	Fitting, Restriction Indicator (SN 0300068000 to SN 0300084827)	
233	2720435	1	Hose, Radiator (Bottom)	
234	2720436	1	Hose, Radiator (Upper)	
235	2720514	1	Hose, 45 Elbow	
236	2750532	6in/15cm	Hose, Oil Drain	
237	2820172	1	Insulation, Exhaust (Shield)	
238	2820173	3	Insulation, Exhaust (Elbow)	
240	3200362	4	Mount, Motor	
241	4831900	4	Lockwasher M8	
242	3311405	12	Locknut 1/4in-20NC	
243	3311605	30	Locknut 3/8in-16NC	
244	3311805	4	Locknut 1/2in-13NC	
245	3539872	1	Plate, Radiator Mounting	
246	3572280	1	Plate, Engine Mount	
247	3574162	1	Plate, ECM/Relay Mount	
248	3574504	1	Plate, Engine Mount	
249	3620040	1	Radiator	
250	3740067	1	Relay	
251	3960591	3	Gasket, Exhaust	
252	4360392	1	Indicator, Restriction (SN 0300068000 to SN 0300084827)	
253	4566605	1	Tube, Spacer	
254	4567879	1	Tube, Exhaust	
255		1	Tube, Intake Options:	
	4568951		SN 0300068000 to SN 0300084827	
	4569173		SN 0300084827 to SN 0300087000	

SECTION 2 TURNTABLE

FIGURE 2-12. FORD ENGINE INSTALLATION (SN 0300079619 TO SN 0300087000)

ITEM #	PART NUMBER	QTY.	DESCRIPTION	REV.
256	4569083	1	Tube, Exhaust	
257	3460398	1	Pipe, Exhaust	
258	4640989	1	Valve, Oil Drain	
259	4711400	12	Flatwasher 1/4in Thin	
260	4711600	12	Flatwasher 3/8in Thin	
261	4740274	4	Washer, Snubbing	
262	4751400	14	Flatwasher 1/4in Regular	
263	4751500	8	Flatwasher 5/16in Regular	
264	4751600	51	Flatwasher 3/8in Regular	
265	Not Used			
266	4812000	4	Flatwasher M10	
267	4832000	4	Lockwasher M10	
268	4845404	1	Tray, Engine	
269	4846806	1	Plate, Engine Mounting	
270	0641606	1	Bolt 3/8in-16NC x 3/4in	
271	0940070	1	Bumper	
272	1320223	3	J-Clip	
273	3960469	1	Seal	
274	4060805	37in/1m	Flex-Trim	
275	3311505	4	Locknut 5/16in-18NC	
276	3960468	1	Seal	
	2000272	Ref	ENGINE COMPONENTS	B
301	3600377	1	Fuel Pump & Isolator Assembly (was p/ns 7022133 &7027407)	
	7022134	1	Harness, Fuel Pump	
302	91083218	1	Filter, Fuel (was p/n 7022135)	
303	7012679	1	Starter (was p/n 7027408)	
304	7019977	1	Alternator with Regulator & Pulley	
	7000897	1	Alternator without Regulator & Pulley	
305	7023683	1	Actuator, Throttle	
	7027404	1	Gasket, Actuator (Not Shown)	
306	7019996	1	Sensor, Air Temperature (was p/n 7023661)	
307	7023681	1	Harness, Engine Control (Not Shown) (was p/n 7027403)	
308	7022139	1	Sensor, MAP	
309	7023682	1	Sensor, EGR	
310	2420187	1	Dipstick (was p/n 7022140)	
	4564281	1	Tube, Dipstick	
311	7027400	1	Mixer Assembly	
312	Not Used			
313	7021868	1	Filter, Oil (was p/n 7022147, 7022173 & 7014501)	
314	1660250	1	Coupling, Pump	
	7019976	1	Flywheel Assembly (Not Shown)	
	7012180	1	Ring Gear (Not Shown)	
315	7019993	1	Pressure Regulator & Filter Assembly	
316	0902539	1	Bracket	
317	1600374	1	Module, EPM	
	7027413	1	Harness, EPM Jumper	
318	3220134	1	Muffler	

SECTION 2 TURNTABLE

FIGURE 2-12. FORD ENGINE INSTALLATION (SN 0300079619 TO SN 0300087000)

ITEM #	PART NUMBER	QTY.	DESCRIPTION	REV.
319	0903010	1	Bracket, LP Regulator	
320	7023698	1	Regulator, LP	
321	7019994	1	Sensor, EGR (was p/n 7027406)	
322	70002307	1	Gasket, Exhaust (Manifold to Pipe)	
	7022143	1	Gasket, Exhaust (Manifold to Cylinder Head) (was p/n (7027401) Not Shown)	
323	7027402	1	Belt, Drive	
324	7027405	4	Spark Plug (Not Shown)	
325	1580011	1	Bottle, Overflow	
326	7027409	1	LP Filter Shutoff W/Leads	
327	7023699	1	Megajector	
	7027410	1	Harness, Megajector	
	70001690	1	Hose Kit - Megajector	
328	7019925	1	PCV Valve (Not Shown)	
329	7022155	1	Sensor, Water Temperature (Not Shown)	
330	70002567	1	Tensioner, Belt	
331	7022150	1	Belt, Timing (Not Shown)	

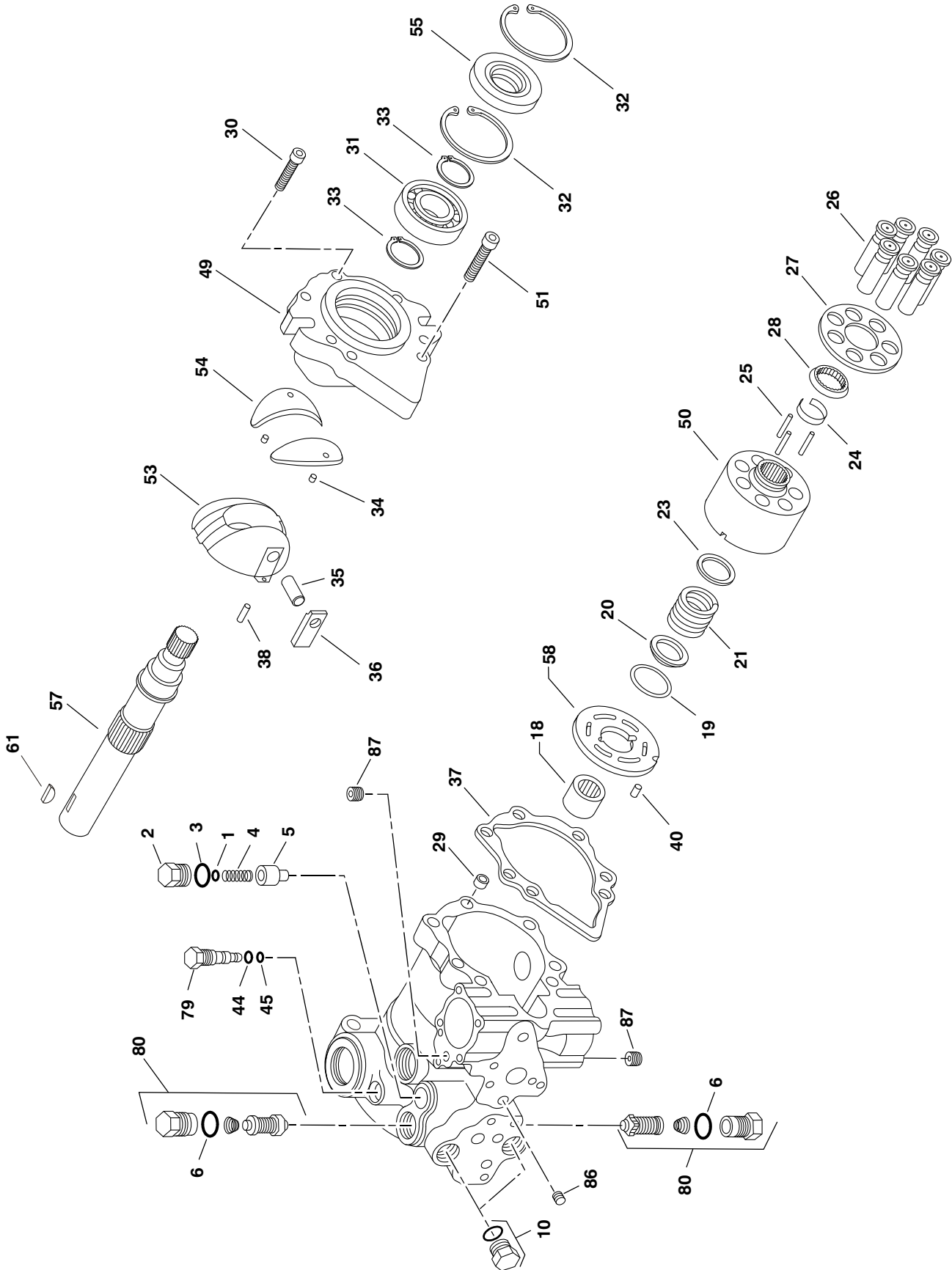
SECTION 2 TURNTABLE

FIGURE 2-12. FORD ENGINE INSTALLATION (SN 0300079619 TO SN 0300087000)

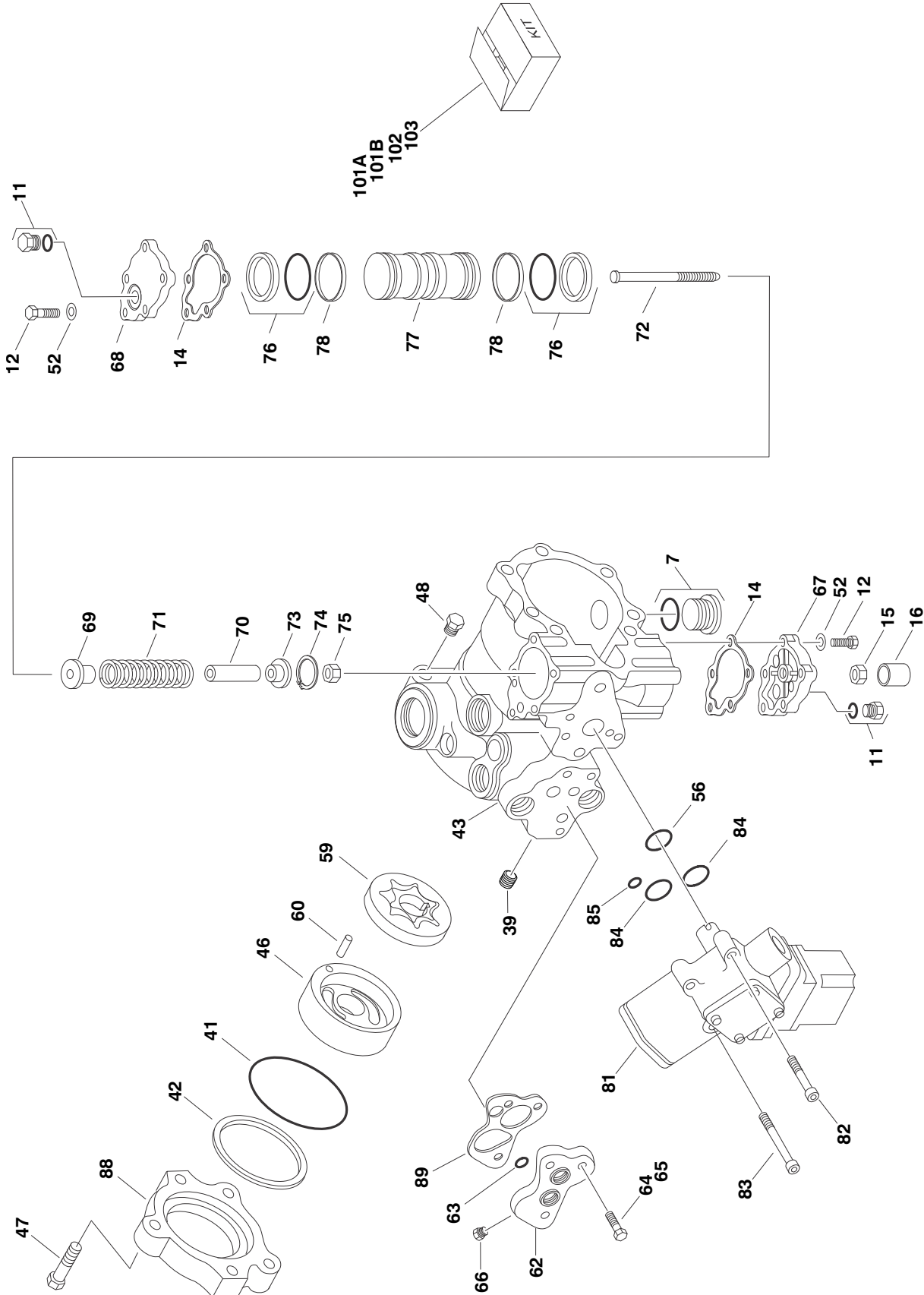
ITEM #	PART NUMBER	QTY.	DESCRIPTION	REV.

SECTION 2 TURNTABLE

FIGURE 2-13. PISTON PUMP ASSEMBLY (SN 0300068000 TO SN 0300075606)



SECTION 2 TURNTABLE



SECTION 2 TURNTABLE

FIGURE 2-13. PISTON PUMP ASSEMBLY (SN 0300068000 TO SN 0300075606)

ITEM #	PART NUMBER	QTY.	DESCRIPTION	REV.
	3600260	Ref	PISTON PUMP ASSEMBLY	—
1	7007413	1	Shim Kit	
2	7007414	1	Plug	
3	Use 2900752	1	O-Ring	
4	7007416	1	Spring, Relief Valve	
5	7007417	1	Valve, Relief	
6	Use 2900752	2	O-Ring	
7	7007419	2	Plug	
8	Not Used			
9	Not Used			
10	7007420	2	Plug	
11	7007208	2	Plug	
12	7007421	10	Screw	
13	Not Used			
14	Use 2900752	2	Gasket, Servo Cover	
15	7007423	1	Nut, Special	
16	7007424	1	Cover, Adjustment	
17	Not Used			
18	7007425	1	Bearing, Needle	
19	Use 2900827	1	Ring, Retaining	
20	Use 2900827	1	Washer	
21	Use 2900827	1	Spring	
22	Not Used			
23	Use 2900827	1	Washer	
24	Use 2900827	1	Retainer	
25	Use 2900827	3	Pin, Slipper Holddown	
26	Use 2900827	7	Piston Assembly	
27	Use 2900827	1	Retainer, Slipper	
28	Use 2900827	1	Guide, Retainer	
29	7007435	1	Pin, Spring	
30	7007436	1	Screw, 12 Point Head	
31	7007437	1	Bearing, Ball	
32	7007438	2	Ring, Retainer	
33	7007439	2	Ring	
34	7007440	2	Pin, Spring	
35	7007441	1	Handle, Pin	
36	7007442	1	Sleeve, Bearing	
37	Use 2900752	1	Gasket, Front Cover	
38	7007444	1	Pin	
39	7007445	1	Plug, Expansion	
40	Use 2900827	1	Pin	
41	See Note	1	O-Ring (Note: Use Item 101A or 102)	
42	See Note	1	Ring, Load Temper (Note: Use Item 101A or 102)	
43	7007449	1	Housing, Pump	
44	Use 2900752	1	Ring, Back-Up	
45	Use 2900752	1	O-Ring	
46	Use 2900826	1	Cover, Gerotor	
47	7007453	3	Bolt, Hex	

SECTION 2 TURNTABLE

FIGURE 2-13. PISTON PUMP ASSEMBLY (SN 0300068000 TO SN 0300075606) (CONTINUED)

ITEM #	PART NUMBER	QTY.	DESCRIPTION	REV.
48	7007208	1	Plug	
49	7007454	1	Cover, Front	
50	Use 2900827	1	Block, Cylinder	
51	7007456	6	Screw	
52	7001438	10	Washer	
53	Use 2900827	1	Swashplate	
54	7007458	1	Journal, Bearing	
55	See Note	1	Seal, Lip (Note: Use Item 100A or 101B)	
56	Use 2900752	1	O-Ring	
57	7010121	1	Shaft, Main Pump	
58	7021214	1	Plate, Valve	
59	7007463	1	Gerotor Assembly	
60	Use 2900826	1	Pin	
61	Use 2900826	1	Key, Woodruff	
62	7007466	1	Adaptor, Remote Filtration (Without By-Pass)	
63	Use 2900752	3	O-Ring	
64	7007468	2	Screw	
65	7007469	2	Screw	
66	7007470	1	Plug	
67	7007471	1	Cover, Servo (With Adjuster)	
	7007490	2	Stop, Servo (Not Shown)	
	7007491	2	Nut, Special (Not Shown)	
	7007492	2	Ring, External (Not Shown)	
68	7007482	1	Cover, Servo (Without Adjuster)	
69	7007483	1	Guide, Spring	
70	7007484	1	Stop, Servo	
71	7007485	1	Spring	
72	7007486	1	Screw	
73	7007487	1	Guide, Spring	
74	7007488	1	Ring, Retaining	
75	7007499	1	Locknut	
76	See Note	2	Ring, Piston (Note: Use Item 101A or 101B)	
77	7007494	1	Piston, Servo	
78	See Note	2	O-Ring (Note: Use Item 101A or 101B)	
79	7007472	1	Valve, Bypass	
80	Use 7010122	2	Valve, Pressure Relief (Includes Item 6) (was p/n 7007473)	
81	7007474	1	Control, Dual Oil-Filled	
	7007496	1	Coil Assembly (Pilot)	
	7007497	1	Plug (Pump)	
	7007498	1	Plug (Valve Harness)	
82	7007478	2	Screw	
83	7001498	2	Screw	
84	Use 2900752	2	O-Ring	
85	Use 2900752	1	O-Ring	
86	7007475	1	Plug, Orifice/Screen (.156)	
87	7007477	2	Plug, Orifice (.37)	
88	7007476	1	Adapter, Auxiliary Pump	
89	7010120	1	Spacer/Gasket	

SECTION 2 TURNTABLE

FIGURE 2-13. PISTON PUMP ASSEMBLY (SN 0300068000 TO SN 0300075606) (CONTINUED)

ITEM #	PART NUMBER	QTY.	DESCRIPTION	REV.
101		AR	Seal Kit Options:	
101A	2900752	1	Seal Kit - Complete (Includes Items 3, 6, 14, 37, 41, 42, 44, 45, 55, 56, 63, 76, 78, 84 & 85)	
101B	7007412	1	Seal Kit - Servo Piston (Includes Items 76 & 78)	
102	2900826	1	Charge Pump Kit (Includes Items 41,42,46,59,60 & 61)	
103	2900827	1	Cylinder Block Kit (Includes Items 19-28,40,50,53,55 & 58)	

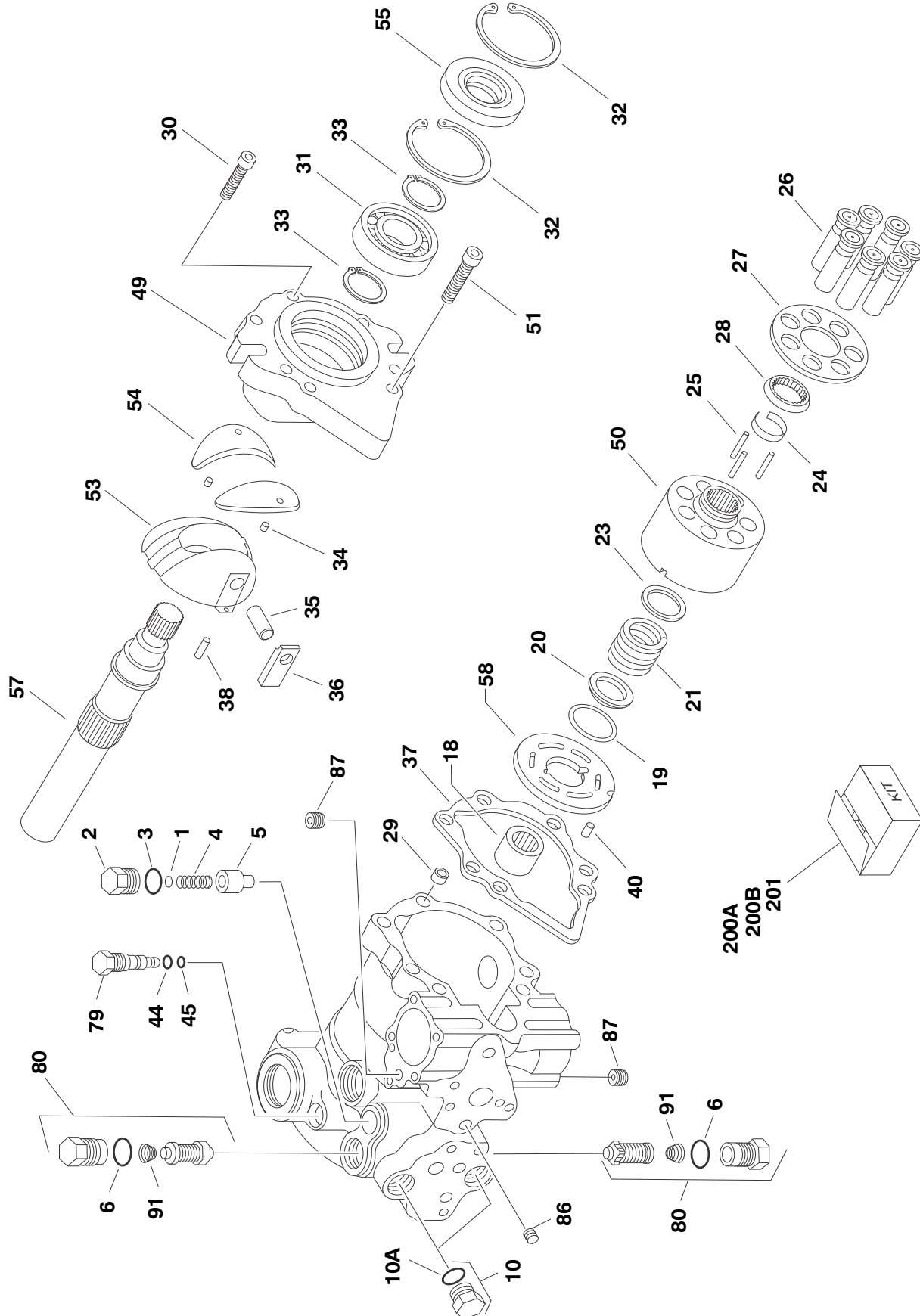
SECTION 2 TURNTABLE

FIGURE 2-13. PISTON PUMP ASSEMBLY (SN 0300068000 TO SN 0300075606) (CONTINUED)

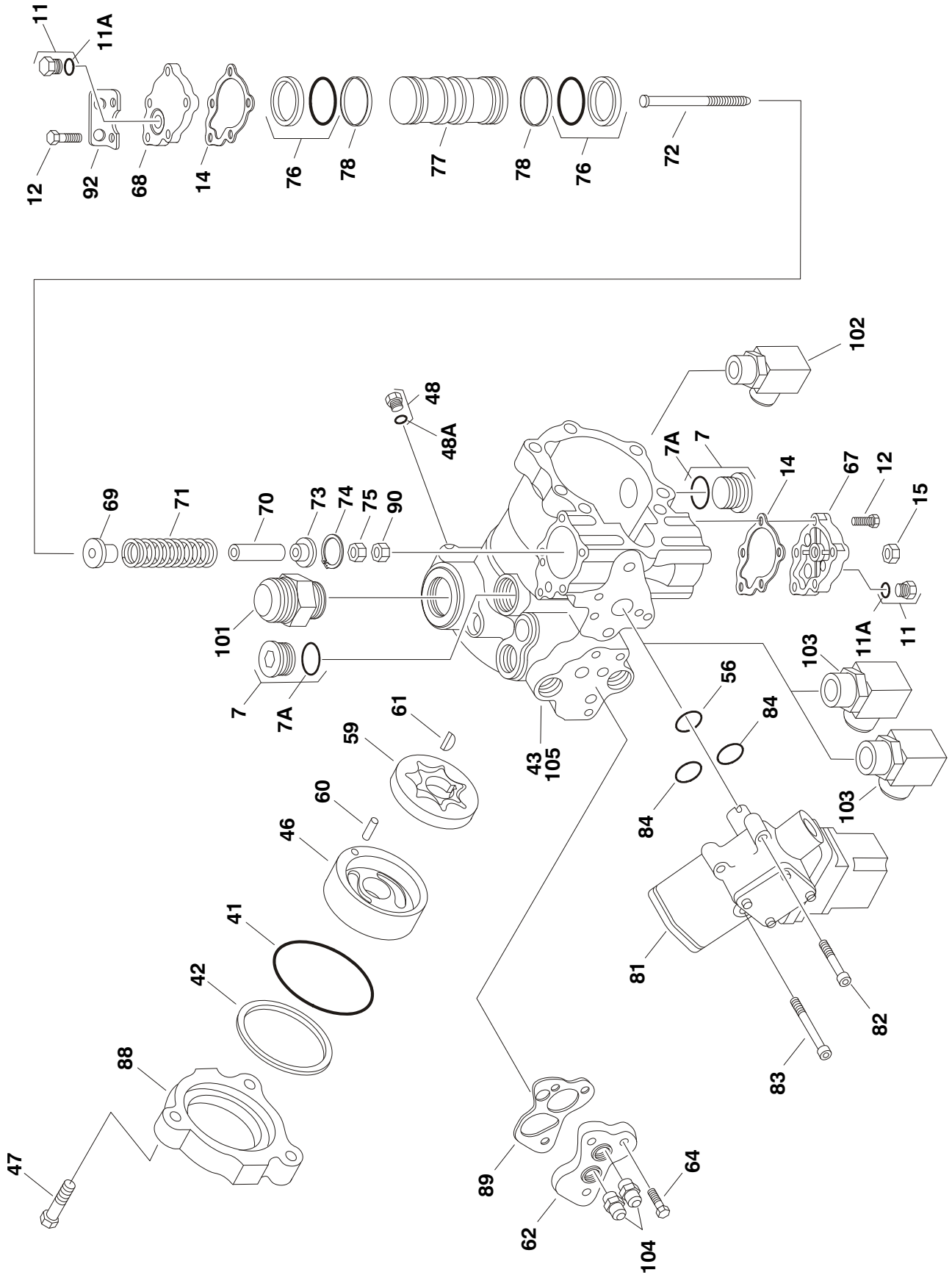
ITEM #	PART NUMBER	QTY.	DESCRIPTION	REV.

SECTION 2 TURNTABLE

FIGURE 2-14. PISTON PUMP ASSEMBLY (SN 0300075606 TO SN 0300087000)



SECTION 2 TURNTABLE



SECTION 2 TURNTABLE

FIGURE 2-14. PISTON PUMP ASSEMBLY (SN 0300075606 TO SN 0300087000)

ITEM #	PART NUMBER	QTY.	DESCRIPTION	REV.
		Ref	PISTON PUMP ASSEMBLY	
	3600388	Ref	2WD	A
	3600381	Ref	4WD	A
1	7007413	1	Shim Kit	
2	7024874	1	Plug (Pump Assembly p/n 3600388) (2WD)	
	7007414	1	Plug (Pump Assembly p/n 3600381) (4WD)	
3	Use 7021232	1	O-Ring	
4	7021200	1	Spring, Relief Valve	
5	7007417	1	Valve, Relief	
6	Use 7021232	2	O-Ring	
7	7007419	2	Plug	
7A	7007418	2	O-Ring	
8	Not Used			
9	Not Used			
10	7007470	2	Plug	
10A	7021256	2	O-Ring	
11	7007470	2	Plug	
11A	7021256	2	O-Ring	
12	7021223	10	Screw	
13	Not Used			
14	Use 7021232	2	Gasket, Servo Cover	
15	7007423	1	Nut, Special	
16	Not Used			
17	Not Used			
18	7007425	1	Bearing, Needle	
19	Use 7010116	1	Ring, Retaining	
20	Use 7010116	1	Washer	
21	Use 7010116	1	Spring	
22	Not Used			
23	Use 7010116	1	Washer	
24	Use 7010116	1	Retainer	
25	Use 7010116	3	Pin, Slipper Holddown	
26	Use 7010116	7	Piston Assembly	
27	Use 7010116	1	Retainer, Slipper	
28	Use 7010116	1	Guide, Retainer	
29	7007435	1	Pin, Spring	
30	7021202	1	Screw	
31	7007437	1	Bearing, Ball	
32	7007438	2	Ring, Retainer	
33	7007439	2	Ring	
34	7021203	2	Pin, Spring	
35	7007441	1	Handle, Pin	
36	7007442	1	Sleeve, Bearing	
37	Use 7021232	1	Gasket, Front Cover	
38	7007444	1	Pin	
39	Not Used			
40	7007446	1	Pin	
41	Use 7021232	1	O-Ring	

SECTION 2 TURNTABLE

FIGURE 2-14. PISTON PUMP ASSEMBLY (SN 0300075606 TO SN 0300087000) (CONTINUED)

ITEM #	PART NUMBER	QTY.	DESCRIPTION	REV.
42	Use 7021232	1	Ring, Load Temper	
43	7023977	1	Housing, Pump	
44	Use 7021232	1	Ring, Back-Up	
45	Use 7021232	1	O-Ring	
46	7007452	1	Cover, Gerotor	
47	7007453	3	Bolt, Hex	
48	7007208	1	Plug	
48A	7007207	1	O-Ring	
49	7024875	1	Cover, Front (Pump Assembly p/n 3600388) (2WD)	
	7007454	1	Cover, Front (Pump Assembly p/n 3600381) (4WD)	
50	Use 7010116	1	Block, Cylinder	
51	7021207	6	Screw	
52	Not Used			
53	7007457	1	Swashplate	
54	7021210	1	Journal, Bearing (Pump Assembly p/n 3600388) (2WD)	
	7021212	1	Journal, Bearing (Pump Assembly p/n 3600381) (4WD)	
55	Use 7021232	1	Seal, Lip	
56	Use 7021232	1	O-Ring	
57	7010121	1	Shaft, Main Pump	
58	7021214	1	Plate, Valve	
59	7007463	1	Gerotor Assembly	
60	7007464	1	Pin	
61	7007465	1	Key, Woodruff	
62	7007466	1	Adaptor, Remote Filtration (Without By-Pass)	
63	Not Used			
64	7021218	3	Screw	
65	Not Used			
66	Not Used			
67	7021220	1	Cover, Servo (Without Adjuster)	
68	7021219	1	Cover, Servo (Without Adjuster)	
69	7023979	1	Guide, Spring	
70	7007484	1	Stop, Servo	
71	7007485	1	Spring	
72	7021221	1	Screw	
73	7007487	1	Guide, Spring	
74	7007488	1	Ring, Retaining	
75	7021222	1	Locknut	
76	See Note	2	Ring, Piston (Note: Use Item 200A or 200B)	
77	7007494	1	Piston, Servo	
78	See Note	2	O-Ring (Note: Use Item 200A or 200B)	
79	7024877	1	Valve, Bypass (Pump Assembly p/n 3600388) (2WD)	
	7007472	1	Valve, Bypass (Pump Assembly p/n 3600381) (4WD)	
80	7010122	2	Valve, Pressure Relief (Includes Item 6) (Pump Assembly p/n 3600388) (2WD)	
	7024851	2	Valve, Pressure Relief (Includes Item 6) (Pump Assembly p/n 3600381) (4WD)	
81	7007474	1	Control, Dual Oil-Filled	
	7007496	1	Coil Assembly (Pilot)	
	7007497	1	Plug (Pump)	
	7007498	1	Plug (Valve Harness)	

SECTION 2 TURNTABLE

FIGURE 2-14. PISTON PUMP ASSEMBLY (SN 0300075606 TO SN 0300087000) (CONTINUED)

ITEM #	PART NUMBER	QTY.	DESCRIPTION	REV.
82	7001498	2	Screw	
83	7007478	2	Screw	
84	7001433	2	O-Ring	
85	Not Used			
86	7007475	1	Plug, Orifice/Screen (.156)	
87	7007477	2	Plug, Orifice (.37)	
88	7007476	1	Adapter, Auxiliary Pump	
89	7021217	1	Spacer/Gasket	
90	7021206	1	Nut	
91	7024800	2	Spring	
92	7021201	1	Bracket, Lifting	
		Ref	PISTON PUMP AND FITTING ASSEMBLIES	
	3600394	Ref	2WD	B
	3600396	Ref	4WD	A
101	2220479	1	Fitting, Straight	
102	2220578	1	Fitting, 90	
103	2220646	2	Fitting, 90	
104	2220947	2	Fitting, Straight	
105		1	Pump Options (Includes Items 1 - 92)	
	3600388		2WD	
	3600381		4WD	
		Ref	KIT OPTIONS:	
200		AR	Seal Kit Options:	
200A	7021232	1	Seal Kit - Complete (Includes Items 3, 6, 14, 37, 41, 42, 44, 45, 55, 56, 76, 78, 84 & 89)	
200B	7007412	1	Seal Kit - Servo Piston (Includes Items 76 & 78)	
201	7010116	1	Cylinder Block Kit (Includes Items 19-28, & 50)	

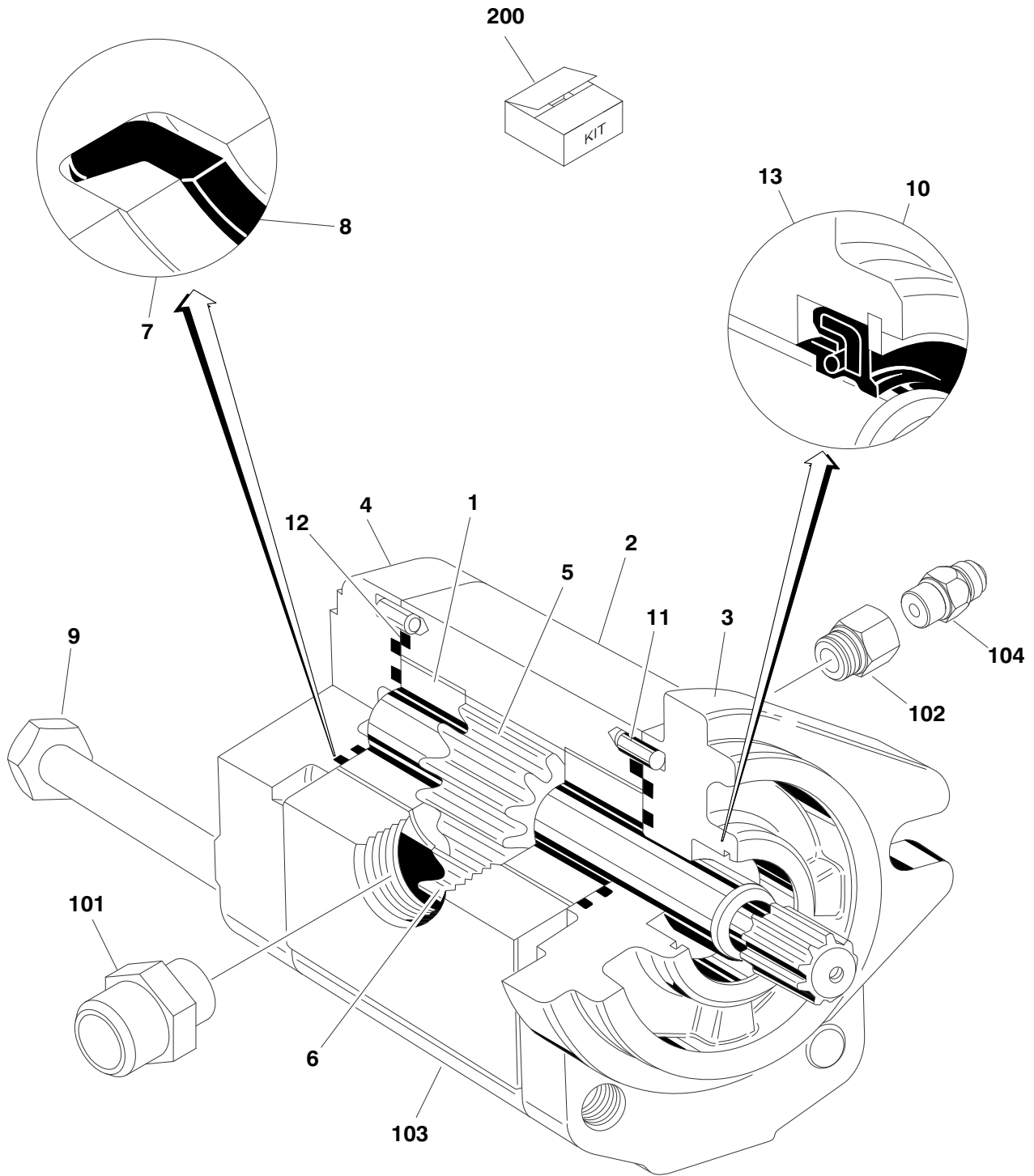
SECTION 2 TURNTABLE

FIGURE 2-14. PISTON PUMP ASSEMBLY (SN 0300075606 TO SN 0300087000) (CONTINUED)

ITEM #	PART NUMBER	QTY.	DESCRIPTION	REV.

SECTION 2 TURNTABLE

FIGURE 2-15. GEAR PUMP ASSEMBLY



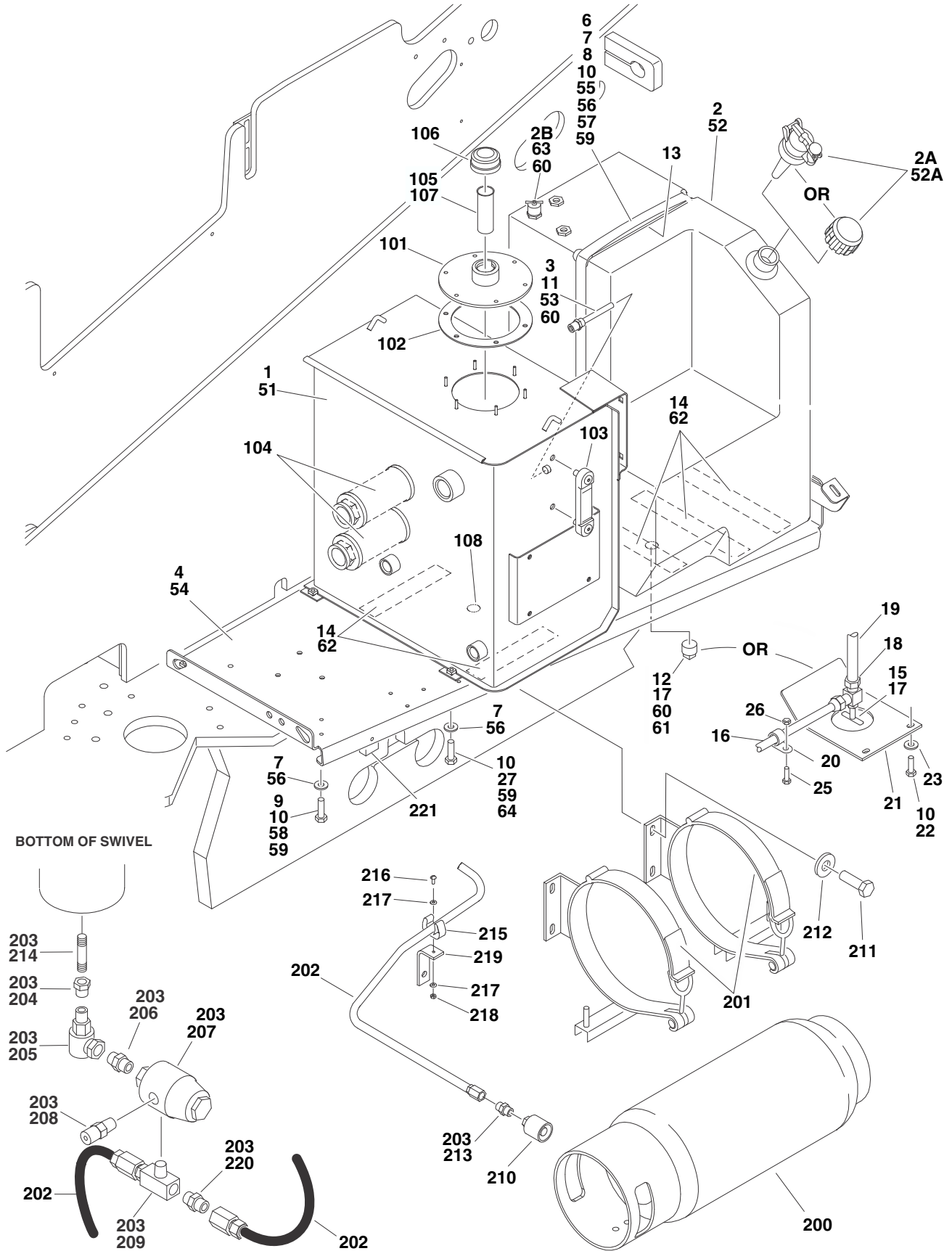
SECTION 2 TURNTABLE

FIGURE 2-15. GEAR PUMP ASSEMBLY

ITEM #	PART NUMBER	QTY.	DESCRIPTION	REV.
	3600242	Ref	GEAR PUMP ASSEMBLY	
1	7010105	2	Bearing/Bushing	
2	See Note	1	Housing (Note: Not Available - Purchase p/n 3600242 Complete Replacement.)	
3	See Note	1	Flange (Note: Not Available - Purchase p/n 3600242 Complete Replacement.)	
4	7010103	1	Cover	
5	7012987	1	Gear, Drive	
6	7012988	1	Gear, Idler	
7	Use 7007489	2	Ring, Anti-Extrusion	
8	Use 7007489	2	Seal	
9	See Note	4	Bolt (Note: Not Available for Purchase.)	
10	7010104	1	Ring, Retaining	
11	See Note	4	Pin, Dowel (Note: Not Available for Purchase.)	
12	Use 7007489	2	Seal, O-Ring	
13	Use 7007489	1	Seal, Shaft	
	3600395	Ref	GEAR PUMP AND FITTING ASSEMBLY	A
101	2220376	1	Fitting, Straight	
102	2220810	1	Fitting, Reducer	
103	3600242	1	Pump (Includes Items 1 - 13)	
104	4640744	1	Fitting, Check Valve	
		Ref	KIT OPTIONS	
200	7007489	1	Seal Kit (Includes Items 7,8,12 & 13)	

SECTION 2 TURNTABLE

FIGURE 2-16. TANK INSTALLATIONS



SECTION 2 TURNTABLE

FIGURE 2-16. TANK INSTALLATIONS

ITEM #	PART NUMBER	QTY.	DESCRIPTION	REV.
		Ref	TANKS INSTALLATIONS - NON U/L MACHINES	
	0254849	Ref	Diesel Machines	9
	0271250	Ref	Gas/Dual Fuel Machines	3
1	4400449	1	Hydraulic Tank Assembly (See Items 101-108 for Breakdown)	
2	4400400	1	Tank, Fuel	
2A		1	Cap Options:	
	7016314		Standard Black Cap	
	1120484		Optional Red Cap (Gas/Dual Fuel Machines) (Not Included with Tank)	
	1120487		Optional Blue Cap (Diesel Machines) (Not Included with Tank)	
2B	7019658	1	Tube, Fuel Pick-up (with Fitting)	
3	4360436	1	Switch, Fuel Level	
4	4845393	1	Hydraulic Tray Weldment	
5	Not Used			
6	4240113	1	Strap, Tank	
7	4751600	12	Flatwasher 3/8in Regular	
8	3311601	AR	Nut 3/8in-16NC	
9	0641614	6	Bolt 3/8in-16NC x 1-3/4in	
10	0100011	AR	Compound, Locking	
11	0100079	AR	Sealant, Pipe	
12	2200233	1	Fitting	
13	4280295	25in/44cm	Strip, Protective	
14	4420038	70in/1.78m	Tape, Rubber	
		Ref	Note: Items 15 - 24 Used on Gas Machines Only	
15	4641022	1	Valve, Needle	
16	4568116	1	Tube, Fuel	
17	0100020	AR	Sealant	
18	0100062	AR	Retaining Compound #680	
19	4568119	1	Tube, Fuel	
20	1320245	1	Clamp	
21	3572423	1	Plate, Valve, Needle	
22	0641508	2	Bolt 5/16in-18NC x 1in	
23	4711500	4	Flatwasher 5/16in Thin	
24	3311505	2	Locknut 5/16in-18NC	
25	0641412	1	Bolt 1/4in-20NC x 1-1/2in	
26	3311405	1	Locknut 1/4in-20NC x 1-1/2in	
27	0641608	4	Bolt 3/8in-16NC x 1in	
		Ref	TANKS INSTALLATION - U/L MACHINES	
	0257705	Ref	Gas/Diesel	3
	0258607	Ref	LP Gas Only	2
51	4400449	1	Hydraulic Tank Assembly (See Items 101-108 for Breakdown)	D
52	4400407	1	Tank, Fuel (Not Required on LP Gas Only Machines)	
52A	7016314	1	Cap, Black Fuel (Not Required on LP Gas Only Machines)	
53	4360436	1	Switch, Fuel Level (Not Required on LP Gas Only Machines)	

SECTION 2 TURNTABLE

FIGURE 2-16. TANK INSTALLATIONS (CONTINUED)

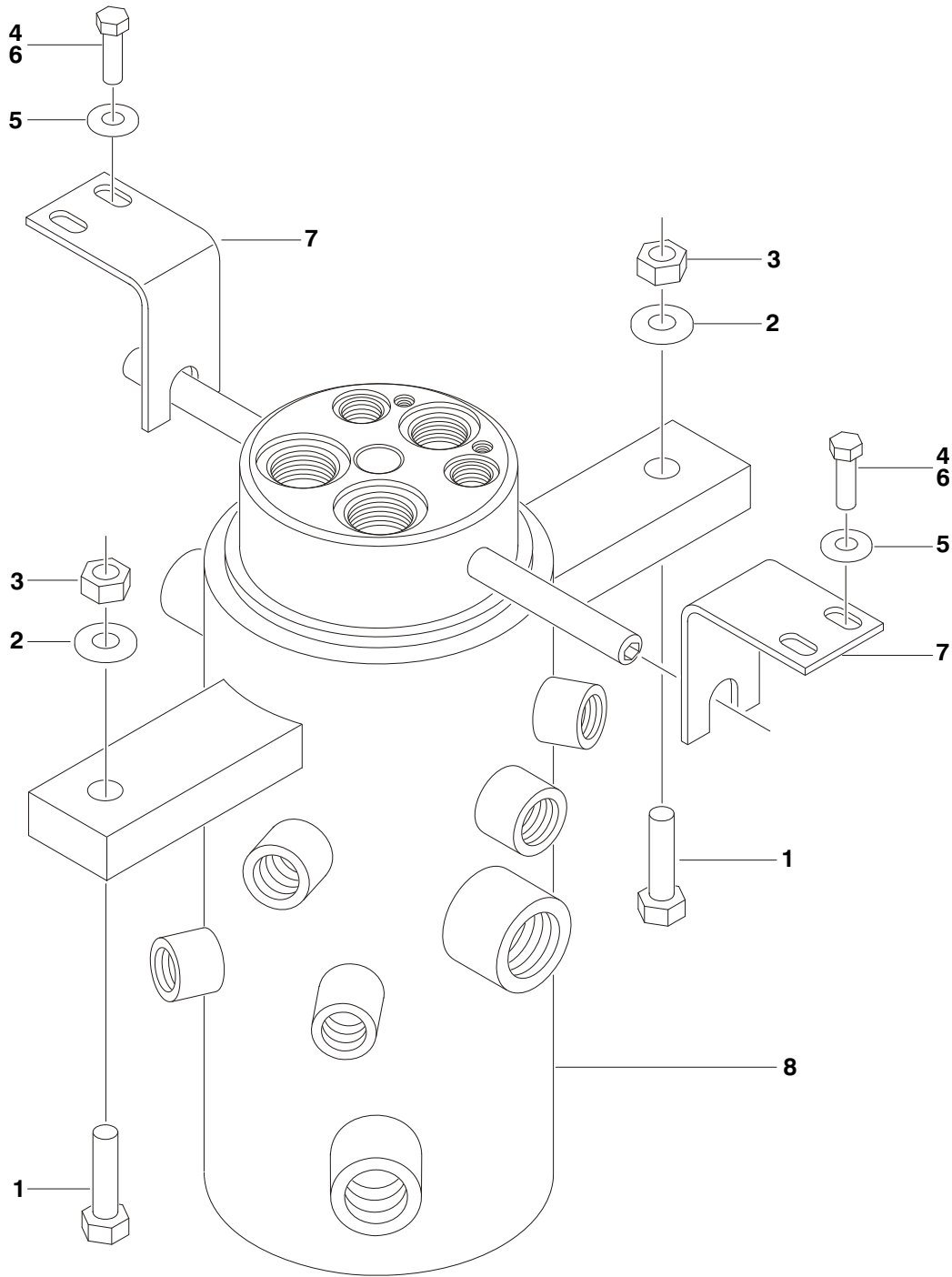
ITEM #	PART NUMBER	QTY.	DESCRIPTION	REV.
54	4845393	1	Tray, Hydraulic	
55	Not Used			
56	4751600	AR	Flatwasher 3/8in Regular	
57	3311601	AR	Nut 3/8in-16NC	
58	0641614	6	Bolt 3/8in-16NC x 1-3/4in	
59	0100011	AR	Compound, Locking	
60	0100020	AR	Sealant, Pipe	
61	2200222	1	Plug, Pipe (Not Required on LP Gas Only Machines)	
62	4420038	AR	Moulding	
63	4641022	1	Valve, Needle (Not Required on LP Gas Only Machines)	
64	0641608	4	Bolt 3/8in-16NC x 1in	
	4400449	Ref	HYDRAULIC TANK ASSEMBLY	A
101	7024439	1	Cover	
102	7024440	1	Gasket	
103	7024441	1	Gauge, Sight	
104	7024442	2	Strainer	
105	7024443	1	Filler Neck	
106	7024444	1	Cap, Vented	
107	7024445	1	Strainer	
108	7024446	1	Plug, Magnetic	
	0255524	Ref	LP TANK BRACKETS INSTALLATION	7
200		1	Tank, LP - 43.5 Lbs. Options:	
	4400275		Aluminum	
	4400420		Steel	
201	1320220	2	Clamp	
	1320127	2	Clamp, Toggle (1 Per Clamp)	
202	2720144	2	Hose	
203	0100020	AR	Sealant, Pipe	
204	2221019	1	Fitting, Reducer	
205	2180125	1	Fitting, 90 Swivel	
206	2220261	1	Fitting, Nipple	
207	2180388	1	Fitting, Bulkhead	
208	2180389	1	Valve, Relief	
209	2220418	1	Fitting, Tee Options:	
210	2180387	2	Fitting, Straight	
211	0641606	8	Bolt 3/8in-16NC x 3/4in	
212	4751600	8	Flatwasher 3/8in Regular	
213	2180418	2	Fitting, Connector	
214	2221018	1	Fitting, Nipple	
215	1320218	2	Clamp, Spring	
216	3910808	2	Screw, Round Head #8-32NC x 1/2in	
217	4750800	4	Flatwasher #8 Regular	
218	3310805	2	Locknut #8-32NC	
219	0181949	2	Angle, Support	
220	2221024	2	Fitting, Union Ball Check	

FIGURE 2-16. TANK INSTALLATIONS (CONTINUED)

ITEM #	PART NUMBER	QTY.	DESCRIPTION	REV.
221	0362519	4	Bar	

SECTION 2 TURNTABLE

FIGURE 2-17. ROTARY COUPLING INSTALLATION (SN 0300068000 TO SN 0300075606)



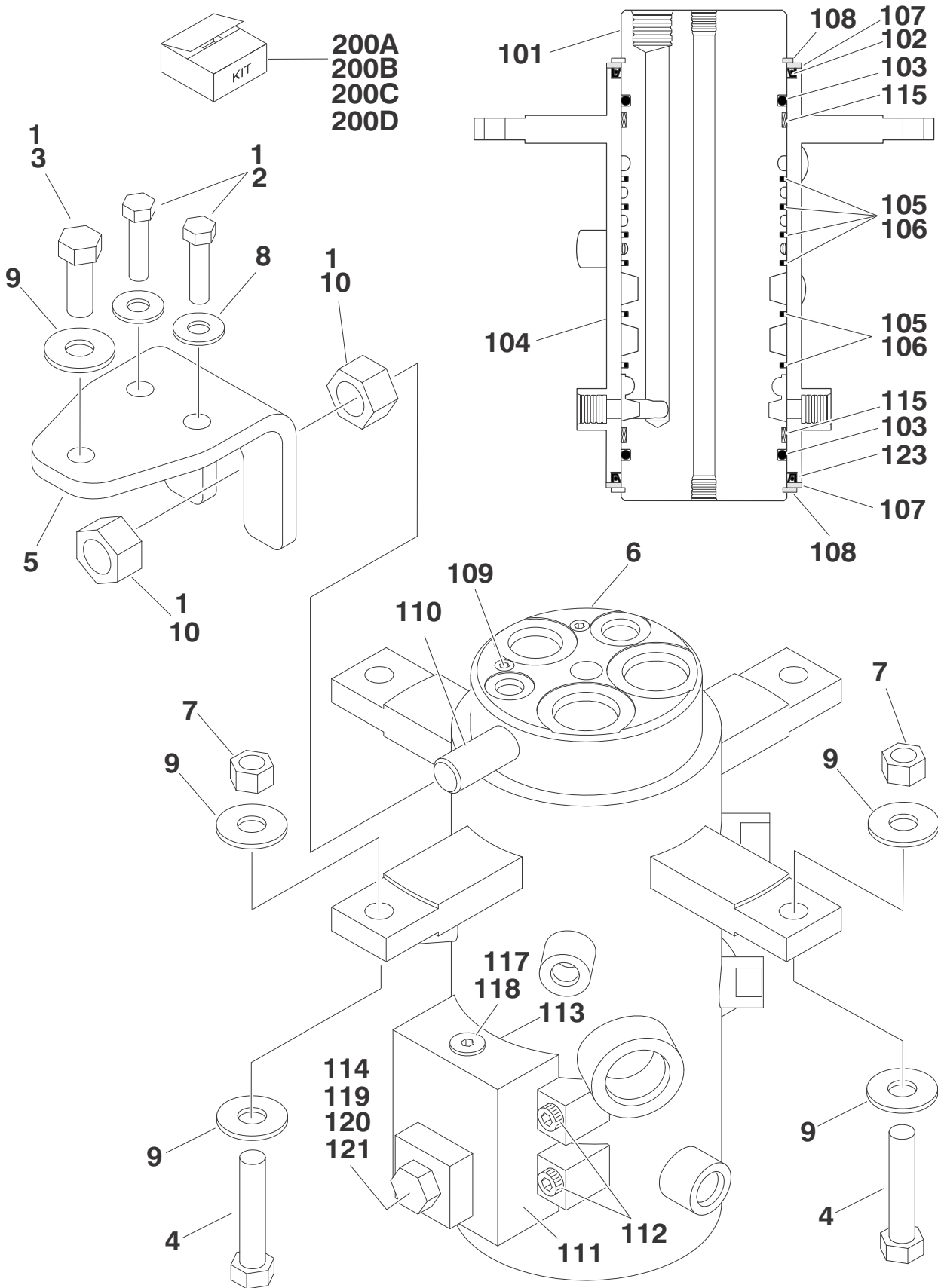
SECTION 2 TURNTABLE

FIGURE 2-17. ROTARY COUPLING INSTALLATION (SN 0300068000 TO SN 0300075606)

ITEM #	PART NUMBER	QTY.	DESCRIPTION	REV.
		Ref	ROTARY COUPLING INSTALLATIONS	
	0255262	Ref	2WS	5
	0255294	Ref	4WS	2
1	0641820	2	Bolt 1/2in-13NC x 2-1/2in	
2	4751800	4	Flatwasher 1/2in Regular	
3	3311805	2	Locknut 1/2in-13NC	
4	0641611	4	Bolt 3/8in-16NC x 1 3/8in	
5	4751600	4	Flatwasher 3/8in Regular	
6	0100011	AR	Compound, Locking	
7	0902520	2	Bracket	
8		1	Coupling, Rotary Options:	
	1660219		2WS	
	1660223		4WS	
		1	Seal Kit Options:	
	7013187		2WS	
	7016342		4WS	
		1	Rebuilt Couplings Options:	
	1660219RR		2WS	
	1660223RR		4WS	

SECTION 2 TURNTABLE

FIGURE 2-18. ROTARY COUPLING INSTALLATION (SN 0300075606 TO SN 0300087000)



SECTION 2 TURNTABLE

FIGURE 2-18. ROTARY COUPLING INSTALLATION (SN 0300075606 TO SN 0300087000)

ITEM #	PART NUMBER	QTY.	DESCRIPTION	REV.
		Ref	ROTARY COUPLING INSTALLATIONS	
	0273052	Ref	2WS	D
	0273161	Ref	4WS	D
1	0100011	AR	Compound, Locking	
2	0641612	2	Bolt 3/8in-16NC x 1-1/2in	
3	0641811	1	Bolt 1/2in-13NC x 1-3/8in	
4	0641820	2	Bolt 1/2in-13NC x 2-1/2in	
5	0903056	1	Bracket	
6		1	Coupling, Rotary Options (See Items 101-121 for Breakdown):	
	Use 1660303		2WS (was p/n 1660257)	
	Use 1660304		4WS (was p/n 1660258)	
7	3271805	2	Locknut 1/2in-13NC	
8	4751600	2	Flatwasher 3/8in Regular	
9	4751800	5	Flatwasher 1/2in Regular	
10	3322201	2	Nut 3/4in-16NC	
		Ref	ROTARY COUPLING ASSEMBLIES	
	1660257	Ref	2WS (Original Equipment)	
	1660303	Ref	2WS (Service Replacement)	
	1660258	Ref	4WS (Original Equipment)	
	1660304	Ref	4WS (Service Replacement)	
			Note: Original Equipment may have been replaced with Service Replacement part. Identify p/n stamped on rotary coupling before ordering parts.	
101	See Note	1	Body (Note: Not Available - Purchase Complete Rotary Coupling Assembly.)	
102		2	Seal, Oil Options:	
	7026189		2WS (p/n 1660257)	
	Use 70001248		2WS (p/n 1660303)	
	Use 7026512		4WS	
103	See Note	2	O-Ring (Note: Use Item 200A or 200B)	
104	See Note	1	Housing (Note: Not Available - Purchase Complete Rotary Coupling Assembly.)	
105		AR	Seal, Cap	
	See Note	6	2WS (Note: Use Item 200A or 200B)	
	See Note	9	4WS (Note: Use Item 200C or 200D)	
106		AR	O-Ring	
	See Note	6	2WS (Note: Use Item 200A or 200B)	
	See Note	9	4WS (Note: Use Item 200C or 200D)	
107		2	Ring Options:	
	7026503		2WS	
	7026511		4WS	
108		AR	Ring, Retaining Options:	
	7026504	2	2WS	
		2	1660257 Coupling	
		1	1660303 Coupling	
	7013189		4WS	
		2	1660258 Coupling	

SECTION 2 TURNTABLE

FIGURE 2-18. ROTARY COUPLING INSTALLATION (SN 0300075606 TO SN 0300087000)

ITEM #	PART NUMBER	QTY.	DESCRIPTION	REV.
108 cont'd		1	1660304 Coupling	
109		AR	Plug, Pipe Options 2WS	
	See Note	2	1660257 Coupling (Note: Not Available - Purchase Locally.)	
	8093461	2	1660303 Coupling 4WS	
	See Note	4	1660258 Coupling (Note: Not Available - Purchase Locally.)	
	8093461	4	1660304 Coupling	
110	See Note	1	Lug, Torque (Note: Not Available for Purchase.)	
111	7024404	1	Block, Valve	
112	7026197	4	Bolt 5/16in-18NC x 1-1/4in	
113	See Note	3	O-Ring (Note: Use Item 200A, 200B, 200C or 200D)	
114	See Note	1	O-Ring (Note: Use Item 200A, 200B, 200C or 200D)	
115	See Note	2	Bearing (Note: Use Item 200A, 200B, 200C or 200D)	
116	Not Used			
117	7026505	1	Plug	
118	7026506	1	Valve, Check	
119	7026507	1	Plug	
120		1	Valve Block, Plunger Options:	
	7026508		1660257 & 1660258 Couplings	
	Use 7024404		1660303 & 1660304 Couplings	
121	7026509	1	Spring, Compression	
122	See Note	AR	Protective Netting (Not Shown) (1660303 & 1660304 Couplings (Note: Not Available for Purchase.))	
123		1	Seal Options:	
	7026189		1660257 Coupling	
	Use 70001248		1660303 Coupling	
	See Note		1660258 & 1660304 Couplings (Note: Use Item 200C or 200D)	
200		1	Seal Kit Options:	
200A	7026510		1660257 Coupling (Includes Items 103, 105, 106 & 113-115. Items 102 & 123 must be purchased separately.)	
200B	70001248		1660303 Coupling (Includes Items 102, 103, 105, 106, 113-115 & 123.)	
200C	7026512		1660258 Coupling (Includes Items 102, 103, 105, 106, 113-115 & 123)	
200D	70001249		1660304 Coupling (Includes Items 102, 103, 105, 106, 113-115 & 123)	

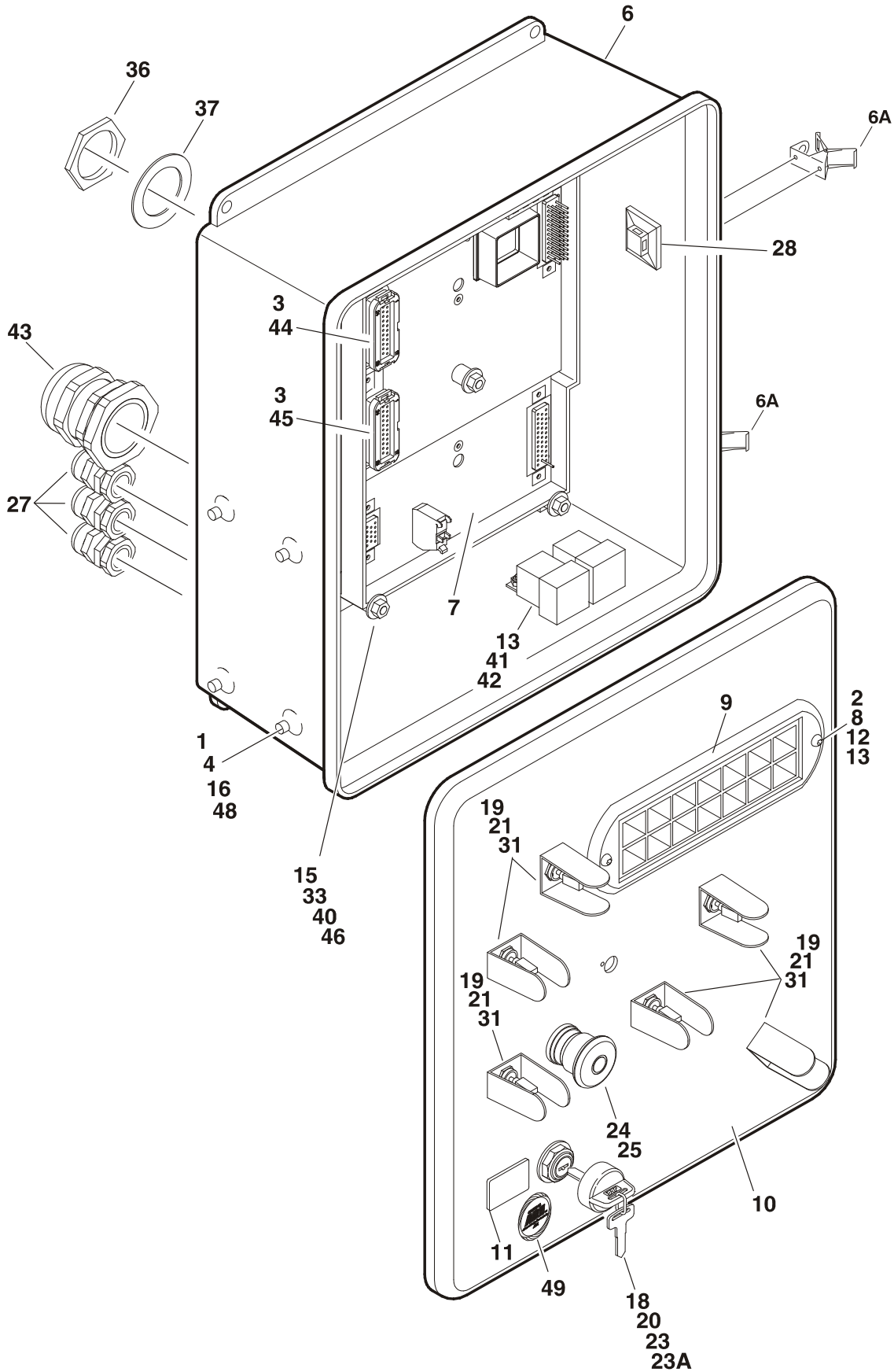
SECTION 2 TURNTABLE

FIGURE 2-18. ROTARY COUPLING INSTALLATION (SN 0300075606 TO SN 0300087000)

ITEM #	PART NUMBER	QTY.	DESCRIPTION	REV.

SECTION 2 TURNTABLE

FIGURE 2-19. GROUND CONTROL BOX ASSEMBLY



SECTION 2 TURNTABLE

FIGURE 2-19. GROUND CONTROL BOX ASSEMBLY

ITEM #	PART NUMBER	QTY.	DESCRIPTION	REV.
		Ref	GROUND CONTROL BOX ASSEMBLIES	
	0861619	Ref	600S with Caterpillar Engine (SN 0300068000 to SN 0300084827)	C
	0861696	Ref	600S with Caterpillar Engine (SN 0300084827 to SN 0300087000)	A
	0861620	Ref	600SJ & 660SJ with Caterpillar Engine (SN 0300068000 to SN 0300084827)	C
	0861697	Ref	600SJ & 660SJ with Caterpillar Engine (SN 0300084827 to SN 0300087000)	A
	0861480	Ref	600S with Deutz Engine (SN 0300068000 to SN 0300084827)	F
	0861685	Ref	600S with Deutz Engine (SN 0300084827 to SN 0300087000)	A
	0861481	Ref	600SJ & 660SJ with Deutz Engine (SN 0300068000 to SN 0300084827)	F
	0861686	Ref	600SJ & 660SJ with Deutz Engine (SN 0300084827 to SN 0300087000)	A
	0861478	Ref	600S with Ford Engine (SN 0300068000 to SN 0300084827)	F
	0861694	Ref	600S with Ford Engine (SN 03000 84827 to SN 0300087000)	A
	0861479	Ref	600SJ & 660SJ with Ford Engine (SN 0300068000 to SN 0300084827)	E
	0861685	Ref	600SJ & 660SJ with Ford Engine (SN 0300084827 to SN 0300087000)	A
1	0100011	AR	Compound, Locking	
2	0630518	2	Capscrew, Button Head	
3	0100048	AR	Grease, Dielectric	
4	0641506	4	Bolt 5/16in-18NC x 3/4in	
5	Not Used			
6	0861389	1	Box, Fiberglass	
6A	7020246	2	Latch	
7		1	Module (Re-calibration Required when Replaced) Options:	
	Use 2915014		Caterpillar & Deutz Engine (SN 0300068000 to SN 0300077490) (was p/n 1600327)	
	1600364		Caterpillar & Ford Engine (SN 0300077490 to SN 0300087000)	
	1600364		Deutz Engine (SN 0300077490 to SN 0300084827)	
	2915014	1	Update Kit (Includes Module, Cables, Programming Instructions & CD Software) (Use with 1600327 & 1600364)	
	1600411		Deutz Engine (SN 0300084827 to SN 0300087000)	
8	1670829	1	Bezel	
9		1	Decal - Ground Control Display Options:	
	1702610		SN 0300068000 to SN 0300084827	
	1705753		SN 0300084827 to SN 0300087000	
10		1	Decal - Faceplate Options:	
	1703465		600S	
	1703466		600SJ/660SJ	
11	2420172	1	Gauge, Hourmeter	
12	2760105	1	Housing, Display Light	
13	3300408	AR	Locknut, Plastic Insert	
14	Not Used			
15	3311401	10	Nut 1/4in-20NC	
16	3539219	1	Plate, Reinforcement	

SECTION 2 TURNTABLE

FIGURE 2-19. GROUND CONTROL BOX ASSEMBLY (CONTINUED)

ITEM #	PART NUMBER	QTY.	DESCRIPTION	REV.
17	Not Used			
18	3910804	6	Screw #8-32NC x 1/4in	
19	4060906	6	Shield, Toggle Switch	
20	4070987	1	Shim (.015in)	
21	4360328	6	Switch, Toggle	
22	Not Used			
23	4360469	1	Switch, Key	
23A	2860030	1	Key Replacement	
24	4360475	1	Switch, Emergency Stop	
25	4360476	1	Switch, Contact Block	
26	4460234	2	Tie, Wire (Not Shown)	
27	4460426	AR	Connector, Strain Relief	
28	4460488	AR	Mounting Base, Terminal	
29 to 30	Not Used			
31	4740444	6	Washer, Special	
32	Not Used			
33	4751400	20	Flatwasher 1/4in Regular	
34 to 35	Not Used			
36	4460470	1	Nut, Terminal	
37	4460471	1	Lockwasher, Terminal	
38 to 39	Not Used			
40	0630548	5	Bolt	
41	3740049	AR	Relay	
42	3900268	AR	Screw, Flange #10 x 1/2in	
43	4460526	1	Connector, Strain Relief	
44	4460874	1	Connector, Natural	
	4460905	4	Connector, Amp Seal Plug	
45	4460875	1	Connector, Gray	
46	4761400	AR	Lockwasher 1/4in	
47		1	Harness, Analyzer Cable Options (Not Shown - See ELECTRICAL SECTION for Breakdown):	
	4922666		SN 0300068000 to SN 0300084827	
	Not Required		SN 0300084827 to SN 0300087000	
48	3300205	4	Nut, Retainer	
49	1705132	1	Decal - ADE	
50	3520035	1	Plug, Cap (Not Shown)	

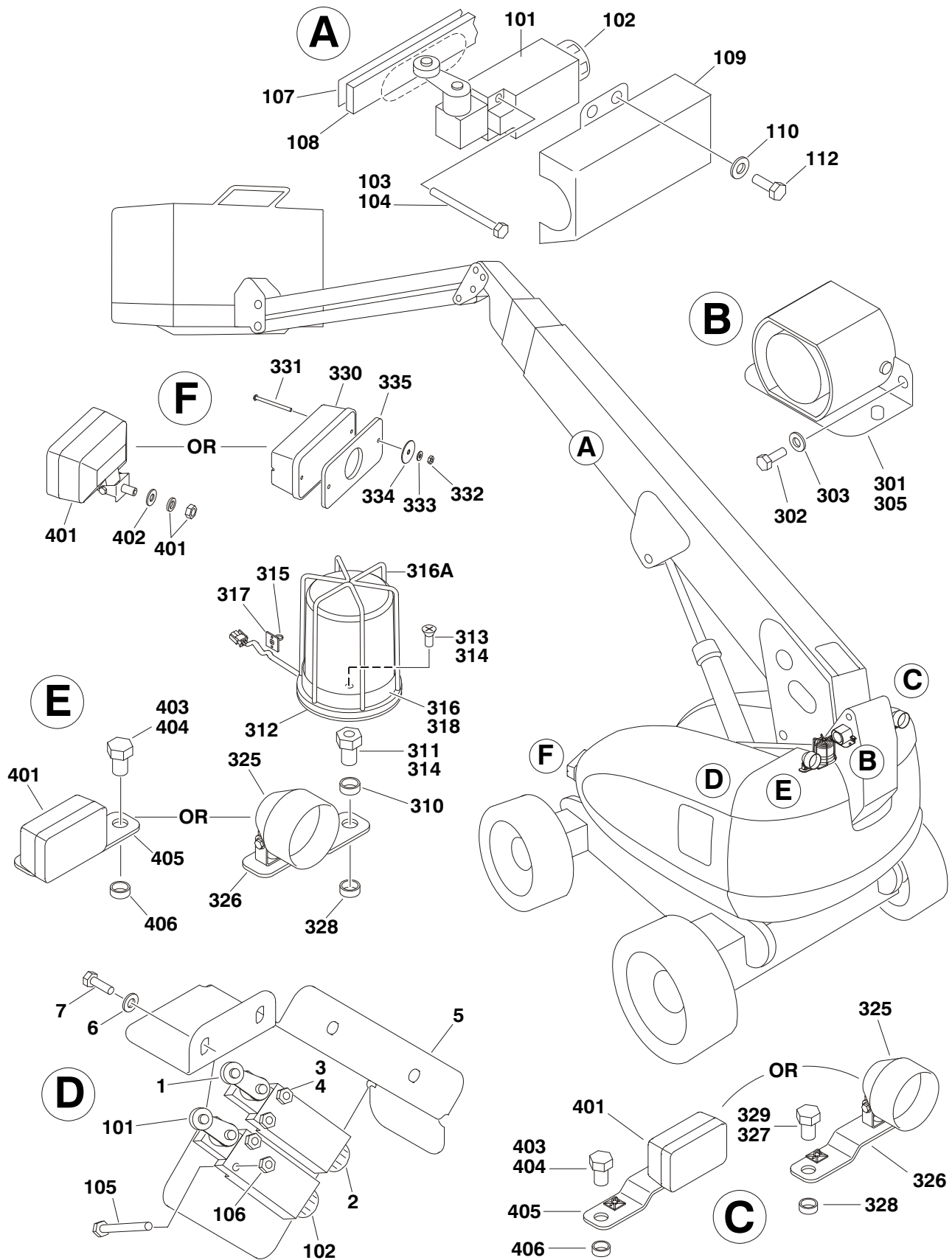
SECTION 2 TURNTABLE

FIGURE 2-19. GROUND CONTROL BOX ASSEMBLY (CONTINUED)

ITEM #	PART NUMBER	QTY.	DESCRIPTION	REV.

SECTION 2 TURNTABLE

FIGURE 2-20. ELECTRICAL OPTIONS INSTALLATION (TURNTABLE MOUNTED)



SECTION 2 TURNTABLE

FIGURE 2-20. ELECTRICAL OPTIONS INSTALLATION (TURNTABLE MOUNTED)

ITEM #	PART NUMBER	QTY.	DESCRIPTION	REV.
		Ref	ELECTRICAL OPTIONS INSTALLATIONS (TURNTABLE MOUNTED)	
	0255335	Ref	LIMIT SWITCH INSTALLATION - ABOVE HORIZONTAL	6/F
1		1	Switch, Limit Options:	
	Use 4360578	1	Switch, Limit (SN 0300068000 to SN 0300074441 was p/n 4360322)	
	Use 4360578	1	Switch, Limit (SN 0300074441 to SN 0300080873 was p/n 4360549)	
	4360578	1	Switch, Limit (SN 0300080873 to SN 0300087000)	
2		1	Connector, Strain Relief Options:	
	4460428	1	Connector, Strain Relief (SN 0300068000 to SN 0300068965)	
	4460968	1	Connector, Strain Relief (SN 0300074441 to SN 0300087000)	
3	3931028	2	Capscrew, Socket Head #10-24NC x 1 3/4in	
4	3311005	2	Locknut #10-24NC	
5	1670818	1	Cover, Limit Switch (SN 0300027349 to SN 0300087000)	
6	4751400	4	Flatwasher 1/4in Regular (SN 0300027349 to SN 0300087000)	
7	3931408	4	Bolt 1/4in-20NC x 1in (SN 0300027349 to SN 0300087000)	
	0255698	Ref	LIMIT SWITCHES INSTALLATION - DUAL CAPACITY	5/D
101		1	Switch, Limit Options:	
	Use 4360578	1	Switch, Limit (SN 0300068000 to SN 0300074441 was p/n 4360322)	
	Use 4360578	1	Switch, Limit (SN 0300074441 to SN 0300080873 was p/n 4360549)	
	4360578	1	Switch, Limit (SN 0300080873 to SN 0300087000)	
102		2	Connector, Strain Relief Options:	
	4460428	1	Connector, Strain Relief (SN 0300068000 to SN 0300074441)	
	4460968	1	Connector, Strain Relief (SN 0300074441 to SN 0300087000)	
103	0100035	AR	Compound, Locking	
104	3930816	2	Capscrew, Socket Head #8-32NC x 1in	
105	3930828	2	Capscrew, Socket Head #8-32NC x 1-3/4in	
106	3310805	2	Locknut #8-32NC	
107	4420054	9ft/2.7m	Tape, Double Sided	
108	0362528	1	Bar, Fiberglass	
109	1670824	1	Cover, Limit Switch	
110	4751400	4	Flatwasher 1/4in Regular	
111	Not Used			
112	0641403	4	Bolt 1/4in-20NC x 3/8in	
113 to 299	Not Used			

SECTION 2 TURNTABLE

**FIGURE 2-20. ELECTRICAL OPTIONS INSTALLATION (TURNTABLE MOUNTED)
(CONTINUED)**

ITEM #	PART NUMBER	QTY.	DESCRIPTION	REV.
	0270833	Ref	ALARMS INSTALLATIONS	1
301	0257887	1	Alarm/Harness Assembly	
	0140032	1	Alarm	
	2820035	6in/15cm	Loom	
	4460424	1	Plug	
	4460268	2	Socket	
302	0641406	2	Bolt 1/4in-20NC x 3/4in	
303	4711400	2	Flatwasher 1/4in Thin	
304	Not Used			
305	0100048	AR	Sealant, Silicone	
306 to 309	Not Used			
	0270805	Ref	STROBE LIGHT INSTALLATION (AMBER) (OPTIONAL)	2
		Ref	Note: If machines is equipped with BLUE Strobe Light, see SPECIAL OPTIONS SECTION SkyGuard Kit.	
310	4220162	1	Spacer, Stop (SN 0300068000 to SN 0300069327 - Used with ECCO Model 6640 Only)	
311		1	Adapter Options:	
	0630491		Adapter used with ECCO Model 6640	
	0080241		Adapter used with ECCO Model 6650	
312	3539281	1	Plate, Mounting (SN 0300068000 to SN 0300069327 - Used with ECCO Model 6640 Only)	
313	0741606	1	Screw, Flathead Countersunk 3/8in-16NC x 3/4in (SN 0300068000 to SN 0300069327 - Used with ECCO Model 6640 Only)	
314	0100011	AR	Compound, Locking	
315	4240032	1	Wire-Tile	
316		1	Strobe Light/Guard/Harness Assembly Options:	
	Use 0272507		SN 0300068000 to SN 0300069327 (was p/n 0255917)	
	0272507		SN 0300069327 to SN 0300087000 (Includes Item 311 & 316A)	
		1	Bulb, Replacement Options:	
	7016380		Bulb for ECCO Model 6640	
	70001941		Bulb for ECCO Model 6650	
316A		1	Guard Options:	
	4060907		Guard used with ECCO Model 6640	
	2920215		Guard used with ECCO Model 6650	
317	4460234	1	Clamp	
318	0100048	AR	Sealant, Silicone	
319 to 324	Not Used			
	0271552	Ref	LIGHTS INSTALLATIONS (OPTIONAL)	2
325	2920110	2	Headlight	
326	0902206	2	Bracket, Mounting	
327	0642612	1	Bolt 1in-8NC x 1-1/2in	
328	4220162	2	Spacer	

SECTION 2 TURNTABLE

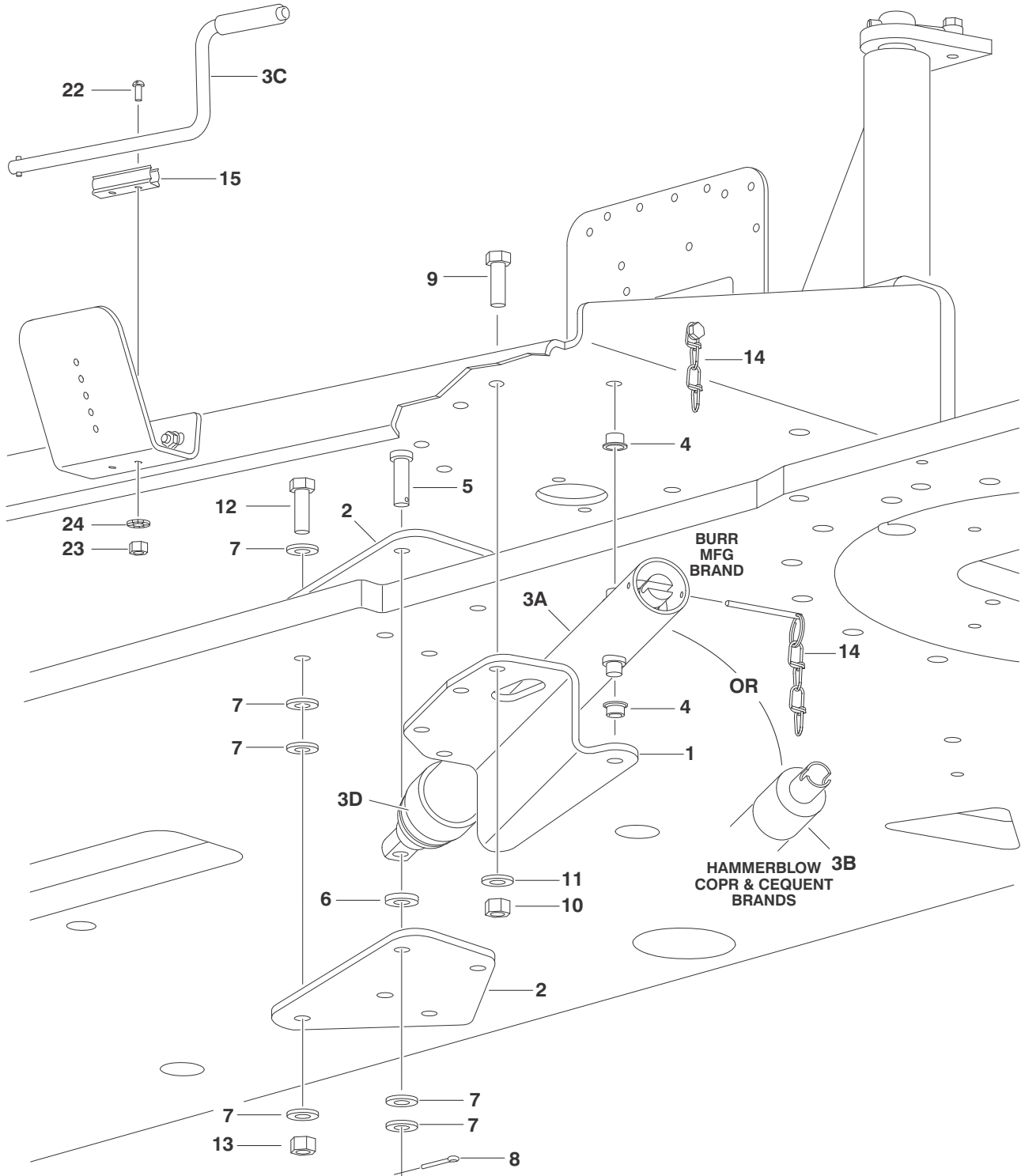
**FIGURE 2-20. ELECTRICAL OPTIONS INSTALLATION (TURNTABLE MOUNTED)
(CONTINUED)**

ITEM #	PART NUMBER	QTY.	DESCRIPTION	REV.
329	0100011	AR	Compound, Locking	
330	2920113	2	Taillight	
331	3911040	4	Screw, Machine #10-24NC x 2-1/2in	
332	3311005	4	Nut #10-24NC	
333	4751000	4	Flatwasher #10 Regular	
334	4740362	4	Washer, Fender	
335	3960461	2	Gasket	
336	Not Used			
337	4240032	21	Tie-Strap (Not Shown)	
338	4460234	21	Mount, Tie-Strap (Not Shown)	
339	4360336	1	Switch, Toggle (Not Shown - Located on Console)	
340	3790012	1	O-Ring (Not Shown - Located on Console)	
341	3820001	11	Rivet, Pop (Not Shown)	
	0274210	Ref	CHASSIS ILLUMINATION LIGHT INSTALLATION	1/A
401	2920157	4	Lamp, Worklight	
402	4740546	4	Washer, Rubber	
403	0100011	AR	Compound, Locking	
404	0642612	2	Bolt 1in-8NC x 1-1/2in	
405	0902206	2	Bracket, Light Mounting	
406	4220162	2	Spacer	
407	Not Used			
408	3790012	1	O-Ring (Not Shown - Located at Platform Console Box)	
409	4360336	1	Switch, Toggle (Not Shown - Located at Platform Console Box)	
410	4240032	21	Strap, Tie (Not Shown)	
411	4460234	21	Mount, Cable (Not Shown)	
412	3820001	11	Rivet, Pop (Not Shown)	

SECTION 2 TURNTABLE

FIGURE 2-21. ENGINE TRAY JACK INSTALLATION (OPTIONAL)

NOTE: HANDLE LOCATED
HERE SN 0300068771 TO SN 0300087000.
HANDLE LOCATED ON HOOD
SN 0300068000 TO SN 0300068771.



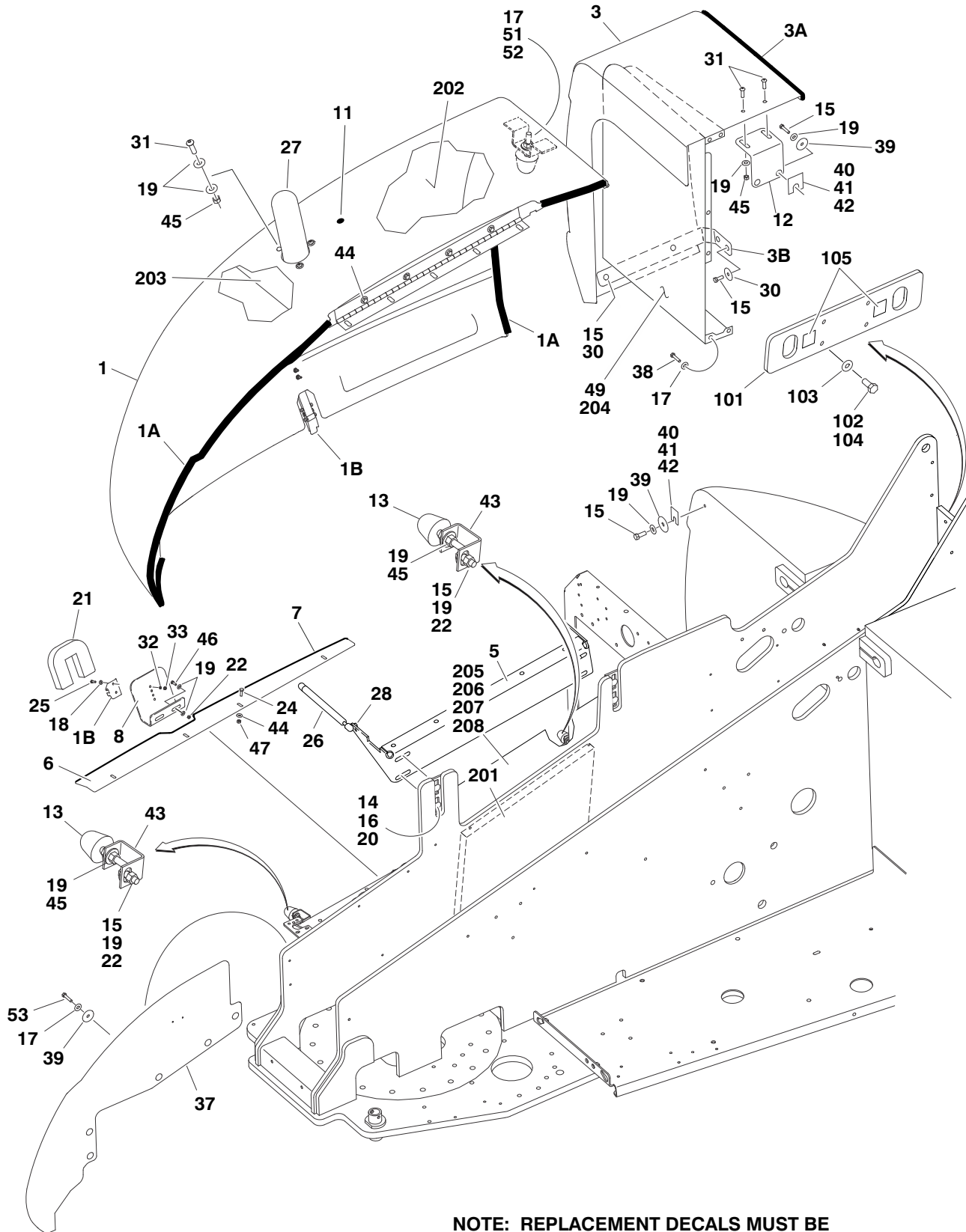
SECTION 2 TURNTABLE

FIGURE 2-21. ENGINE TRAY JACK INSTALLATION (OPTIONAL)

ITEM #	PART NUMBER	QTY.	DESCRIPTION	REV.
	0255881	Ref	ENGINE TRAY JACK INSTALLATION	3/G
1	3537445	1	Bracket	
2	3537446	2	Bracket	
3	2840016	1	Hydraulic Jack Assembly Options:	D
3A			Burr Manufacturing Brand	
3B			Hammerblow Corp & Cequent Brand	
3C		1	Handle Options:	
	7016374		Burr Manufacturing Brand	
	7024598		Hammerblow Corp Brand	
3D	7016322	1	Wiper (Burr Manufacturing Brand Only)	
4	0962051	2	Bushing, Flanged	
5	3430816	1	Pin, Clevis	
6	4891800	1	Flatwasher 1/2in Hardened	
7	4711800	6	Flatwasher 1/2in Thin	
8	3450404	1	Pin, Cotter 1/8in x 1in	
9	0641609	4	Bolt 3/8in-16NC x 1-1/8in	
10	3311605	4	Locknut 3/8in-16NC	
11	4891600	4	Flatwasher 3/8in Hardened	
12	0641818	4	Bolt 1/2in-13NC x 2-1/4in	
13	3311805	4	Locknut 1/2in-13NC	
14	3422530	1	Pin & Chain (SN 0300068000 to SN 0300070643)	
15	1380147	1	Clip, Spring	
16 to 21	Not Used			
22	3910608	2	Screw #6-32NC x 1in	
23	3310601	2	Nut #6-32NC	
24	4770600	2	Starwasher #6	

SECTION 2 TURNTABLE

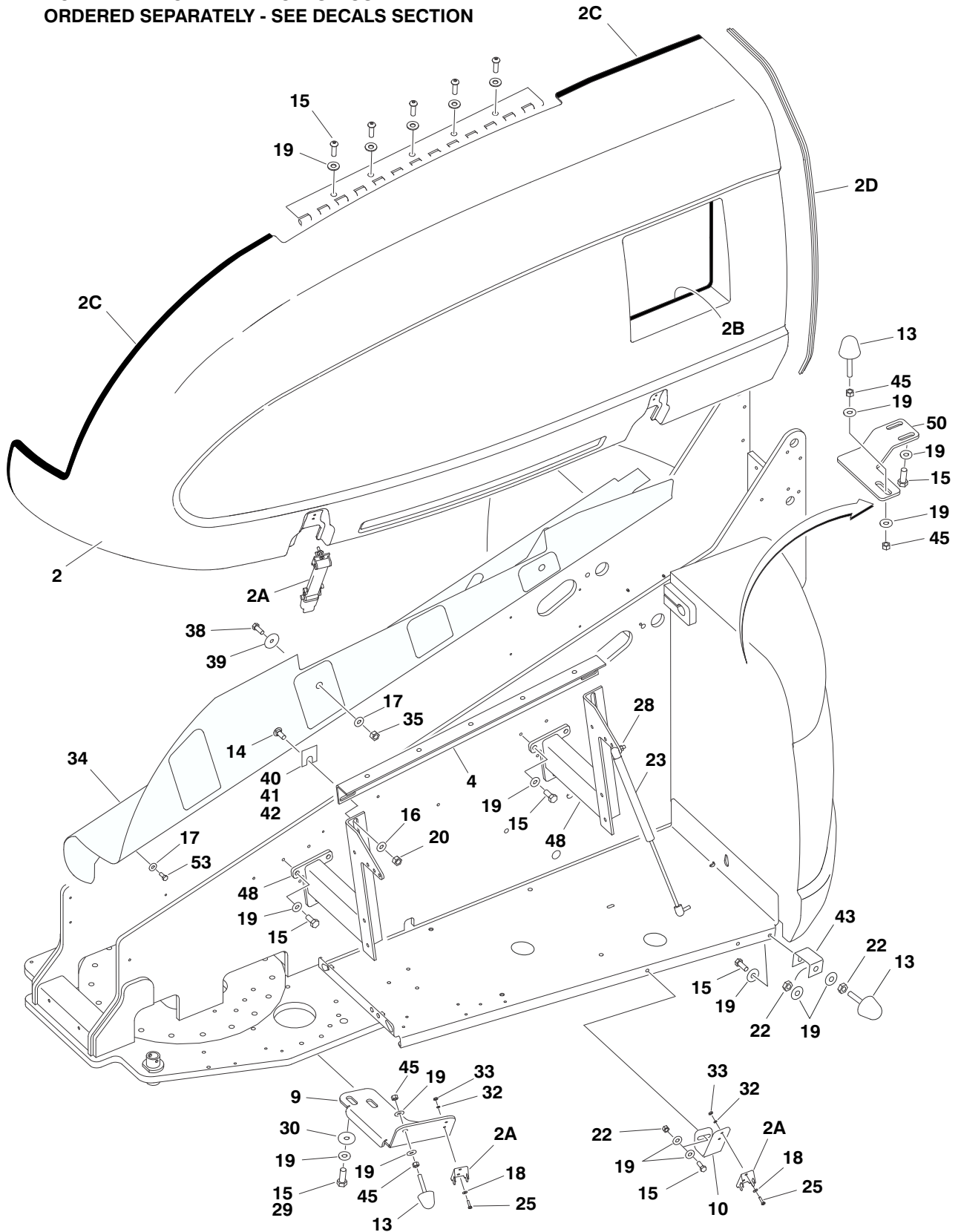
FIGURE 2-22. HOODS & LIFTING PLATE INSTALLATIONS



NOTE: REPLACEMENT DECALS MUST BE ORDERED SEPARATELY - SEE DECALS SECTION

SECTION 2 TURNTABLE

NOTE: REPLACEMENT DECALS MUST BE ORDERED SEPARATELY - SEE DECALS SECTION



SECTION 2 TURNTABLE

FIGURE 2-22. HOODS & LIFTING PLATE INSTALLATIONS

ITEM #	PART NUMBER	QTY.	DESCRIPTION	REV.
		Ref	NOTE: Steel Hood Replacement Kits are available for machines built with Deutz engines (Purchase p/n 1001126286) and Caterpillar/GM engines (Purchase p/n 1001126287). No kits are available for machines built with Ford Engines.	
		Ref	HOODS INSTALLATIONS	
	0256830	Ref	Standard	10/1
	0258578	Ref	U/L (SN 0300068000 to SN 0300079619)	4
1		1	Hood Assembly - Engine Side Options:	
	2680449		Standard	
	2680443		U/L	
	2600209		Hinge	
1A	3960464	65in/1.67m	Seal	
	3960462	61in/1.55m	Seal	
1B	2940088	1	Latch	
2		1	Hood Assembly - Tank Side Options:	
	2680448		Standard	
	2680437		U/L	
	2600233		Hinge	
2A	2940088	2	Latch	
2B	3960438	53in/1.35m	Seal	
2C	3960464	83in/2.11m	Seal	
2D	3960462	55in/1.4m	Seal	
3		1	Hood Assembly- Engine Spacer Options:	
	2680450		Standard	
	2680435		U/L	
3A	3960453	68in/1.73m	Seal	
3B	7023366	1	Bracket	
4	0902416	1	Bracket, Hood Mounting	
5	0902351	1	Bracket, Hood Mounting	
6	3539934	1	Plate, Seal	
7	3960389	3.5ft/1m	Seal	
8	0902491	1	Bracket, Latch	
9	0902223	1	Bracket, Latch	
10	0902143	1	Bracket, Latch	
11	3520033	2	Plug, Hole	
12	0902161	1	Bracket, Hood Spacer Mounting	
13	0940071	5	Bumper	
14	0630507	6	Bolt, Carriage 1/2in-13NC x 1-1/4in	
15	0641608	AR	Bolt 3/8in-16NC x 1in	
16	4740171	6	Flatwasher, Hardened	
17	4751500	9	Flatwasher 5/16in Regular	
18	4751000	12	Flatwasher #10 Regular	
19	4751600	AR	Flatwasher 3/8in Regular	
20	3311805	6	Locknut 1/2in-13NC	
21	3960470	1	Seal	
22	3311605	5	Locknut 3/8in-16NC	

SECTION 2 TURNTABLE

FIGURE 2-22. HOODS & LIFTING PLATE INSTALLATIONS (CONTINUED)

ITEM #	PART NUMBER	QTY.	DESCRIPTION	REV.
23	4160139	2	Spring, Gas (Tank Side)	
24	0641406	4	Bolt 1/4in-20NC x 3/4in	
25	0721006	6	Screw #10-24NC x 3/4in	
26	4160143	2	Spring, Gas (Engine Side)	
27		1	Outlet, Exhaust Options:	
	4845411		Standard	
	Not Required		U/L	
28	3311505	4	Locknut 5/16in-18NC	
29	0100011	AR	Compound, Locking	
30	4740076	4	Washer, Fender	
31	3900232	5	Screw, Button Head 3/8in-16NC x 1-1/4in	
32	4761000	6	Lockwasher #10	
33	3311001	6	Nut #10-24NC	
34	1670771	1	Cover	
35	3311501	AR	Nut 5/16in-18NC	
36	0641512	2	Bolt 5/16in-18NC x 1-1/2in	
37	1670779	1	Cover, Side	
38	0641506	AR	Bolt 5/16in-18NC x 3/4in	
39	4740076	AR	Washer, Fender	
40	4070410	AR	Shim 1/16in	
41	4070411	AR	Shim 1/8in	
42	4070412	AR	Shim 3/16in	
43	0902219	2	Bracket, Bumper	
44	4751400	4	Flatwasher 1/4in Regular	
45	3311601	AR	Nut 3/8in-16NC	
46	0641609	2	Bolt 3/8in-16NC x 1-1/8in	
47	3311405	4	Locknut 1/4in-20NC	
48	4845356	2	Hood Mount Weldment	
49	3539979	1	Plate, Inlet Baffle (SN 0300068000 to SN 0300076512)	
50	0902384	1	Bracket, Hood Mount	
51	0940088	1	Hood, Bumper	
52	3321501	2	Nut 5/16in-24NF	
53	0641506	10	Bolt 5/16in-18NC x 3/4in (SN 0300074784 to SN 0300087000)	
	0256122	Ref	LIFTING PLATE INSTALLATION	1/B
101	3539590	1	Plate, Lifting	
102	0682014	4	Bolt 5/8in-11NC x 1-3/4in Grade 8	
103	4892000	4	Flatwasher 5/8in Hardened	
104	0100019	AR	Compound, Locking	
105	1701500	2	Decal - Tie Down/Lift	
	0256823	Ref	NOISE REDUCTION INSTALLATION (DIESEL MACHINES)	2
201	2820078	1	Foam, Acoustical	
202	2820079	1	Foam, Acoustical	
203	2820119	1	Foam, Acoustical	
204	2820081	1	Foam, Acoustical (SN 0300068000 to SN 0300076512)	

SECTION 2 TURNTABLE

FIGURE 2-22. HOODS & LIFTING PLATE INSTALLATIONS (CONTINUED)

ITEM #	PART NUMBER	QTY.	DESCRIPTION	REV.
205	3539955	1	Plate, Baffle	
206	0641506	2	Bolt 5/16in-18NC x 3/4in	
207	4751500	2	Flatwasher 5/16in Regular	
208	0100011	AR	Compound, Locking (Not Shown)	

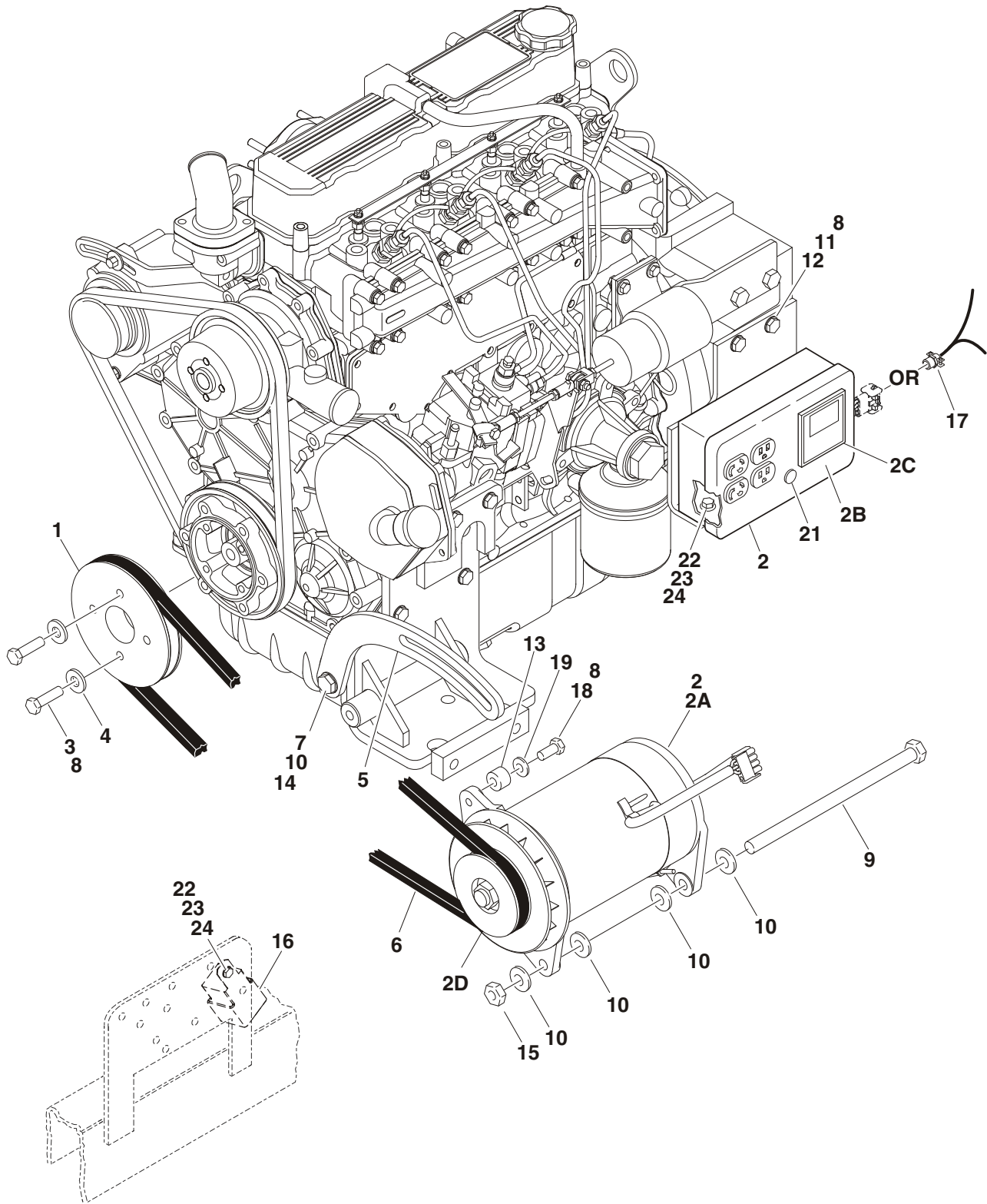
SECTION 2 TURNTABLE

FIGURE 2-22. HOODS & LIFTING PLATE INSTALLATIONS (CONTINUED)

ITEM #	PART NUMBER	QTY.	DESCRIPTION	REV.

SECTION 2 TURNTABLE

FIGURE 2-23. 2500W GENERATOR INSTALLATION - CATERPILLAR MACHINES (OPTIONAL)



SECTION 2 TURNTABLE

FIGURE 2-23. 2500W GENERATOR INSTALLATION - CATERPILLAR MACHINES (OPTIONAL)

ITEM #	PART NUMBER	QTY.	DESCRIPTION	REV.
		Ref	GENERATOR INSTALLATION OPTIONS:	
		Ref	SN 0300068000 to SN 0300077490	
	0273518	Ref	110V/60Hz	3/C
	0273538	Ref	110V/50Hz	3/C
	0273539	Ref	220V/50Hz	3/C
		Ref	SN 0300077490 to SN 0300087000	
	0274081	Ref	110V/60Hz	1/A
	0274090	Ref	110V/50Hz	1/A
	0274087	Ref	220V/50Hz	1/A
1	3580322	1	Pulley	
2		1	Generator and Control Box Assembly Options:	
	2460032		110V/60Hz (SN 0300068000 to SN 0300077490)	
	2460055		110V/60Hz (SN 0300077490 to SN 0300087000)	
	2460039		110V/50Hz (SN 0300068000 to SN 0300077490)	
	2460057		110V/50Hz (SN 0300077490 to SN 0300087000)	
	2460013		220V/50Hz (SN 0300068000 to SN 0300077490) (was p/n 2460013)	
	2460056		220V/50Hz (SN 0300077490 to SN 0300087000)	
2A		1	Replacement Generator Options:	
	7012558		110V/60Hz Replacement Generator	
	2460049		110V/50Hz Replacement Generator	
	1001100321		220V Replacement Generator	
		Ref	Note: Replacement Generators come standard with p/n 3580134 pulley. This pulley may not be correct for all applications. Refer to pulley options below.	
	7020193	1	Cable, Generator (Generator to Control Box)	
		1	Armature Options:	
	7026199		Armature 110V/60Hz Generator	
	70000122		Armature 110V/50Hz Generator	
	70000123		Armature 220V Generator	
	7020108	4	Brush	
	7020109	4	Holder, Brush	
	7012513	4	Cap, Brush Holder	
	7012514	1	Fan	
	7020110	1	Bell, Front	
	7020111	1	Bell Rear	
	7020190	2	Bearing	
2B		1	Control Box Options:	
	7003657		110V/60Hz Control Box (SN 0300068000 to SN 0300077490)	
	7019680		110V/60Hz Control Box (SN 0300077490 to SN 0300087000)	
	70002239		110V/50Hz Control Box (SN 0300068000 to SN 0300077490)	
	7019680		110V/50Hz Control Box (SN 0300077490 to SN 0300087000)	
	70002235		220V Control Box (SN 0300068000 to SN 0300077490)	

SECTION 2 TURNTABLE

**FIGURE 2-23. 2500W GENERATOR INSTALLATION - CATERPILLAR MACHINES (OPTIONAL)
(CONTINUED)**

ITEM #	PART NUMBER	QTY.	DESCRIPTION	REV.
2B (cont'd)	70000127	1	220V Control Box (SN 0300077490 to SN 0300087000)	
	4360542		Breaker, Circuit Options:	
	70002240		Breaker 110V/60Hz	
	4360542		Breaker 110V/50Hz (SN 0300068000 to SN 0300077490)	
	70000126		Breaker 110V/50Hz (SN 0300077490 to SN 0300087000)	
		AR	Breaker 220V	
	4460190		Receptacle Options:	
	4460027		Receptacle, Standard 110V	
	70000124		Receptacle, Twistlock 110V	
	70000125		Receptacle, Double 220V	
	2920162	1	Receptacle, Single 220V	
	7020191	1	Lamp	
	3520028	1	Switch, Toggle	
2C		1	Plug, Hole	
	2420203		Voltmeter Options:	
	7020192		Voltmeter 110V (was p/n 7010699)	
2D		1	Voltmeter 220V	
	3580276		Pulley Options:	
	3580134		Pulley for 110V/60Hz	
	3580134		Pulley for 110V/50Hz	
	7027887	1	Pulley for 220V	
3	0700816	4	Key, Woodruff	
4	4751900	4	Bolt 8mm x 40mm	
5		1	Flatwasher 9/16in Regular	
	0200742		Arm, Adjusting Options:	
	0200819		SN 0300068000 to SN 0300074861	
6		1	SN 0300074861 to SN 0300087000	
	0480121		V-Belt Options:	
	0480120		110V/60Hz	
	0480120		110V/50Hz	
7	0641610	1	220V/50Hz	
8	0100011	AR	Bolt 3/8in-16NC x 1-1/4in	
9	0641772	1	Compound, Locking	
10	4751600	6	Bolt 7/16in-14NC x 9in	
11	3574684	1	Flatwasher 3/8in Regular	
12	0701210	2	Plate, Box Mounting	
13		1	Bolt M12 x 20mm	
	0962653		Bushing, Spacer Options:	
	0962563		SN 0300068000 to SN 0300074861	
14	3311605	1	SN 0300074861 to SN 0300087000	
15	3311705	1	Locknut 3/8in-16NC	
16	3740080	1	Locknut 7/16in-14NC	
17	4460023	1	Relay	
18	0641508	1	Connector, Strain Relief (SN 0300068000 to SN 0300077490)	
			Bolt 5/16in-18NC x 1in	

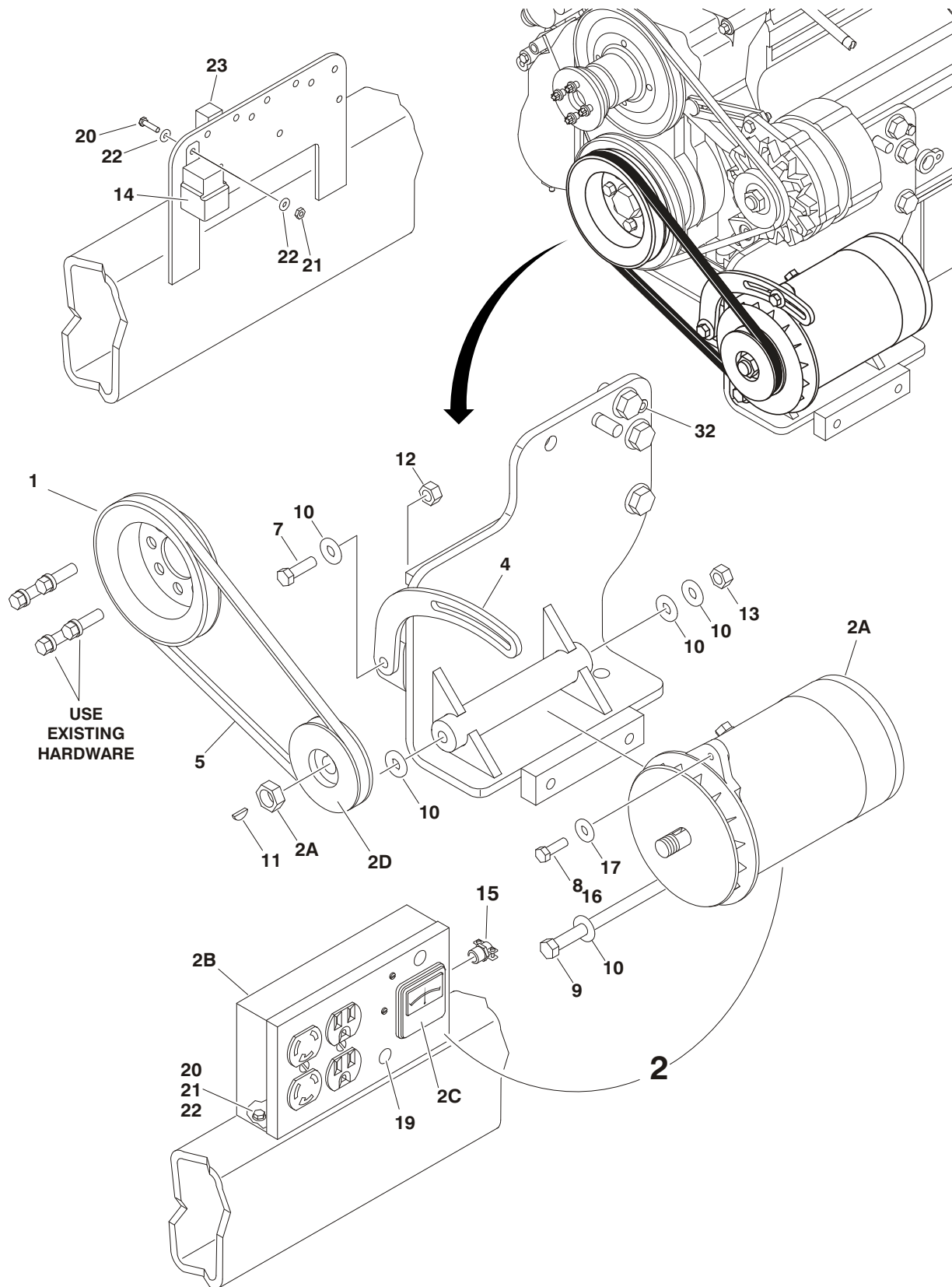
SECTION 2 TURNTABLE

**FIGURE 2-23. 2500W GENERATOR INSTALLATION - CATERPILLAR MACHINES (OPTIONAL)
(CONTINUED)**

ITEM #	PART NUMBER	QTY.	DESCRIPTION	REV.
19	4751500	1	Flatwasher 5/16in Regular	
20	Not Used			
21	3520028	1	Plug, Hole (SN 0300068000 to SN 0300077490)	
22	0721006	3	Bolt #10-24NC x 3/4in	
23	3311005	3	Locknut #10-24NC	
24	4751000	6	Flatwasher #10 Regular	
25	4360336	1	Switch, Toggle (Not Shown - Located at Platform)	
26	4740397	1	Bushing (Not Shown - Located at Platform) (SN 0300068000 to SN 0300074861)	
27	4060802	1	Guard, Switch (Not Shown - Located at Platform)	
28	See Note	1	Decal - Voltage Options (Not Shown - Located at Platform):	
	1705325		110V/60Hz (Note: Not Available for Purchase.)	
	3252507		110V/50Hz	
	2820031	4in/10cm	220V/50Hz	
29	2820031	4in/10cm	Heatshrink (Not Shown - Located at Platform)	
30	3251102	1	Decal (Not Shown - Located at Platform)	

SECTION 2 TURNTABLE

FIGURE 2-24. 2500W GENERATOR INSTALLATION - DEUTZ MACHINES (OPTIONAL)



SECTION 2 TURNTABLE

FIGURE 2-24. 2500W GENERATOR INSTALLATION - DEUTZ MACHINES (OPTIONAL)

ITEM #	PART NUMBER	QTY.	DESCRIPTION	REV.
		Ref	GENERATOR INSTALLATIONS	
	0272480	Ref	110V Generator (SN 0300068000 to SN 0300077490)	3
	0274082	Ref	110V Generator (SN 0300077490 to SN 0300087000)	1
	0272481	Ref	220V Generator (SN 0300068000 to SN 0300077490)	3
	0274086	Ref	220V Generator (SN 0300077490 to SN 0300087000)	1
1	3580158	1	Pulley	
2		1	Generator and Control Box Assembly Options:	
	2460032		110Volt (SN 0300068000 to SN 0300077490)	
	2460055		110Volt (SN 0300077490 to SN 0300087000)	
	2460013		220Volt (SN 0300068000 to SN 0300077490)	
	2460056		220Volt (SN 0300077490 to SN 0300087000)	
2A		1	Replacement Generator Options:	
	7012558		110V Replacement Generator	
	1001100321		220V Replacement Generator	
		Ref	Note: Replacement Generators come standard with p/n 3580134 pulley. This pulley may not be correct for all applications. Refer to pulley options below.	
	7020193	1	Cable, Generator (Generator to Control Box)	
		1	Armature Options:	
	7026199		Armature 110V Generator	
	70000123		Armature 220V Generator	
	7020108	4	Brush	
	7020109	4	Holder, Brush	
	7012513	4	Cap, Brush Holder	
	7012514	1	Fan	
	7020110	1	Bell, Front	
	7020111	1	Bell Rear	
	7020190	2	Bearing	
2B		1	Control Box Options:	
	7003657		110V/60Hz Control Box (SN 0300068000 to SN 0300077490)	
	7019680		110V/60Hz Control Box (SN 0300077490 to SN 0300087000)	
	70002235		220V Control Box (SN 0300068000 to SN 0300077490)	
	70000127		220V Control Box (SN 0300077490 to SN 0300087000)	
		1	Breaker, Circuit Options:	
	4360542		Breaker 110V/60Hz	
	70000126		Breaker 220V	
		AR	Receptacle Options:	
	4460190		Receptacle, Standard 110V	
	4460027		Receptacle, Twistlock 110V	
	70000124		Receptacle, Double 220V	
	70000125		Receptacle, Single 220V	
	2920162	1	Lamp	
	7020191	1	Switch, Toggle	
	3520028	1	Plug, Hole	
2C		1	Voltmeter Options:	
	2420203		Voltmeter 110V (was p/n 7010699)	
	7020192		Voltmeter 220V	

SECTION 2 TURNTABLE

FIGURE 2-24. 2500W GENERATOR INSTALLATION - DEUTZ MACHINES (OPTIONAL)

ITEM #	PART NUMBER	QTY.	DESCRIPTION	REV.
2D		1	Pulley Options: Pulley for 110V/60Hz Pulley for 220V	
	3580276			
	3580134			
3	Not Used			
4	0200742	1	Arm, Adjusting	
5		1	V-Belt Options: 110Volt Assembly (SN 0300068000 to SN 0300068275) 220Volt Assembly (SN 0300068000 to SN 0300068275) 110Volt/220Volt Assembly (SN 0300068275 to SN 0300087000)	
	0480111			
	0480119			
	0480121			
6	Not Used			
7	0641610	1	Bolt 3/8in-16NC x 1-1/4in	
8	0100011	AR	Compound, Locking	
9	0641772	1	Bolt 7/16in-14NC x 9in	
10	4751600	6	Flatwasher 3/8in Regular	
11	2860012	1	Key, Woodruff	
12	3311605	1	Locknut 3/8in-16NC	
13	3311705	1	Locknut 7/16in-14NC	
14	3740080	1	Relay	
15	4460023	1	Connector, Strain Relief	
16	0641508	1	Bolt 5/16in-18NC x 1in	
17	4751500	AR	Flatwasher 5/16in Regular	
18	Not Used			
19	3520028	1	Plug, Hole (SN 0300068000 to SN 0300077490)	
20	0721006	4	Bolt #10-24NC x 3/4in	
21	3311005	4	Locknut #10-24NC	
22	4751000	9	Flatwasher #10 Regular	
23	4360294	1	Breaker, Circuit - 30 Amp (SN 0300068000 to SN 0300077490)	
24	Not Used			
25	4360336	1	Switch, Toggle (Not Shown - Located at Platform)	
26	4740397	1	Bushing (Not Shown - Located at Platform)	
27	4060802	1	Guard, Switch (Not Shown - Located at Platform)	
28		1	Decal Options (Not Shown - Located on Turntable) 110Volt Decal - 220V - 50/60Hz	
	Not Required			
	3252507			
29	2820031	4in/10cm	Heatshrink (Not Shown - Located at Platform)	
30	3251102	1	Decal (Not Shown - Located at Platform)	

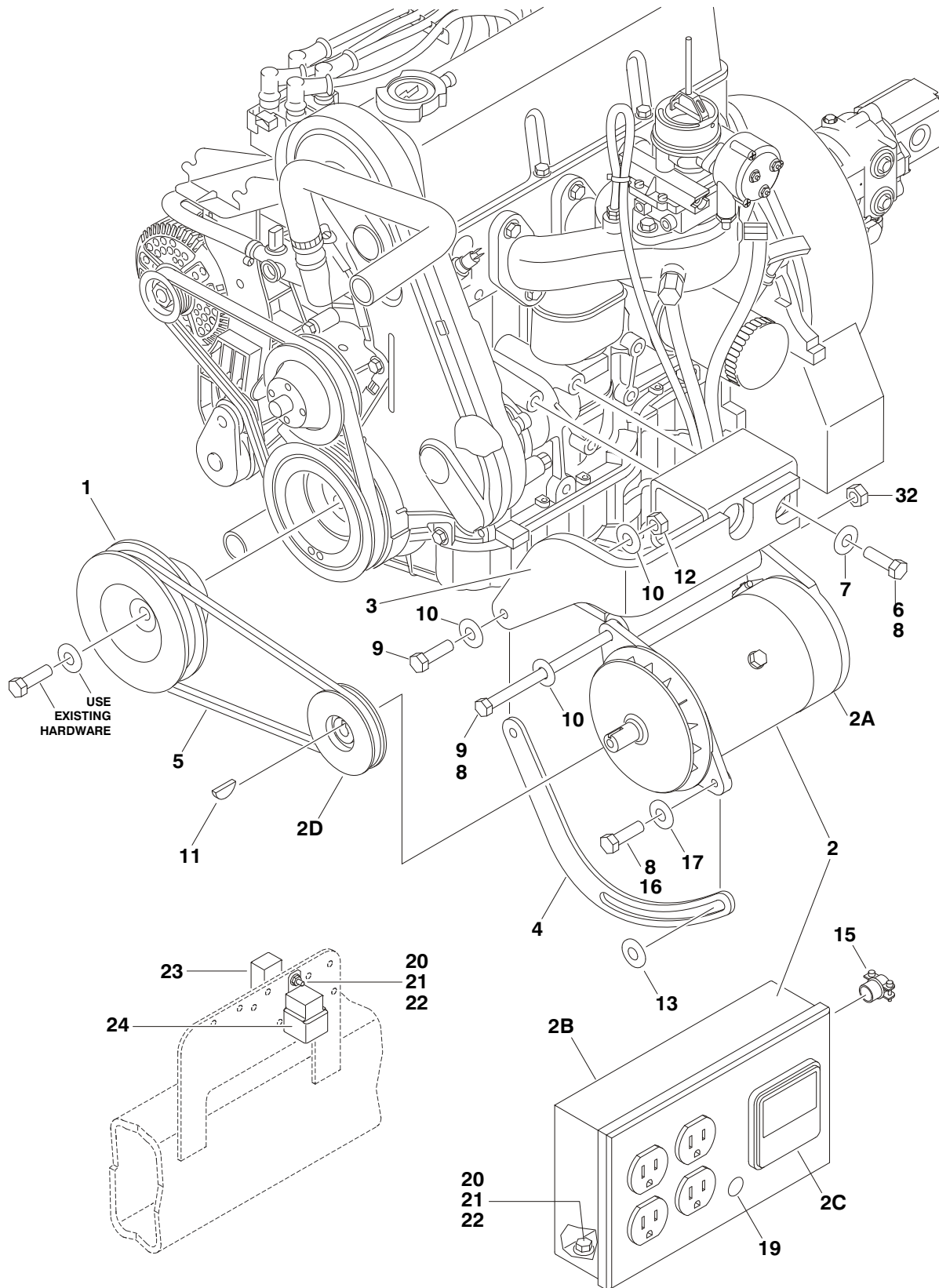
SECTION 2 TURNTABLE

FIGURE 2-24. 2500W GENERATOR INSTALLATION - DEUTZ MACHINES (OPTIONAL)

ITEM #	PART NUMBER	QTY.	DESCRIPTION	REV.

SECTION 2 TURNTABLE

FIGURE 2-25. 2500W GENERATOR INSTALLATION - FORD MACHINES (OPTIONAL) (SN 0300068000 TO SN 0300079619)



SECTION 2 TURNTABLE

FIGURE 2-25. 2500W GENERATOR INSTALLATION - FORD MACHINES (OPTIONAL) (SN 0300068000 TO SN 0300079619)

ITEM #	PART NUMBER	QTY.	DESCRIPTION	REV.
		Ref	GENERATOR INSTALLATION OPTIONS:	
	0271545	Ref	110V Generator	5
	0271546	Ref	220V Generator	4
1	3580250	1	Pulley	
2		1	Generator and Control Box Assembly Options:	
	2460032		110Volt Assembly (SN 0300068000 to SN 0300069575)	C
	2460044		110Volt Assembly (SN 0300069575 to SN 0300079619)	A
	2460013		220Volt Assembly	B
2A		1	Replacement Generator Options:	
	7012558		110V Replacement Generator	
	1001100321		220V Replacement Generator	
		Ref	Note: Replacement Generators come standard with p/n 3580134 pulley. This pulley may not be correct for all applications. Refer to pulley options below.	
	7020193	1	Cable, Generator (Generator to Control Box)	
		1	Armature Options:	
	7026199		Armature 110V Generator	
	70000123		Armature 220V Generator	
	7020108	4	Brush	
	7020109	4	Holder, Brush	
	7012513	4	Cap, Brush Holder	
	7012514	1	Fan	
	7020110	1	Bell, Front	
	7020111	1	Bell Rear	
	7020190	2	Bearing	
2B		1	Control Box Options:	
	7003657		110V Control Box	
	70002235		220V Control Box	
		1	Breaker, Circuit Options:	
	4360542		Breaker 110V	
	70000126		Breaker 220V	
		AR	Receptacle Options:	
	4460190		Receptacle, Standard 110V	
	4460027		Receptacle, Twistlock 110V	
	70000124		Receptacle, Double 220V	
	70000125		Receptacle, Single 220V	
	2920162	1	Lamp	
	7020191	1	Switch, Toggle	
	3520028	1	Plug, Hole	
2C		1	Voltmeter Options:	
	2420203		Voltmeter 110V (was p/n 7010699)	
	7020192		Voltmeter 220V	
2D		1	Pulley Options:	
	3580276		Pulley 110V (SN 0300068000 to SN 0300069575)	
	3580307		Pulley 110V (SN 0300069575 to SN 0300079619)	
	3580134		Pulley 220V	
	7027887	1	Key, Woodruff	

SECTION 2 TURNTABLE

FIGURE 2-25. 2500W GENERATOR INSTALLATION - FORD MACHINES (OPTIONAL) (SN 0300068000 TO SN 0300079619) (CONTINUED)

ITEM #	PART NUMBER	QTY.	DESCRIPTION	REV.
3	0902756	1	Bracket, Generator Mounting	
4	0200547	1	Arm, Adjusting	
5		1	V-Belt Options:	
	0480111		110Volt Generator (SN 0300068000 to SN 0300069575)	
	0480134		110Volt Generator (SN 0300069575 to SN 0300079619)	
	0480050		220Volt Generator	
6	0701015	2	Bolt M10 x 35mm	
7	4812000	2	Flatwasher M10	
8	0100011	AR	Compound, Locking	
9	0641772	1	Bolt 7/16in-14NC x 9in	
10	4751600	6	Flatwasher 3/8in Regular	
11	2860012	1	Key, Woodruff	
12	3311605	1	Locknut 3/8in-16NC	
13	4564417	1	Spacer, Tube	
14	Not Used			
15	4460023	1	Connector, Strain Relief	
16	0641508	1	Bolt 5/16in-18NC x 1in	
17	4751500	2	Flatwasher 5/16in Regular	
18	Not Used			
19	3520028	1	Plug, Hole	
20	0721006	4	Bolt #10-24NC x 3/4in	
21	3311005	4	Locknut #10-24NC	
22	4751000	9	Flatwasher #10 Regular	
23	4360294	1	Breaker, Circuit - 30 Amp	
24	3740080	1	Relay, Bosch	
25	4360336	1	Switch, Toggle (Not Shown - Located at Platform)	
26	4740397	1	Bushing (Not Shown - Located at Platform)	
27	4060802	1	Guard, Switch (Not Shown - Located at Platform)	
28	Not Used			
29	2820031	4in/10cm	Heatshrink (Not Shown - Located at Platform)	
30	3251102	1	Decal (Not Shown - Located at Platform)	
31	Not Used			
32	3311705	1	Locknut 7/16in-14NC	

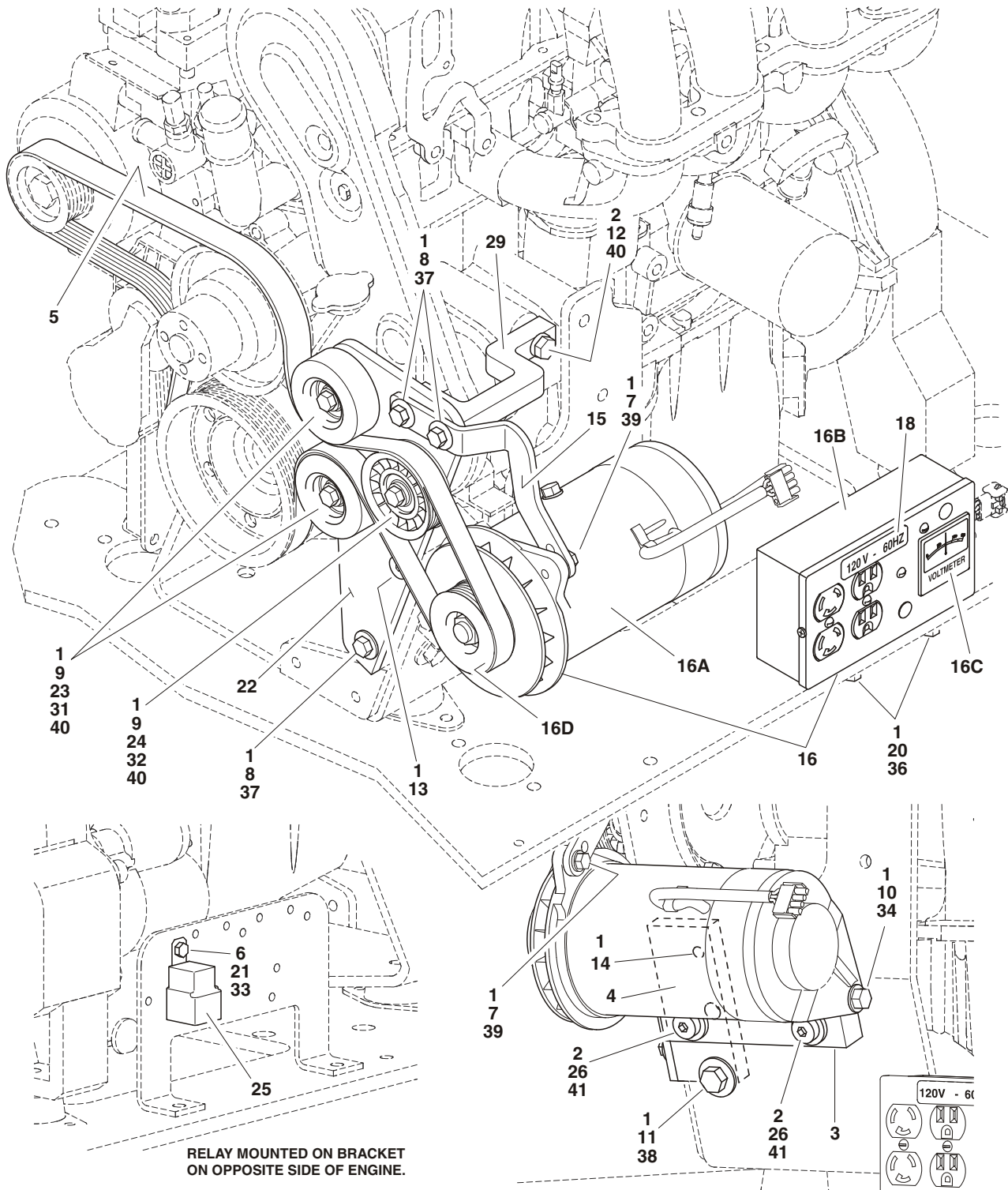
SECTION 2 TURNTABLE

FIGURE 2-25. 2500W GENERATOR INSTALLATION - FORD MACHINES (OPTIONAL) (SN 0300068000 TO SN 0300079619) (CONTINUED)

ITEM #	PART NUMBER	QTY.	DESCRIPTION	REV.

SECTION 2 TURNTABLE

FIGURE 2-26. 2500W GENERATOR INSTALLATION - FORD MACHINES (OPTIONAL) (SN 0300079619 TO SN 0300087000)



SECTION 2 TURNTABLE

FIGURE 2-26. 2500W GENERATOR INSTALLATION - FORD MACHINES (OPTIONAL) (SN 0300079619 TO SN 0300087000)

ITEM #	PART NUMBER	QTY.	DESCRIPTION	REV.
		Ref	GENERATOR INSTALLATION OPTIONS:	
	0273507	Ref	110V Generator with ADE System (SN 0300079612 to SN 0300087000)	C
	0273511	Ref	220V Generator with ADE System (SN 0300079612 to SN 0300087000)	C
1	0100011	AR	Compound, Locking	
2	0100019	AR	Compound, Locking	
3	0363082	1	Bar, Generator Adjuster	
4	0363097	1	Bar, Pulley Mounting	
5	0480135	1	V-Belt	
6	0641405	1	Bolt 1/4in-20NC x 5/8in	
7	0641508	1	Bolt 5/16in-18NC x 1in	
8	0641611	3	Bolt 3/8in-16NC x 1-3/8in	
9	0641612	3	Bolt 3/8in-16NC x 1-1/2in	
10	0641718	2	Bolt 7/16in-14NC x 2-1/4in	
11	0641810	1	Bolt 1/2in-13NC x 1-1/4in	
12	0701015	1	Bolt 10mm x 35mm	
13	0741606	1	Screw, Countersunk 3/8in-16NC x 3/4in	
14	0741808	1	Screw, Countersunk 1/2in-13NC x 1in	
15	0902952	1	Bracket, Generator Mounting	
16		1	Generator and Control Box Assembly Options:	
	2460051		110Volt Assembly	
	2460052		220Volt Assembly	
16A		1	Replacement Generator Options:	
	7012558		110V Replacement Generator	
	1001100321		220V Replacement Generator	
		Ref	Note: Replacement Generators come standard with p/n 3580134 pulley. This pulley may not be correct for all applications. Refer to pulley options below.	
	7020193	1	Cable, Generator (Generator to Control Box)	
		1	Armature Options:	
	7026199		Armature 110V Generator	
	70000123		Armature 220V Generator	
	7020108	4	Brush	
	7020109	4	Holder, Brush	
	7012513	4	Cap, Brush Holder	
	7012514	1	Fan	
	7020110	1	Bell, Front	
	7020111	1	Bell Rear	
	7020190	2	Bearing	
16B		1	Control Box Options:	
	7019680		110V Control Box	
	70000127		220V Control Box	
		1	Breaker, Circuit Options:	
	4360542		Breaker 110V	
	70000126		Breaker 220V	

SECTION 2 TURNTABLE

FIGURE 2-26. 2500W GENERATOR INSTALLATION - FORD MACHINES (OPTIONAL) (SN 0300079619 TO SN 0300087000) (CONTINUED)

ITEM #	PART NUMBER	QTY.	DESCRIPTION	REV.
16B (cont'd)		AR	Receptacle Options:	
	4460190		Receptacle, Standard 110V	
	4460027		Receptacle, Twistlock 110V	
	70000124		Receptacle, Double 220V	
	70000125		Receptacle, Single 220V	
	3520028	1	Plug, Hole	
16C		1	Voltmeter Options:	
	2420203		Voltmeter 110V (was p/n 7010699)	
	7020192		Voltmeter 220V	
16D		1	Pulley Options:	
	3580324		Pulley 110V	
	3580325		Pulley 220V	
	7027887	1	Key, Woodruff	
17	2820031	AR	Heatshrink (Not Shown - Located at Platform)	
18		1	Decal	
	1702590		110Volt Generator	
	3251243		220Volt Generator	
19		1	Nameplate Options (Not Shown - Located at Platform):	
	3252764		SN 0300079619 to SN 0300085044	
	3251102		SN 0300085044 to SN 0300087000	
20	3311005	2	Locknut #10-24NC	
21	3311405	1	Locknut 1/4in-20NC	
22	3574225	1	Plate, Pulley Mounting	
23	3580312	2	Pulley, Idler	
24	3580313	1	Pulley, Grooved Idler	
25	3740080	1	Relay, Bosch	
26	3900322	2	Screw, Shoulder	
27	4060802	1	Guard, Switch (Not Shown - Located at Platform)	
28	4240018	AR	Tie-Strap	
29	4340738	1	Support, Idler Pulley	
30	4360336	1	Switch, Toggle (Not Shown - Located at Platform)	
31	4568734	2	Spacer, Tube (Idler Pulley Non-Grooved)	
32	4568735	1	Spacer, Tube (Idler Pulley Grooved)	
33	4711400	1	Flatwasher 1/4in Thin	
34	4711700	2	Flatwasher 7/16in Thin	
35	4740397	1	Spacer	
36	4751000	2	Flatwasher #10 Regular	
37	4751600	3	Flatwasher 3/8in Regular	
38	4751800	1	Flatwasher 1/2in Regular	
39	4891500	1	Flatwasher 5/16in Hardened	
40	4891600	4	Flatwasher 3/8in Hardened	
41	4892000	2	Flatwasher 5/8in Hardened	

SECTION 2 TURNTABLE

FIGURE 2-26. 2500W GENERATOR INSTALLATION - FORD MACHINES (OPTIONAL) (SN 0300079619 TO SN 0300087000) (CONTINUED)

ITEM #	PART NUMBER	QTY.	DESCRIPTION	REV.

SECTION 2 TURNTABLE

FIGURE 2-27. 7500W SKYPOWER GENERATOR INSTALLATION - CATERPILLAR & DEUTZ ENGINES

ITEM #	PART NUMBER	QTY.	DESCRIPTION	REV.
		Ref	7500W SKYPOWER GENERATOR INSTALLATION	
	0273540	Ref	60Hz & Caterpillar Engine	G
	0272255	Ref	60Hz & Deutz Engine	G
		Ref	Note: SkyPower Generator is Standard On ANSI & CSA Specs. Optional on All Other Specs.	
		Ref	Note: See ELECTRICAL SECTION for Boom Cable Installation.	
1	0100011	AR	Compound, Locking	
2	Not Used			
3	3252764	1	Nameplate	
4	3910606	8	Screw #6-32NC x 3/8in	
5	0641516	3	Bolt 5/16in-18NC x 2in	
6	4711500	10	Flatwasher 5/16inThin	
7	3311505	3	Locknut 5/16in-18NC	
8	4460958	1	Receptacle, Female Twist-Lock	
9	4360336	1	Switch, Toggle	
10	4060802	1	Guard, Switch	
11	3960422	2	Gasket	
12	4060700	1	Cover, Receptacle	
13	4061043	1	Cover, Receptacle	
14	4460346	1	Receptacle	
15	0861542	1	Junction Box Assembly (See Items 201-222 for Breakdown)	
16	4761500	4	Lockwasher 5/16in	
17	0641505	4	Bolt 5/16in-18NC x 5/8in	
18	0860038	2	Box, Switch	
19		1	Generator Assembly Options:	
	2460050		Caterpillar Engine	
	2460048		Deutz Engine	
	70001100	1	Rotor (Includes p/n 70001384 & 70000863) (Not Shown)	
	70001384	1	Bearing, Ball Radial (Not Shown)	
	70000863	1	Fan (Not Shown)	
		1	Stator Options (Not Shown):	
	70001969		2460050 Generator	
	70002088		2460048 Generator	
	70002297	1	Stud	
	Use 70003631	1	Brushholder Assembly (Not Shown) (was p/n 7024484)	
19A	Use 70004171	1	Key (was p/n 7024561)	
19B	70001966	1	Bearing, Ball Radial (Located in Belt Tensioner Endbell)	
19C	70001953	1	Endbell, Belt Tensioner	
19D		1	Endbell, Brush Block Options (was p/n 70001385):	
	Use 70004170		Caterpillar Engine Machines	
	Use 70004169		Deutz Engine Machines	
19E		1	Shroud Options:	
	Use 70004170		Caterpillar Engine (was p/ns 70001970 & 70001971)	
	Use 70004169		Deutz Engine (was p/n 70002290)	
	7027799	1	Block, Connector 6 Position (Not Shown)	
	70002460	1	Nut, Brass (Attaches p/n 7027799 to Cover) (Not Shown)	

SECTION 2 TURNTABLE

FIGURE 2-27. 7500W SKYPOWER GENERATOR INSTALLATION - CATERPILLAR & DEUTZ ENGINES (CONTINUED)

ITEM #	PART NUMBER	QTY.	DESCRIPTION	REV.
19E (cont'd)	7024485	1	Breaker, Circuit 30Amp (Not Shown)	
	70001696	1	Boot, Breaker (was p/n 7024486 - Not Shown)	
	7026597	1	Connector, W/Leads (Not Shown)	
	7026626	1	Housing Plug & Pins (Not Shown)	
	7026188	1	Clamp, Cable (Not Shown)	
		1	Plate, End Panel Options:	
	Use 70004170		Caterpillar Engine (was p/n 70001972)	
	Use 70004169		Deutz Engine (was p/n 70002255)	
	70001974	1	Decal - Terminal Connections	
19F	70001973	1	Decal - Warning Moving Parts	
20	0641808	AR	Bolt 1/2in-13NC x 1in	
21	Not Used			
22	0902888	1	Bracket, Box Mounting	
23	4711800	AR	Flatwasher 1/2in Thin	
24	4711400	AR	Flatwasher 1/4in Thin	
25	0641404	AR	Bolt 1/4in-20NC x 1/2in	
26		1	Shield Options:	
	Not Required		Caterpillar Engine	
	4061049		Deutz Engine	
27	4751400	2	Flatwasher 1/4in Regular	
28	1320224	AR	Clamp	
29	4240018	AR	Tie-strap (Not Shown)	
30	4791400	2	Starwasher 1/4in	
31	0641403	1	Bolt 1/4in-20NC x 3/8in	
32	3740080	2	Relay	
33	0100019	AR	Compound, Locking	
34	4460051	1	Connector, Strain Relief	
35	4460071	1	Connector, Strain Relief	
36	0480129	1	Belt, Drive	
37		4	Bolt Options:	
	0700815		Caterpillar Engine (Bolt M8 x 35mm)	
	4032015		Deutz Engine (Capscrew M10 x 55mm)	
38	4300157	1	Stud	
39	3311801	1	Nut 1/2in-13NC	
40	0100062	1	Loctite (Not Shown)	
41	2820031	1	Insulator	
42	0962520	1	Bushing, Split Taper	
43		1	Bolt 3/8in-16NC x 2-1/4in Options:	
	3931632		Caterpillar Engine (Socket Head Capscrew)	
	0641618		Deutz Engine (Hex Head Bolt)	
44	3580317	1	Tensioner, Belt	
45	3580318	1	Pulley	
46		1	Pulley Options:	
	3580321		Caterpillar Engine	
	3580320		Deutz Engine	
47	4711600	1	Flatwasher 3/8in Thin	
48	4922925	1	Harness, Generator	

SECTION 2 TURNTABLE

FIGURE 2-27. 7500W SKYPOWER GENERATOR INSTALLATION - CATERPILLAR & DEUTZ ENGINES (CONTINUED)

ITEM #	PART NUMBER	QTY.	DESCRIPTION	REV.
49	Use 0861538	1	Control Box Assembly (was p/n 7024487):	
	7024488	1	Card, Circuit - Generator Power	
	See Note	1	Fuse (Note: Not Available - Purchase Locally.)	
	7024489	1	Card, Circuit - Control	
	70000619	1	Harness, Control Box (Internal)	
50 to 59	Not Used			
60	4811900	4	Flatwasher M8 (Caterpillar Engine Only)	
	0861542	Ref	JUNCTION BOX ASSEMBLY	C
101	0861541	1	Box, Junction	
102	1060494	2ft/.6m	Cable, Electrical 12/3	
103	1060708	2.5ft/.76m	Cable, Electrical 10/3	
104	1705376	1	Decal - Wiring Schematic	
105	3300396	1	Cover, Fuse	
106	3310601	2	Nut #6-32NC	
107	1060343	1.5ft/.46m	Cable, Electrical 10/4	
108		1	Rail, Relay Options:	
	3640986		SN 0300068000 to SN 0300072913	
	3641533		SN 0300072913 to SN 0300087000	
109	3910610	2	Bolt #6-32NC x 5/8in	
110	4360070	1	Circuit Breaker - 15 Amp	
111	4460411	2	Marker Strip #1	
112	4460412	4	Marker Strip #2	
113	4460413	2	Marker Strip #3	
114	4460414	2	Marker Strip #4	
115	4460415	4	Marker Strip #5	
116	4460425	2	Strain Relief, Terminal	
117	4460426	2	Connector, Strain Relief	
118	4460607	2	Terminal, End Stop	
119	4460956	1	Terminal, Block End	
120	4460957	7	Terminal, Block	
121	4750600	4	Flatwasher, #6 Regular	
122	4760600	2	Lockwasher #6	
123 to 124	Not Used			
125	1671092	1	Cover	
126	4460963	1	Connector	
127	4461001	2	Cross Connector - 2 Position (SN 0300072913 to SN 0300087000)	
	0272435	Ref	DECAL INSTALLATION	A
201	1705460	2	Decal - SkyPower™	
202	1705374	1	Decal - 240V - 60Hz	
203	1705375	1	Decal - 240V - 3 Phase	
204	1705387	3	Decal, Hazardous Voltage	

SECTION 2 TURNTABLE

FIGURE 2-27. 7500W SKYPOWER GENERATOR INSTALLATION - CATERPILLAR & DEUTZ ENGINES (CONTINUED)

ITEM #	PART NUMBER	QTY.	DESCRIPTION	REV.
	4933264	Ref	ELECTRICAL DIAGRAM COMPONENTS	C
301	4922757	1	Generator Harness	3/C
301A	4460374	2	Plug, Sealed Relay	
	4460375	7	Terminal	
301B	4460967	1	Plug, Male - 3 Position	
	4460465	3	Socket, Female	
301C	2400060	1	Fuseholder (Not Shown)	
	2400064	1	Fuse - 5 Amp (Not Shown)	
302 to 303	Not Used			
304	4922641	1	Switch Harness	

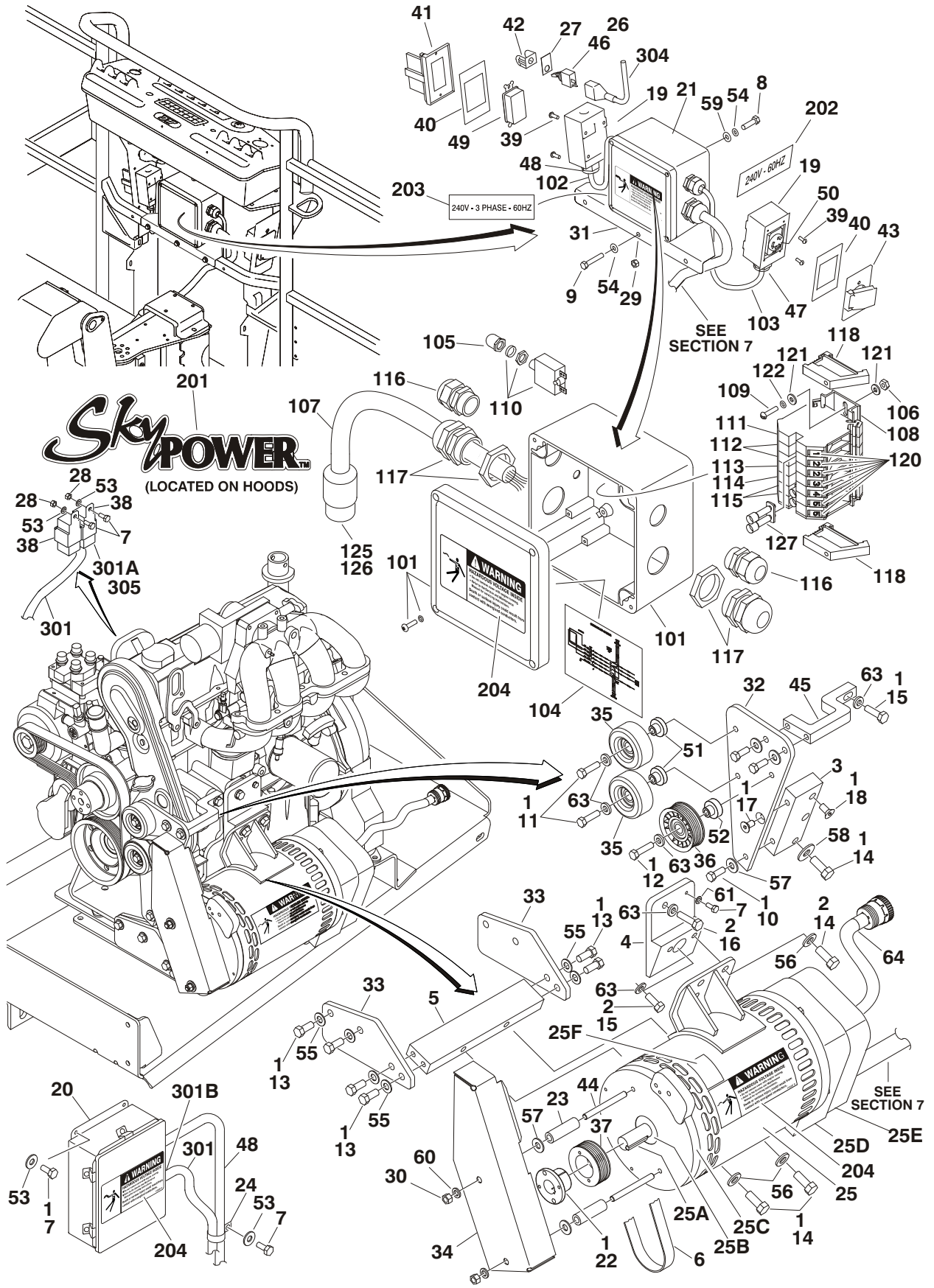
SECTION 2 TURNTABLE

FIGURE 2-27. 7500W SKYPOWER GENERATOR INSTALLATION - CATERPILLAR & DEUTZ ENGINES (CONTINUED)

ITEM #	PART NUMBER	QTY.	DESCRIPTION	REV.

SECTION 2 TURNTABLE

FIGURE 2-28. 7500W SKYPOWER GENERATOR INSTALLATION - FORD ENGINES



SECTION 2 TURNTABLE

FIGURE 2-28. 7500W SKYPOWER GENERATOR INSTALLATION - FORD ENGINES

ITEM #	PART NUMBER	QTY.	DESCRIPTION	REV.
	0272817	Ref	7500W SKYPOWER GENERATOR INSTALLATION Note: SkyPower Generator is Standard On ANSI & CSA Specs. Optional on All Other Specs. Note: See ELECTRICAL SECTION for Boom Cable Installation.	F
		Ref		
		Ref		
1	0100011	AR	Compound, Locking	
2	0100019	AR	Compound, Locking	
3	0363097	1	Bar, Pulley Mount	
4	0363201	1	Bar, Generator Mount (Top)	
5	0363202	1	Bar, Generator Mount (Bottom)	
6	0480130	1	Belt, Generator	
7	0641405	8	Bolt 1/4in-20NC x 5/8in	
8	0641505	4	Bolt 5/16in-18NC x 5/8in	
9	0641516	3	Bolt 5/16in-18NC x 2in	
10	0641608	3	Bolt 3/8in-16NC x 1in	
11	0641611	2	Bolt 3/8in-16NC x 1-3/8in	
12	0641612	1	Bolt 3/8in-16NC x 1-1/2in	
13	0641708	8	Bolt 7/16in-14NC x 1in	
14	0641810	5	Bolt 1/2in-13NC x 1-1/4in	
15	0701015	2	Bolt M10 x 35mm	
16	0701016	1	Bolt M10 x 40mm	
17	0741606	1	Screw, Flathead Countersunk 3/8in-16NC x 3/4in	
18	0741808	1	Screw, Flathead Countersunk 1/2in-13NC x 1in	
19	0860038	2	Box, Switch	
20	Use 0861538	1	Control Box Assembly (was p/n 7024487):	
	7024488	1	Card, Circuit - Generator Power	
	See Note	1	Fuse (Note: Not Available - Purchase Locally.)	
	7024489	1	Card, Circuit - Control	
	70000619	1	Harness, Control Box (Internal)	
21	0861542	1	Junction Box Assembly (See Items 201-222 for Breakdown)	
22	0962520	1	Bushing, Split Taper	
23	0962521	2	Spacer, Tube	
24		1	Clamp Options:	
	1320041	1	Clamp 1/2in (SN 0300068000 to SN 0300080690)	
	1320224	1	Clamp 5/8in (SN 0300080690 to SN 0300087000)	
25	2460048	1	Generator Assembly	
	70001100	1	Rotor (Includes p/n 70001384 & 70000863) (Not Shown)	
	70001384	1	Bearing, Ball Radial (Not Shown)	
	70000863	1	Fan (Not Shown)	
	70002088	1	Stator Options (Not Shown):	
	70002297	1	Stud	
	Use 70003631	1	Brushholder Assembly (Not Shown) (was p/n 7024484)	
25A	Use 70004171	1	Key (was p/n 7024561)	
25B	70001966	1	Bearing, Ball Radial (Located in Belt Tensioner Endbell)	
25C	70001953	1	Endbell, Belt Tensioner	
25D	Use 70004169	1	Endbell, Brush Block (was p/n 70001385)	

SECTION 2 TURNTABLE

FIGURE 2-28. 7500W SKYPOWER GENERATOR INSTALLATION - FORD ENGINES

ITEM #	PART NUMBER	QTY.	DESCRIPTION	REV.
25E	Use 70004169	1	Shroud (was p/n 70002290)	
	7027799	1	Block, Connector 6 Position (Not Shown)	
	70002460	1	Nut, Brass (Attaches p/n 7027799 to Cover) (Not Shown)	
	7024485	1	Breaker, Circuit 30Amp (Not Shown)	
	70001696	1	Boot, Breaker (was p/n 7024486 - Not Shown)	
	7026597	1	Connector, W/Leads (Not Shown)	
	7026626	1	Housing Plug & Pins (Not Shown)	
	7026188	1	Clamp, Cable (Not Shown)	
	Use 70004169	1	Plate, End Panel (was p/n 70002255)	
	70001974	1	Decal - Terminal Connections	
25F	70001973	1	Decal - Warning Moving Parts	
26	2820031	1	Insulator	
27	3252764	1	Nameplate	
28	3311405	6	Locknut 1/4in-20NC	
29	3311505	3	Locknut 5/16in-18NC	
30	3311601	2	Nut 3/8in-16NC	
31	0902888	1	Bracket, Box Mounting	
32	3574225	1	Plate, Pulley Mounting	
33	3574229	2	Plate, Gusset Generator Mounting	
34	3574262	1	Plate, Shield	
35	3580312	2	Pulley, Idler	
36	3580313	1	Pulley, Idler Grooved	
37	3580314	1	Pulley, Drive Grooved	
38	3740080	2	Relay	
39	3910606	8	Screw #6-32NC x 3/8in	
40	3960422	2	Gasket	
41	4060700	1	Cover, Receptacle	
42	4060802	1	Guard, Switch	
43	4061043	1	Cover, Receptacle	
44	4300111	2	Stud, Chain Assembly	
45	4340738	1	Support, Idler Pulley Mount	
46	4360336	1	Switch, Toggle	
47	4460051	1	Connector, Strain Relief	
48	4460071	1	Connector, Strain Relief	
49	4460346	1	Receptacle	
50	4460958	1	Receptacle, Female Twist-Lock	
51	4568734	2	Tube, Spacer Pulley	
52	4568735	1	Tube, Spacer Pulley Grooved	
53	4711400	11	Flatwasher 1/4in Thin	
54	4711500	10	Flatwasher 5/16in Thin	
55	4711700	8	Flatwasher 7/16in Thin	
56	4711800	4	Flatwasher 1/2in Thin	
57	4751600	5	Flatwasher 3/8in Regular	
58	4751800	1	Flatwasher 1/2in Regular	
59	4761500	4	Lockwasher 5/16in	
60	4761600	2	Lockwasher 3/8in	
61	4791400	1	Starwasher 1/4in	
62	Not Used			
63	4891600	6	Flatwasher 3/8in Hardened	

SECTION 2 TURNTABLE

FIGURE 2-28. 7500W SKYPOWER GENERATOR INSTALLATION - FORD ENGINES

ITEM #	PART NUMBER	QTY.	DESCRIPTION	REV.
64	4922925	1	Harness, Generator	
	0861542	Ref	JUNCTION BOX ASSEMBLY	C
101	0861541	1	Box, Junction	
102	1060494	2ft/.6m	Cable, Electrical 12/3	
103	1060708	2.5ft/.76m	Cable, Electrical 10/3	
104	1705376	1	Decal - Wiring Schematic	
105	3300396	1	Cover, Fuse	
106	3310601	2	Nut #6-32NC	
107	1060343	1.5ft/.46m	Cable, Electrical 10/4	
108		1	Rail, Relay Options: SN 0300068000 to SN 0300072913 SN 0300072913 to SN 0300087000	
109	3910610	2	Bolt #6-32NC x 5/8in	
110	4360070	1	Circuit Breaker - 15 Amp	
111	4460411	2	Marker Strip #1	
112	4460412	4	Marker Strip #2	
113	4460413	2	Marker Strip #3	
114	4460414	2	Marker Strip #4	
115	4460415	4	Marker Strip #5	
116	4460425	2	Strain Relief, Terminal	
117	4460426	2	Connector, Strain Relief	
118	4460607	2	Terminal, End Stop	
119	4460956	1	Terminal, Block End	
120	4460957	7	Terminal, Block	
121	4750600	4	Flatwasher, #6 Regular	
122	4760600	2	Lockwasher #6	
123 to 124	Not Used			
125	1671092	1	Cover	
126	4460963	1	Connector	
127	4461001	2	Cross Connector - 2 Position (SN 0300072913 to SN 0300087000)	
	0272435	Ref	DECAL INSTALLATION	A
201	1705460	2	Decal - SkyPower™	
202	1705374	1	Decal - 240V - 60Hz	
203	1705375	1	Decal - 240V - 3 Phase	
204	1705387	3	Decal, Hazardous Voltage	
	4933283	Ref	ELECTRICAL DIAGRAM COMPONENTS	1/A
301	4922905	1	Generator Harness	2/B
301A	4460374	2	Plug, Sealed Relay	
	4460375	7	Terminal	
301B	4460967	1	Plug, Male - 3 Position	
	4460465	3	Socket, Female	
301C	2400060	2	Fuseholder (Not Shown)	
	2400064	2	Fuse - 5 Amp (Not Shown)	

SECTION 2 TURNTABLE

FIGURE 2-28. 7500W SKYPOWER GENERATOR INSTALLATION - FORD ENGINES

ITEM #	PART NUMBER	QTY.	DESCRIPTION	REV.
302 to 303	Not Used			
304	4922641	1	Switch Harness	
305	4460375	1	Terminal	

SECTION 3 BOOM

SECTION 3 BOOM

FIGURE 3-1. BOOM INSTALLATION - 600S

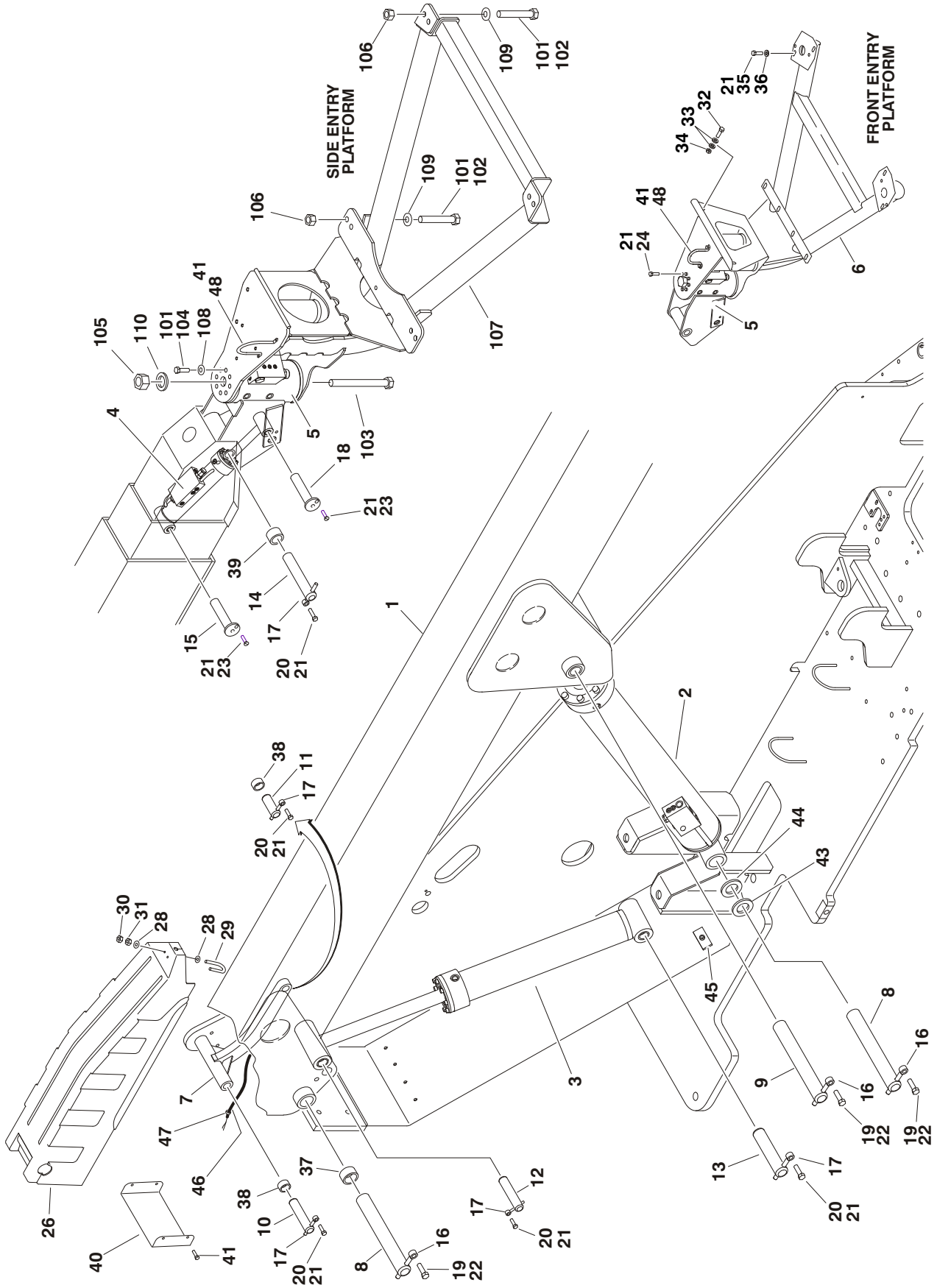


FIGURE 3-1. BOOM INSTALLATION - 600S

ITEM #	PART NUMBER	QTY.	DESCRIPTION	REV.
		Ref	BOOM AND CYLINDERS INSTALLATION	
	0256318	Ref	600S (Front Entry Platform Machines)	6
	0272133	Ref	600S (Side Entry Platform Machines) (SN 0300068000 to SN 0300073986)	2
	0273369	Ref	600S (Side Entry Platform Machines) (SN 0300073986 to SN 0300087000)	1
1		1	Boom Assembly - 600S Options (See MAIN BOOM ASSEMBLIES for Breakdown):	
	0801009		SN 0300068000 to SN 0300073986	
	0801381		SN 0300073986 to SN 0300087000	
2		1	Boom Lift Cylinder Assembly Options (See CYLINDER SECTION for Breakdown):	
	1683275		SN 0300068000 to SN 0300070975	
	Use 1001112468		SN 0300070975 to SN 0300087000 (was p/n 1683666)	
3	1683266	1	Master Cylinder Assembly (See CYLINDER SECTION for Breakdown)	
4	1683415	1	Platform Level Cylinder Assembly (See CYLINDER SECTION for Breakdown)	
5		1	Rotator Assembly Options:	
	Use 0060075		Front Entry Platform (p/n was 0060034) (See ROTATOR ASSEMBLIES (FRONT ENTRY PLATFORM) for Breakdown)	
	0060067		Side Entry Platform (See ROTATOR ASSEMBLIES (SIDE ENTRY PLATFORM) for Breakdown)	
6		1	Support, Platform Options:	
	4844790		Front Entry Platform	
	See Note		Side Entry Platform (Note: See Items 101-110)	
7	1001094043	1	Link, Push (was p/n 4844944)	
8	3422564	2	Pin (Cylinder Pivot - T/T End & Boom Pivot)	
9	3422568	1	Pin (Lift Cylinder Pivot - Boom End)	
10	3422566	1	Pin (Link - T/T End)	
11	3422557	1	Pin (Link - Boom End)	
12	3422567	1	Pin (Master Cylinder - Boom End)	
13	3422565	1	Pin (Master Cylinder - T/T End)	
14	3422562	1	Pin (Rotator)	
15	3422569	1	Pin (Level Cylinder - Boom End)	
16	3841258	3	Keeper, Pin	
17	3841143	5	Keeper, Pin	
18	3422580	1	Pin (Level Cylinder - Rotator End)	
19	0642012	3	Bolt 5/8in-11NC x 1-1/2in	
20	0641608	5	Bolt 3/8in-16NC x 1in	
21	0100011	AR	Compound, Locking	
22	0100019	AR	Compound, Locking	
23	0741607	2	Screw, Countersunk 3/8in-16NC x 7/8in	
24	0641810	6	Bolt 1/2in-13NC x 2-1/2in (Front Entry Platform)	
25	Not Used			
26	1671055	1	Cover, Boom	
27	Not Used			
28	4751400	4	Flatwasher 1/4in Regular	
29	0630458	1	U-Bolt	

SECTION 3 BOOM

FIGURE 3-1. BOOM INSTALLATION - 600S (CONTINUED)

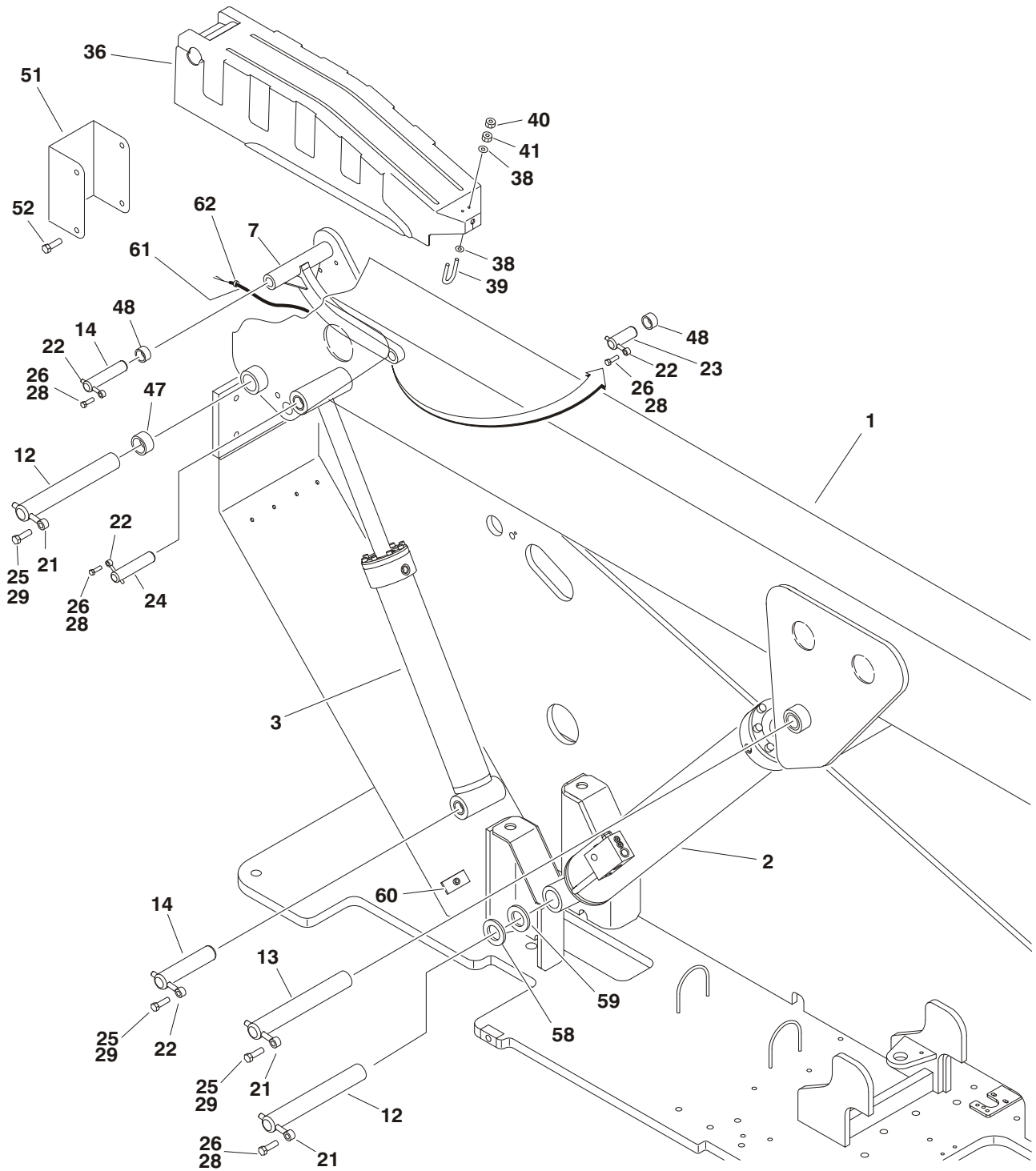
ITEM #	PART NUMBER	QTY.	DESCRIPTION	REV.
30	3311402	4	Nut, Jam 1/4in-20NC	
31	3311401	2	Locknut 1/4in-20NC	
32	0641820	4	Bolt 1/2in-13NC x 2-1/2in (Front Entry Platform)	
33	4711800	8	Flatwasher 1/2in Thin (Front Entry Platform)	
34	3311805	4	Locknut 1/2in-13NC (Front Entry Platform)	
35	0681610	4	Bolt 3/8in-16NC x 1-1/4in (Grade 8) (Front Entry Platform)	
36	4711600	4	Flatwasher 3/8in Thin (Front Entry Platform)	
37	0961950	2	Bushing	
38	0962006	3	Bushing, Garmax	
39	0961951	2	Bushing, Garmax	
40	3539563	1	Cover	
41	0641604	6	Bolt 3/8in-16NC x 1/2in	
42	Not Used			
43	4740314	AR	Thrustwasher	
44	4740158	AR	Thrustwasher	
45	1320235	1	Clamp, Staff	
46	4100033	2ft/.3m	Sleeve	
47	4240033	2	Tie-Strap	
48	3841340	1	Loop, Hose	
		Ref	SUPPORT INSTALLATIONS (SIDE ENTRY PLATFORM)	
	0272070	Ref	Machines without Load Sensing and without Skyglazier	C
	See Note	Ref	Machines without Load Sensing and with Skyglazier (Note: For CE Spec Machines Refer to JLG Supplement p/n 3124242 for Components.)	
	See Note	Ref	Machines with Load Sensing and without Skyglazier (Note: For CE Spec Machines Refer to JLG Supplement p/n 3124287 for Components.)	
	See Note	Ref	Machines with Load Sensing and with Skyglazier (Note: For CE Spec Machines Refer to JLG Supplement p/n 3124287 for Components.)	
101	0100011	AR	Compound, Locking	
102	0641812	8	Bolt 1/2in-13NC x 1-1/2in	
103	0642684	1	Bolt 1in-8NC x 10-1/2in	
104	0681608	8	Bolt 3/8in-16NC x 1in (Grade 8)	
105	3272605	1	Locknut 1in-8NC	
106	3311805	8	Locknut 1/2in-13NC	
107	4846573	1	Support, Platform	
108	4891600	8	Flatwasher 3/8in Hardened	
109	4891800	8	Flatwasher 1/2in Hardened	
110	4892600	1	Flatwasher 1in Hardened	

FIGURE 3-1. BOOM INSTALLATION - 600S (CONTINUED)

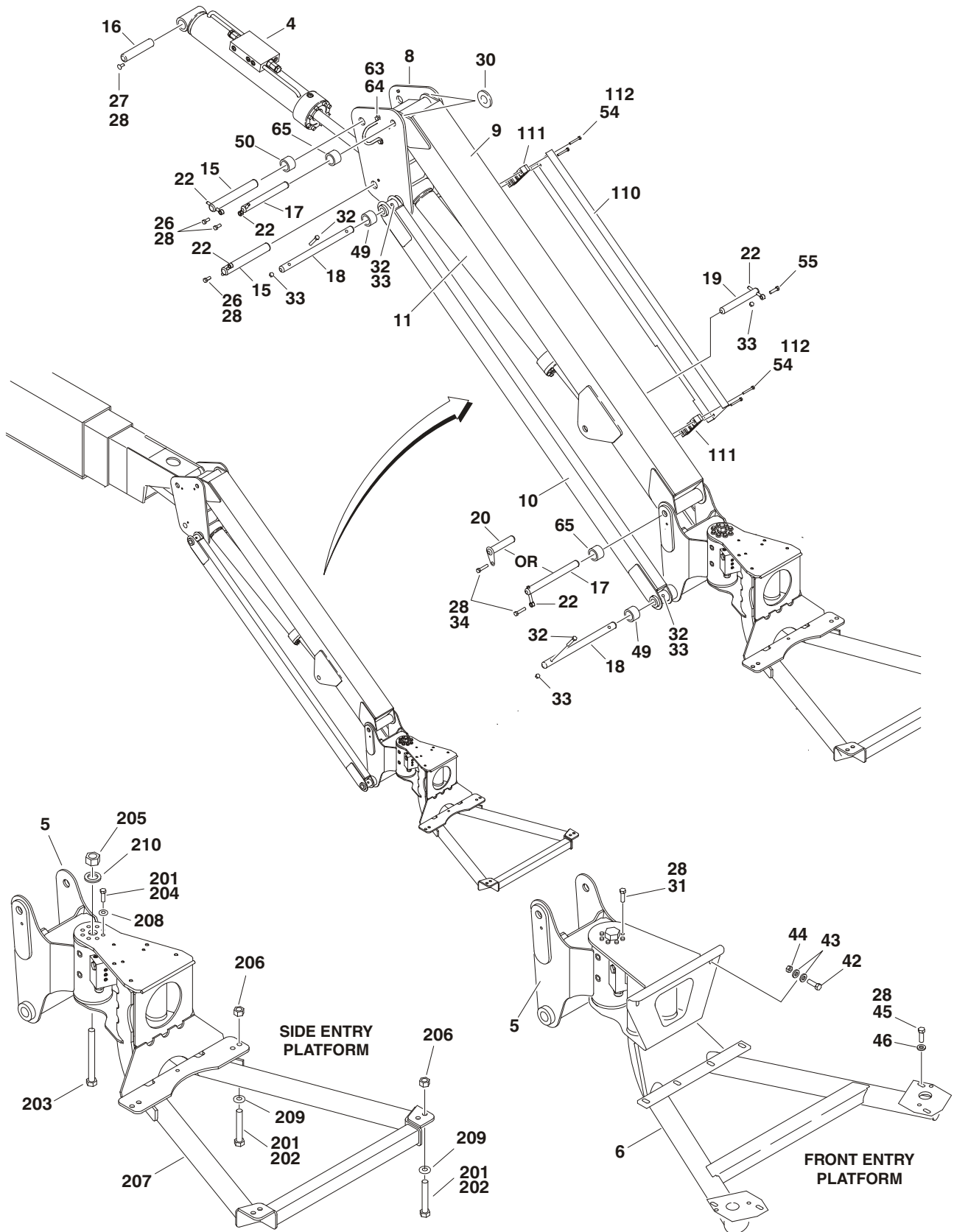
ITEM #	PART NUMBER	QTY.	DESCRIPTION	REV.

SECTION 3 BOOM

FIGURE 3-2. BOOM INSTALLATION - 600SJ & 660SJ



SECTION 3 BOOM



SECTION 3 BOOM

FIGURE 3-2. BOOM INSTALLATION - 600SJ & 660SJ

ITEM #	PART NUMBER	QTY.	DESCRIPTION	REV.
		Ref	BOOM & CYLINDERS INSTALLATIONS	
	0271320	Ref	600SJ (Front Entry Platform Machines)	3
	0272139	Ref	600SJ (Side Entry Platform Machines)	3
	0271319	Ref	660SJ (Front Entry Platform Machines)	3
	0272137	Ref	660SJ (Side Entry Platform Machines)	3
1		1	Boom Assembly Options: (See MAIN BOOM ASSEMBLIES for Breakdown)	
	0801035		600SJ (SN 0300068000 to SN 0300073986)	
	0801389		600SJ (SN 0300073986 to SN 0300087000)	
	0801010		660SJ (SN 0300068000 to SN 0300073986)	
	0801388		660SJ (SN 0300073986 to SN 0300087000)	
2		1	Boom Lift Cylinder Assembly Options (See CYLINDER SECTION for Breakdown):	
	1683275		SN 0300068000 to SN 0300070975	
	Use 100112468		SN 0300070975 to SN 0300087000 (was p/n 1683666)	
3	1683263	1	Master Cylinder Assembly (See CYLINDER SECTION for Breakdown)	
4	1683418	1	Platform Level Cylinder Assembly (See CYLINDER SECTION for Breakdown)	
5		1	Rotator Assembly Options:	
	Use 1001103095		Front Entry Platform (p/n was 0060031 - See ROTATOR ASSEMBLIES (FRONT ENTRY PLATFORM) for Breakdown) (Kit p/n 1001103095 includes p/n 0060074 actuator, attaching pin & hardware)	
	0060066		Side Entry Platform (See ROTATOR ASSEMBLIES (SIDE ENTRY PLATFORM) for Breakdown)	
6		1	Support, Platform Options:	
	4844790		Front Entry Platform	
	See Note		Side Entry Platform (Note: See Items 201-210)	
7	1001094043	1	Link, Push (was p/n 4844944)	
8	4844815	1	Pivot	
9	4844816	1	Tube (Top)	
10	4844817	2	Tube (Bottom)	
11		1	Articulating Jib Lift Cylinder Assembly Options (See CYLINDER SECTION for Breakdown):	
	1683258		SN 0300068000 to SN 0300070975	
	1683609		SN 0300070975 to SN 0300087000	
12	3422564	2	Pin (Boom Pivot & Lift Cylinder Pivot - T/T End)	
13	3422568	1	Pin (Boom Lift Cylinder - Boom End)	
14	3422566	2	Pin (Link - T/T End & Master Cylinder - T/T End)	
15	3422561	2	Pin (Articulating Jib Cylinder - Pivot End & Pivot - Boom End)	
16	3422583	1	Pin (Articulating Jib Level Cylinder - Boom End)	
17	3422860	2	Pin (Top Tube - Pivot End)	
18	3422861	2	Pin (Bottom Tube - Both Ends)	
19	3422867	1	Pin (Articulating Jib Lift Cylinder - Top Tube End)	
20	3422563	1	Pin (Top Tube - Rotator End)	
21	3841258	3	Keeper, Pin	
22	3841143	9	Keeper, Pin	
23	3422557	1	Pin (Link - Boom)	
24	3422574	1	Pin (Master Cylinder - Boom End)	

FIGURE 3-2. BOOM INSTALLATION - 600SJ & 660SJ (CONTINUED)

ITEM #	PART NUMBER	QTY.	DESCRIPTION	REV.
25	0642012	3	Bolt 5/8in-11NC x 1-1/2in	
26	0641608	7	Bolt 3/8in-16NC x 1in	
27	0741607	1	Screw, Countersunk 3/8in-16NC x 7/8in	
28	0100011	AR	Compound, Locking	
29	0100019	AR	Compound, Locking	
30	4740439	2	Thrustwasher	
31	0641810	6	Bolt 1/2in-13NC x 1-1/4in (Front Entry Platform)	
32	0641618	4	Bolt 3/8in-16NC x 2-1/4in	
33	3311605	5	Locknut 3/8in-16NC	
34	0641614	1	Bolt 3/8in-16NC x 1-3/4in	
35	Not Used			
36	1671055	1	Cover, Boom	
37	Not Used			
38	4751400	4	Flatwasher 1/4in Regular	
39	0630458	1	U-Bolt	
40	3311402	4	Nut, Jam 1/4in-20NC	
41	3311402	2	Locknut 1/4in-20NC	
42	0641820	4	Bolt 1/2in-13NC x 2-1/2in (Front Entry Platform)	
43	4711800	8	Flatwasher 1/2in Thin (Front Entry Platform)	
44	3311805	4	Locknut 1/2in-13NC (Front Entry Platform)	
45	0681610	4	Bolt 3/8in-16NC x 1-1/4in (Grade 8) (Front Entry Platform)	
46	4711600	4	Flatwasher 3/8in Thin (Front Entry Platform)	
47	0961950	2	Bushing, Composite	
48	0962006	3	Bushing, Composite	
49	0961947	10	Bushing, Composite	
50	0961951	2	Bushing, Composite	
51	3539563	1	Cover	
52	0641604	4	Bolt 3/8in-16NC x 1/2in	
53	Not Used			
54	2080044	4	Rivnut	
55	0641611	1	Bolt 3/8in-16NC x 1-3/8in	
56 to 57	Not Used			
58	4740314	AR	Thrustwasher	
59	4740158	AR	Thrustwasher	
60	1320235	1	Clamp	
61	4100033	2ft/.6m	Sleeve, Abrasion	
62	4240033	2	Tie-Strap	
63	3841340	1	Clamp, Loop	
64	0641606	2	Bolt 3/8in-16NC x 3/4in	
65	0962335	4	Bushing	
		Ref	BOOM CABLES INSTALLATION	
	0270738	Ref	600SJ - 2WS	2
	0256939	Ref	600SJ - 4WS	3
	0270736	Ref	660SJ - 2WS	2
	0256936	Ref	660SJ - 4WS	2
101 to 109	Not Used			
110	1670769	1	Cover	

SECTION 3 BOOM

FIGURE 3-2. BOOM INSTALLATION - 600SJ & 660SJ (CONTINUED)

ITEM #	PART NUMBER	QTY.	DESCRIPTION	REV.
111	0561237	2	Clamp, Block	
112	0641416	4	Bolt 1/4in-20NC x 2in	
		Ref	SUPPORT INSTALLATIONS (SIDE ENTRY PLATFORM)	
	0272070	Ref	Machines without Load Sensing and without Skyglazier	C
		Ref	CE Spec Machines:	
	See Note	Ref	Machines without Load Sensing and with Skyglazier (Note: For Replacement Parts, Contact JLG Customer Service and Request Manual p/n 3124242.)	
	See Note	Ref	Machines with Load Sensing and without Skyglazier (Note: For Replacement Parts, Contact JLG Customer Service and Request Manual p/n 3124287.)	
	See Note	Ref	Machines with Load Sensing and with Skyglazier (Note: For Replacement Parts, Contact JLG Customer Service and Request Manual p/n 3124287.)	
201	0100011	AR	Compound, Locking	
202	0641812	8	Bolt 1/2in-13NC x 1-1/2in	
203	0642684	1	Bolt 1in-8NC x 10-1/2in	
204	0681608	8	Bolt 3/8in-16NC x 1in (Grade 8)	
205	3272605	1	Locknut 1in-8NC	
206	3311805	8	Locknut 1/2in-13NC	
207	4846573	1	Support, Platform	
208	4891600	8	Flatwasher 3/8in Hardened	
209	4891800	8	Flatwasher 1/2in Hardened	
210	4892600	1	Flatwasher 1in Hardened	

FIGURE 3-2. BOOM INSTALLATION - 600SJ & 660SJ (CONTINUED)

ITEM #	PART NUMBER	QTY.	DESCRIPTION	REV.

SECTION 3 BOOM

FIGURE 3-3. MAIN BOOM ASSEMBLIES

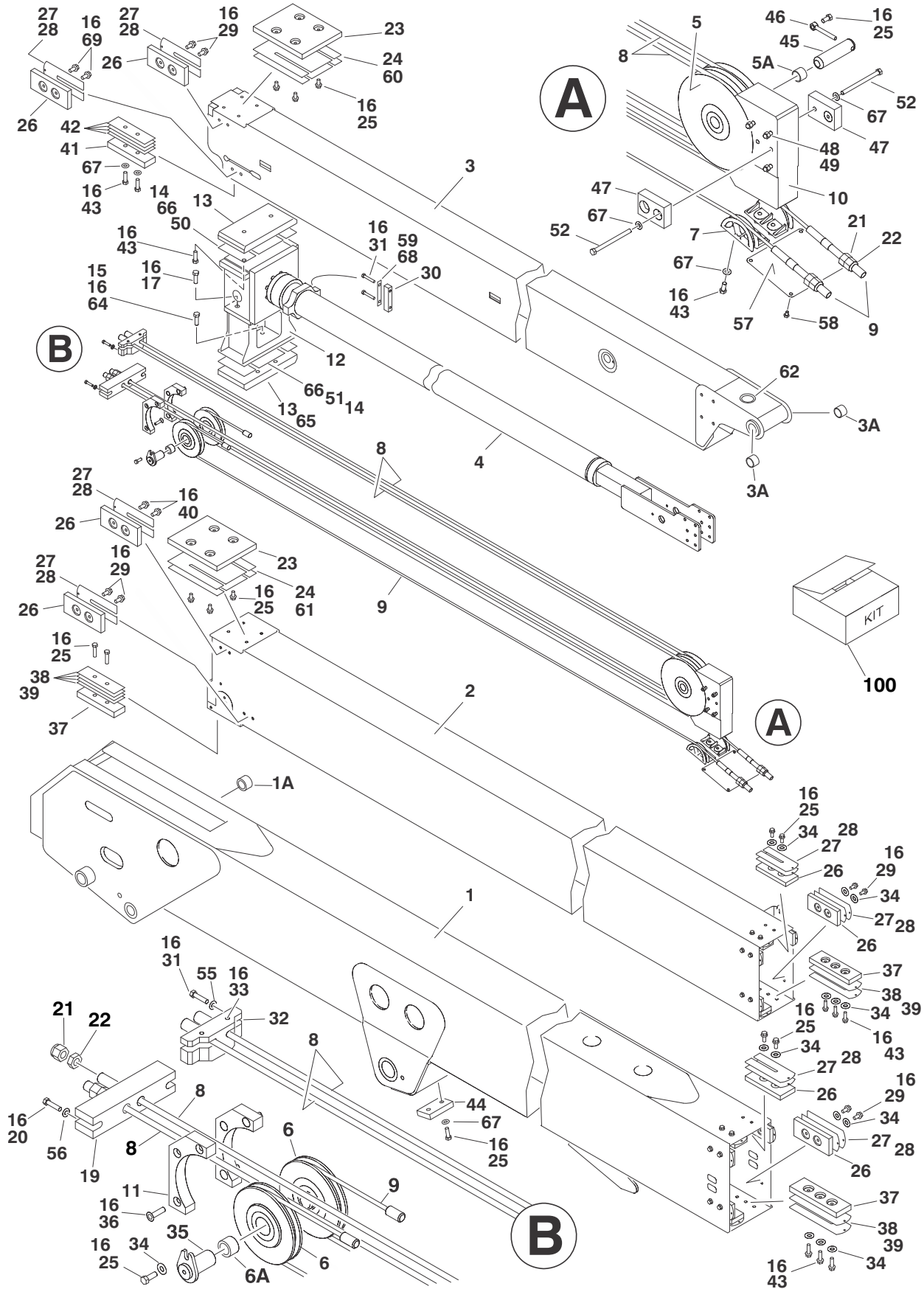


FIGURE 3-3. MAIN BOOM ASSEMBLIES

ITEM #	PART NUMBER	QTY.	DESCRIPTION	REV.
		Ref	MAIN BOOM ASSEMBLY OPTIONS:	
	0801009	Ref	600S (SN 0300068000 to SN 0300073986)	23/P
	0801381	Ref	600S (SN 0300073986 to SN 0300087000)	3/C
	0801035	Ref	600SJ (SN 0300068000 to SN 0300073986)	18/K
	0801389	Ref	600SJ (SN 0300073986 to SN 0300087000)	3/C
	0801010	Ref	660SJ (SN 0300068000 to SN 0300073986)	20/M
	0801388	Ref	660SJ (SN 0300073986 to SN 0300087000)	3/C
1		1	Base Weldment Options:	
	0801011		600S	
	0801036		600SJ	
	0801011		660SJ	
1A	0961950	2	Bushing, Garmax	
2		1	Mid Weldment Options:	
	0801012		600S & 660SJ (SN 0300068000 to SN 0300073986)	
	0801372		600S & 660SJ (SN 0300073986 to SN 0300087000)	
	0801037		600SJ (SN 0300068000 to SN 0300073986)	
	0801373		600SJ (SN 0300073986 to SN 0300087000)	
3		1	Fly Weldment Options:	
	0801065		600S	
	0801038		600SJ	
	0801014		660SJ	
3A	0961951	2	Bushing, Garmax (600SJ & 660SJ Only)	
4		1	Telescope Cylinder Assembly Options: (See CYLINDER SECTION for Breakdown)	
	1683618		600S & 660SJ	
	1683620		600SJ	
5	3580241	1	Sheave Assembly (Extend)	2/B
5A	0961951	2	Bushing, Garmax	
6	3580243	2	Sheave Assembly (Retract)	1/A
6A	0961951	2	Bushing, Garmax (1 Per Sheave)	
7	1220078	2	Block, Sheave	
8		2	Cable (Extend) Options:	
	3890005		600S & 660SJ	
	3890007		600SJ	
9		2	Cable (Retract) Options:	
	3890006		600S & 660SJ	
	3890008		600SJ	
10	3580248	1	Guard, Sheave (Extend)	
11	3580249	2	Guard, Sheave (Retract)	
12	4846319	1	Support, Wear Pad	
13	3340844	1	Pad, Wear	
14	4070975	AR	Shim.05 (SN 0300068000 to SN 0300072078)	
15	0641608	AR	Bolt 3/8in-16NC x 1in (SN 0300068000 to SN 0300082632)	
16	0100011	AR	Compound, Locking	

SECTION 3 BOOM

FIGURE 3-3. MAIN BOOM ASSEMBLIES (CONTINUED)

ITEM #	PART NUMBER	QTY.	DESCRIPTION	REV.
17	0681612	4	Bolt Options: Bolt 3/8in-16NC x 1-1/2in (Grade 8) (SN 0300068000 to SN 0300082632)	
	0681610		Bolt 3/8in-16NC x 1-1/4in (Grade 8) (SN 0300082632 to SN 0300087000)	
18	Not Used			
19	0561184	1	Block, Cable	
20	0641824	2	Bolt 1/2in-13NC x 3in	
21	3312201	4	Nut 3/4in-10NC	
22	3300241	4	Locknut, Special 3/4in-10NC	
23	3340757	2	Pad, Wear	
24	4070896	4	Shim (.06) (Without Slide-In Slots)	
25	0641607	AR	Bolt 3/8in-16NC x 7/8in	
26	3340881	20	Pad, Wear	
27	4070897	28	Shim (.05) (Without Slide-In Slots)	
28	4070898	24	Shim (.12) (Without Slide-In Slots)	
29		AR	Bolt Options:	
	0641605	16	Bolt 3/8in-16NC x 5/8in (SN 0300068000 to SN 0300082632)	
	0641606	24	Bolt 3/8in-16NC x 3/4in (SN 0300082632 to SN 0300087000)	
30	0561185	2	Block	
31	0641618	6	Bolt 3/8in-16NC x 2-1/4in	
32	0561183	1	Block, Cable	
33	3951608	2	Setscrew 3/8in-16NC x 1in	
34	4711600	AR	Flatwasher 3/8in Thin	
35	3422424	2	Pin (Retract Sheave)	
36	0741612	6	Screw, Countersunk 3/8in-16NC x 1-1/2in	
37	3340871	5	Pad, Wear	
38	4070863	12	Shim (.12)	
39	4070864	12	Shim (.05)	
40	0641613	AR	Bolt 3/8in-16NC x 1-5/8in	
41	3340758	2	Pad, Wear	
42	4070895	8	Shim (.06)	
43		AR	Bolt Options:	
	0641610	14	Bolt 3/8in-16NC x 1-1/4in (SN 0300068000 to SN 0300082632)	
	0641608	22	Bolt 3/8in-16NC x 1in (SN 0300082632 to SN 0300087000)	
44	0561076	1	Block	
45	3422417	2	Pin (Extend Sheave)	
46	3841143	1	Keeper, Pin	
47	3340755	2	Pad, Wear	
48	0641634	4	Bolt 3/8in-16NC x 4-1/4in	
49	3311605	4	Locknut 3/8in-16NC	
50	4070976	1	Shim (.12)	
51	4071004	1	Shim (.25)	
52		2	Bolt Options:	
	0641640		Bolt 3/8in-16NC x 5in (SN 0300068000 to SN 0300082632)	
	0641638		Bolt 3/8in-16NC x 4-3/4in (SN 0300082632 to SN 0300087000)	

SECTION 3 BOOM

FIGURE 3-3. MAIN BOOM ASSEMBLIES (CONTINUED)

ITEM #	PART NUMBER	QTY.	DESCRIPTION	REV.
53 to 54	Not Used			
55	4891600	6	Flatwasher 3/8in Hardened	
56	4891800	2	Flatwasher 1/2in Hardened	
57	3539622	1	Plate, Cover	
58	0641403	4	Bolt 1/4in-20NC x 3/8in	
59	4070929	AR	Shim	
60	4070939	AR	Shim 16Ga (With Slide-In Slots)	
61	4070940	AR	Shim 16Ga (With Slide-In Slots)	
62	4060805	6in/16cm	Flex-Trim	
63	1670836	8	Cover, Boom (Not Shown)	
64	0681608	4	Bolt 3/8in-16NC x 1in	
65	3340900	1	Pad, Wear	
66	4071005	AR	Shim	
67	4751600	12	Flatwasher 3/8in Regular (SN 0300082632 to SN 0300087000)	
68	4071007	AR	Shim (SN 0300082632 to SN 0300087000)	
69	0641614	4	Bolt 3/8in-16NC x 1-3/4in (SN 0300082632 to SN 0300087000)	
100	2901986	1	----- Kit, Wear Pad Support (Includes Items 12, 51, 75, 76 & 77)	

SECTION 3 BOOM

FIGURE 3-4. ROTATOR ASSEMBLIES (FRONT ENTRY PLATFORM)

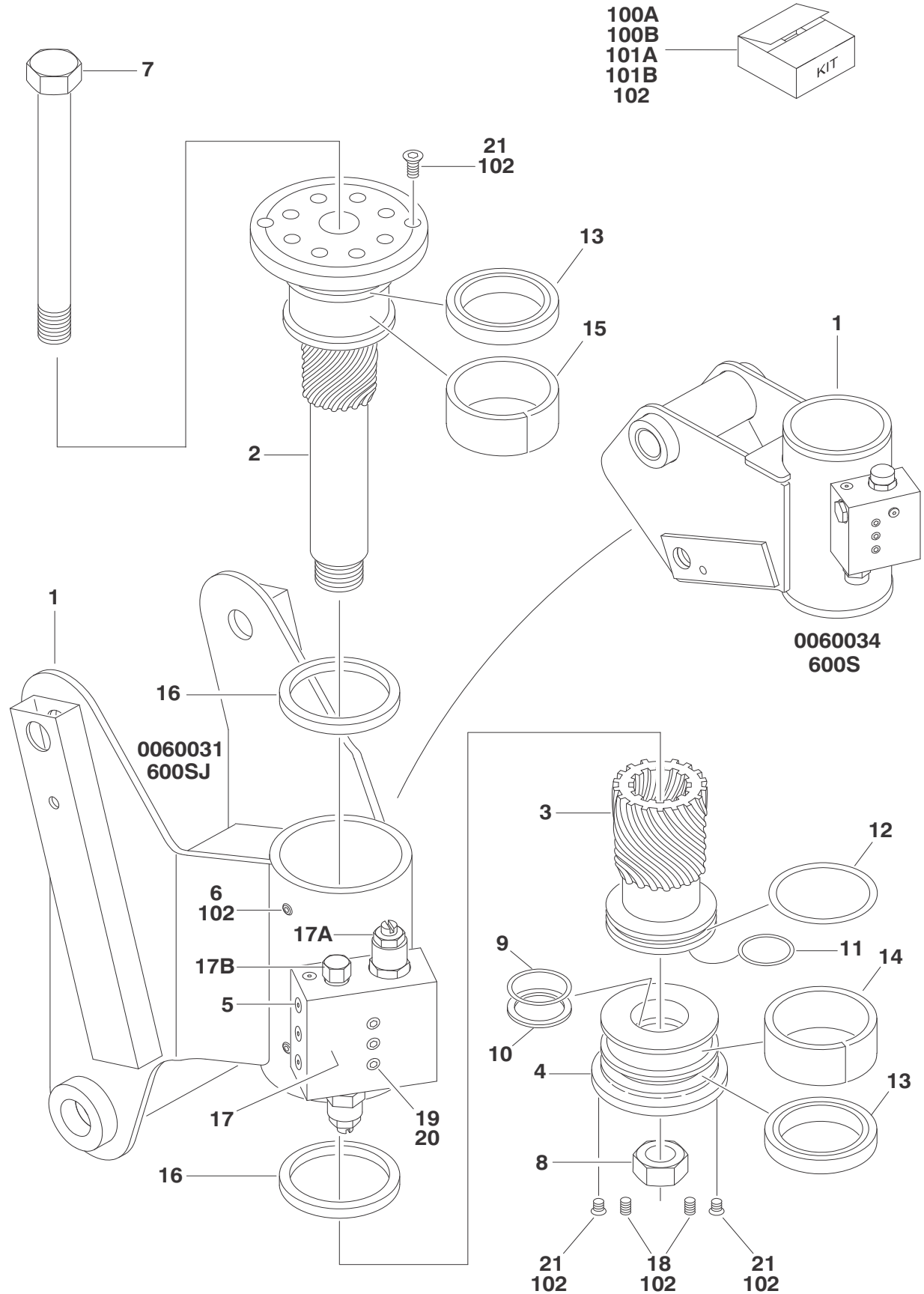


FIGURE 3-4. ROTATOR ASSEMBLIES (FRONT ENTRY PLATFORM)

ITEM #	PART NUMBER	QTY.	DESCRIPTION	REV.
		Ref	ROTATOR ASSEMBLIES	
		Ref	Note: Recommended replacement rotator uses spacer plate bolted on the top with 8 capscrews (Not shown - located at item 2). Actual production rotator does not use spacer plate.	
	0060034	Ref	600S (Actual Production)	G
	0060075	Ref	600S (Recommended Replacement)	B
	0060031	Ref	600SJ & 660SJ (Actual Production)	H
	See Note	Ref	600SJ & 660SJ (Recommended Replacement)	
		Ref	Note: For 600SJ & 660SJ, the recommended replacement rotator kit p/n 1001103095 (includes 0060074 actuator assembly, attaching pin & hardware).	
1	See Note	1	Housing/Ring Gear Assembly (Note: Not Available - Purchase Complete Rotator Assembly.)	
2		1	Shaft Weldment Options:	
	Use 7017177		0060034 & 0060031 Rotators (was p/n 7017117)	
	7017162		0060075 & 0060074 Rotators	
	See Note	1	Plate, Spacer (Not Shown) (0060075 & 0060074 Rotators Only) (Note: Not Available for Purchase.)	
3		1	Piston/Sleeve Options:	
	7017115		0060034 & 0060031 Rotators	
	7017163		0060075 & 0060074 Rotators	
4		1	Cap, End Options:	
	7017174		0060034 Rotators	
	Use 7017174		0060031 Rotators (was p/n 7017116)	
	7017164		0060075 & 0060074 Rotators	
5	See Note	6	Plug, Port (Note: Not Available - Purchase Locally.)	
6	Use 7017142	2	Plug	
7	7017119	1	Bolt 1in-8NC x 11in	
8	3272605	1	Locknut 1in-8NC	
9	See Note	1	Seal, Cap (Note: Use Item 100A or 100B)	
10	See Note	1	Ring, Back-up (Cap) (Note: Use Item 100A or 100B)	
11	See Note	1	Seal, Rod (Note: Use Item 100A or 100B)	
12	See Note	1	Seal, Piston (Note: Use Item 100A or 100B)	
13	See Note	2	Packing, Bearing (Note: Use Item 100A or 100B)	
14	See Note	1	Bearing, Cap (Note: Use Item 101A or 101B)	
15	See Note	1	Bearing, Shaft (Note: Use Item 101A or 101B)	
16	See Note	2	Thrustwasher (Note: Use Item 101A or 101B)	
17		1	Valve Assembly Options:	
	Use 7017183		0060034 & 0060031 Rotators (was p/n 7017101)	
	7017183		0060075 & 0060074 Rotators	
17A		2	Cartridge, Valve Options:	
	7011331		Cartridge for Helac p/n 24736	
	7017193		Cartridge for Helac p/n 27600	
	2900770	2	Seal Kit - 7011331 Valve	
	See Note	2	Seal Kit - 7017193 Valve (Note: Not Available for Purchase.)	

SECTION 3 BOOM

FIGURE 3-4. ROTATOR ASSEMBLIES (FRONT ENTRY PLATFORM) (CONTINUED)

ITEM #	PART NUMBER	QTY.	DESCRIPTION	REV.
17B		AR	Cartridge, Valve Options:	
	7011332	2	Cartridge for Helac p/n 24736	
	See Note	1	Cartridge for Helac p/n 27600 (Not Shown - Located on Side of Valve Block)	
			(Note: Not Available for Purchase.)	
	7011346	2	Seal Kit - 7011332 Valve	
	See Note	1	Seal Kit - Valve Located on Side of Block	
			(Note: Not Available for Purchase.)	
18	7017118	2	Setscrew/Pin	
19	See Note	3	Capscrew 1/4in-20NC (Grade 8)	
			(Note: Not Available for Purchase.)	
20	3790110	3	O-Ring (Located between Valve & Actuator Housing)	
21	70001697	4	Screw, Countersunk 1/4in-20NC x 3/8in (Grade 8)	
		Ref	KIT OPTIONS	
100		1	Seal Kit Options (Includes Items 9-13):	
100A	7017157		Seal Kit for 0060034 & 0060031 Rotators	
100B	7017158		Seal Kit for 0060075 & 0060074 Rotators	
101		1	Bearing Kit Options (Includes Items 14-16):	
101A	7017156		Bearing Kit for 0060034 & 0060031 Rotators (Actual Production)	
101B	7017159		Bearing Kit for 0060075 & 0060074 Rotators (Recommended Replacement)	
102	7017142	1	Hardware Kit (Includes Items 6, 18 & 21)	

FIGURE 3-4. ROTATOR ASSEMBLIES (FRONT ENTRY PLATFORM) (CONTINUED)

ITEM #	PART NUMBER	QTY.	DESCRIPTION	REV.

SECTION 3 BOOM

FIGURE 3-5. ROTATOR ASSEMBLIES (SIDE ENTRY PLATFORM)

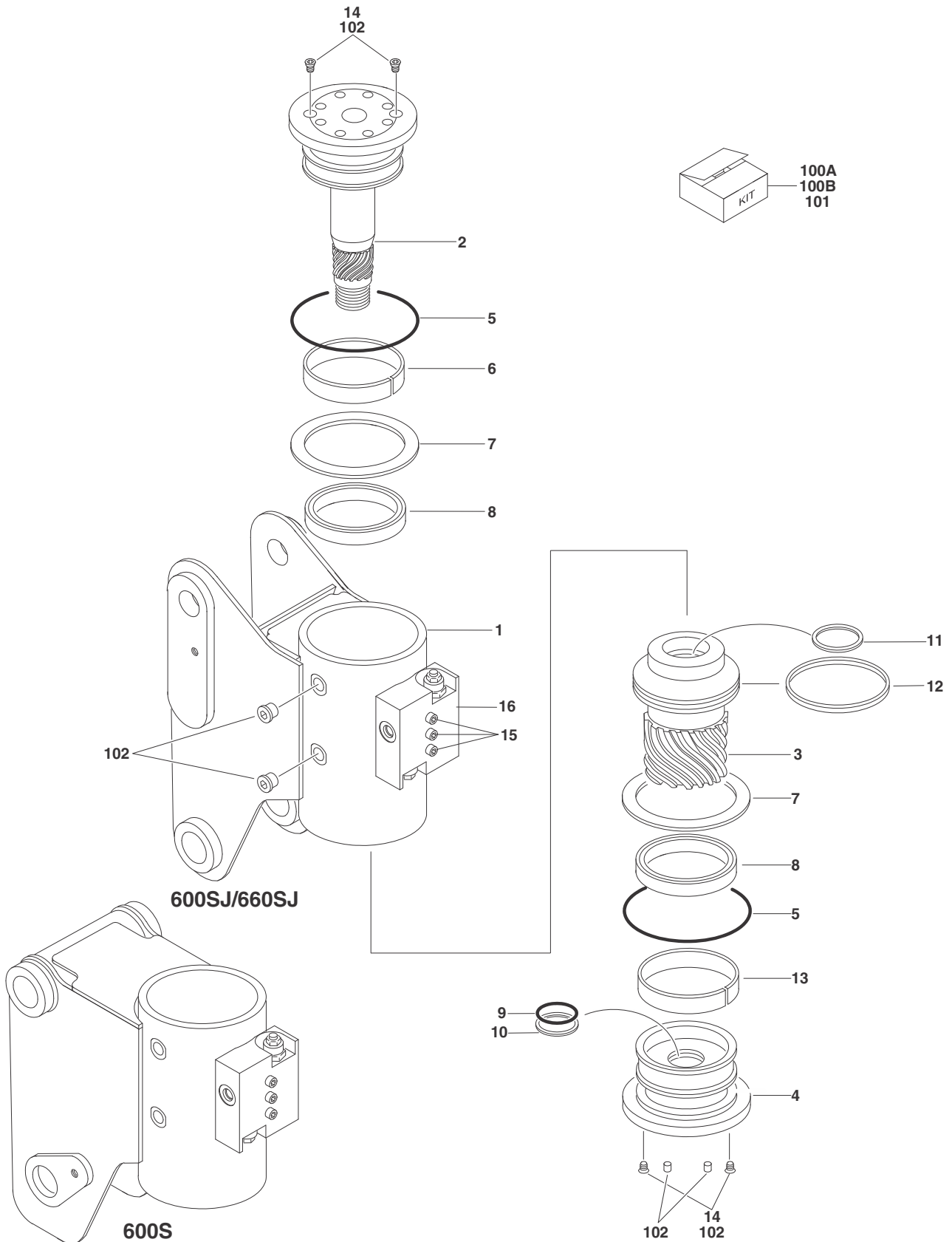


FIGURE 3-5. ROTATOR ASSEMBLIES (SIDE ENTRY PLATFORM)

ITEM #	PART NUMBER	QTY.	DESCRIPTION	REV.
		Ref	ROTATOR ASSEMBLIES	
	0060067	Ref	600S	A
	0060066	Ref	600SJ & 660SJ	A
1	See Note	1	Housing/Ring Gear Assembly (Note: Not Available - Purchase Complete Rotator Assembly.)	
2	7017162	1	Shaft Weldment	
	7017195	2	Bushing, Shaft	
3	7017163	1	Piston/Sleeve Assembly	
4	7017164	1	Cap, End	
5	See Note	2	O-Ring (Note: Use Item 100A or 100B)	
6	Use 7017159	2	Bearing, Shaft	
7	Use 7017159	1	Thrustwasher	
8	See Note	2	Packing, Bearing (Note: Use Item 100A or 100B)	
9	See Note	2	Seal, Cap (Note: Use Item 100A or 100B)	
10	See Note	1	Ring, Back-Up Cap (Note: Use Item 100A or 100B)	
11	See Note	1	Seal, Rod (Note: Use Item 100A or 100B)	
12	See Note	1	Seal, Piston (Note: Use Item 100A or 100B)	
13	Use 7017159	1	Bearing, Cap	
14	70001697	4	Screw, Countersunk 1/4in-20NC x 3/8in (Grade 8)	
15	See Note	3	Cap screw 1/4in-20NC (Grade 8) (Note: Not Available for Purchase.)	
16	7017183	1	Valve Assembly	
	7017193	2	Cartridge, Valve	
	See Note	2	Seal Kit - 7017193 Valve (Note: Not Available for Purchase.)	
	See Note	1	Cartridge, Valve (Not Shown - Located on Side of Block) (Note: Not Available for Purchase.)	
	See Note	1	Seal Kit - Valve Located on Side of Block (Note: Not Available for Purchase.)	
		Ref	KIT OPTIONS	
100		1	Seal Kit Options (Includes Items 5, 8 - 12):	
100A	7017158		Seal Kit - Standard	
100B	70000342		Seal Kit - Low Temperature	
101	7017159	1	Bearing Kit (Includes Items 6, 7 & 13)	
102	See Note	1	Hardware Kit (Includes Items 14, 2 Setscrews & 2 Plugs) (Note: Not Available - Purchase Individual Pieces.)	

SECTION 3 BOOM

FIGURE 3-6. POWER TRACK INSTALLATIONS

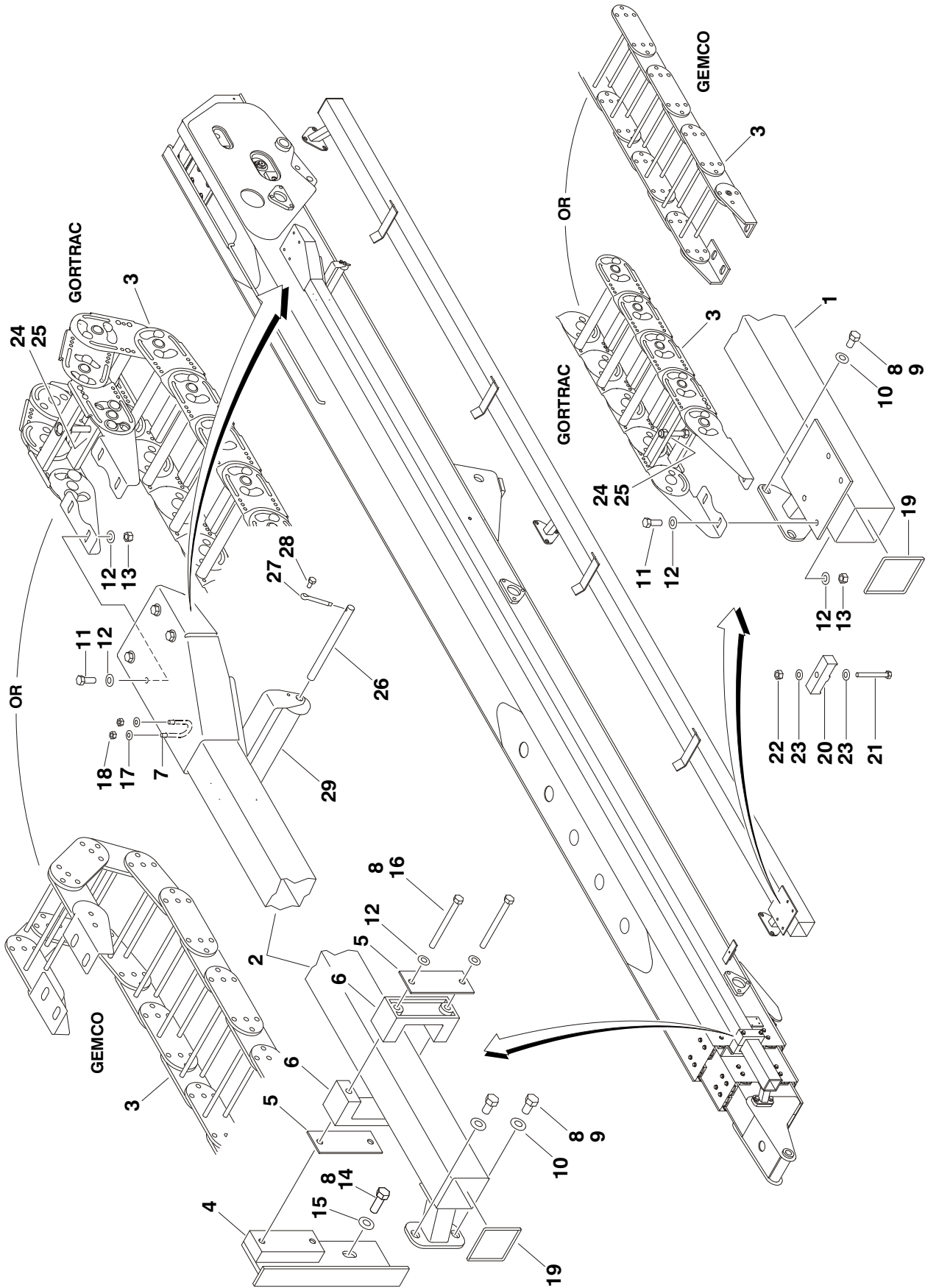


FIGURE 3-6. POWER TRACK INSTALLATIONS

ITEM #	PART NUMBER	QTY.	DESCRIPTION	REV.
		Ref	POWER TRACK INSTALLATIONS	
	0271372	Ref	600SJ	3
	0270804	Ref	600S/660SJ	4
1		1	Rail Options:	
	4845819		600S/660SJ	
	4846392		600SJ	
2		1	Tube Options:	
	4845671		600S/660SJ	
	4846391		600SJ	
3		1	Power Track Assembly Options:	
		Ref	Note: Various Power Tracks use on this model. Identify brand before ordering parts.	
	Use 1001099832		600S/660SJ Power Track Assembly	
	7016530	AR	Gemco Brand Power Track (was p/n 1180345)	
			Power Track - 8in Section (Includes 18 Link Pin, 4 Radius Links, 2 Carrier Links, 1 Rod Carrier, 1 Spring Loaded Rod, 1 Carrier Weldment & 12 Bearing Plates)	
	7006138	1	Power Track - Pin Kit (Includes 1 pin, 1 Retaining Ring & 4 Washers)	
	1001099832		Gortrac Brand Power Track	
	70002005	AR	Power Track - 1 Section Repair Kit	
	70002006	1	Power Track - Bracket Kit	
	Use 1001099839		600SJ Power Track Assembly	
	7016530	AR	Gemco Brand Power Track (was p/n 1180359)	
			Power Track - 8in Section (Includes 18 Link Pin, 4 Radius Links, 2 Carrier Links, 1 Rod Carrier, 1 Spring Loaded Rod, 1 Carrier Weldment & 12 Bearing Plates)	
	7006138	1	Power Track - Pin Kit (Includes 1 pin, 1 Retaining Ring & 4 Washers)	
	1001099839		Gortrac Brand Power Track	
	70002007	AR	Power Track - 1 Section Repair Kit	
	70002006	1	Power Track - Bracket Kit	
4	4845677	1	Bracket (SN 0300068000 to SN 0300073986)	
5	3538758	AR	Plate	
6	3340764	2	Pad, Wear	
7	0630458	1	U-Bolt	
8	0100011	AR	Compound, Locking	
9	0641807	11	Bolt 1/2in-13NC x 7/8in	
10	4711800	11	Flatwasher 1/2in Thin	
11	0641608	8	Bolt 3/8in-16NC x 1in	
12	4711600	18	Flatwasher 3/8in Thin	
13	3311605	8	Locknut 3/8in-16NC	
14	0642612	1	Bolt 1in-8NC x 1-1/2in (SN 0300068000 to SN 0300073986)	
15	4712600	1	Flatwasher 1in Thin (SN 0300068000 to SN 0300073986)	
16	0641648	2	Bolt 3/8in-16NC x 6in (SN 0300068000 to SN 0300073986)	
17	4711400	2	Flatwasher 1/4in Thin	
18	3311405	2	Locknut 1/4in-20NC	
19	4060803	3ft/0.9m	Shield, Trim	
20	1320247	1	Clamp, Nylon	

SECTION 3 BOOM

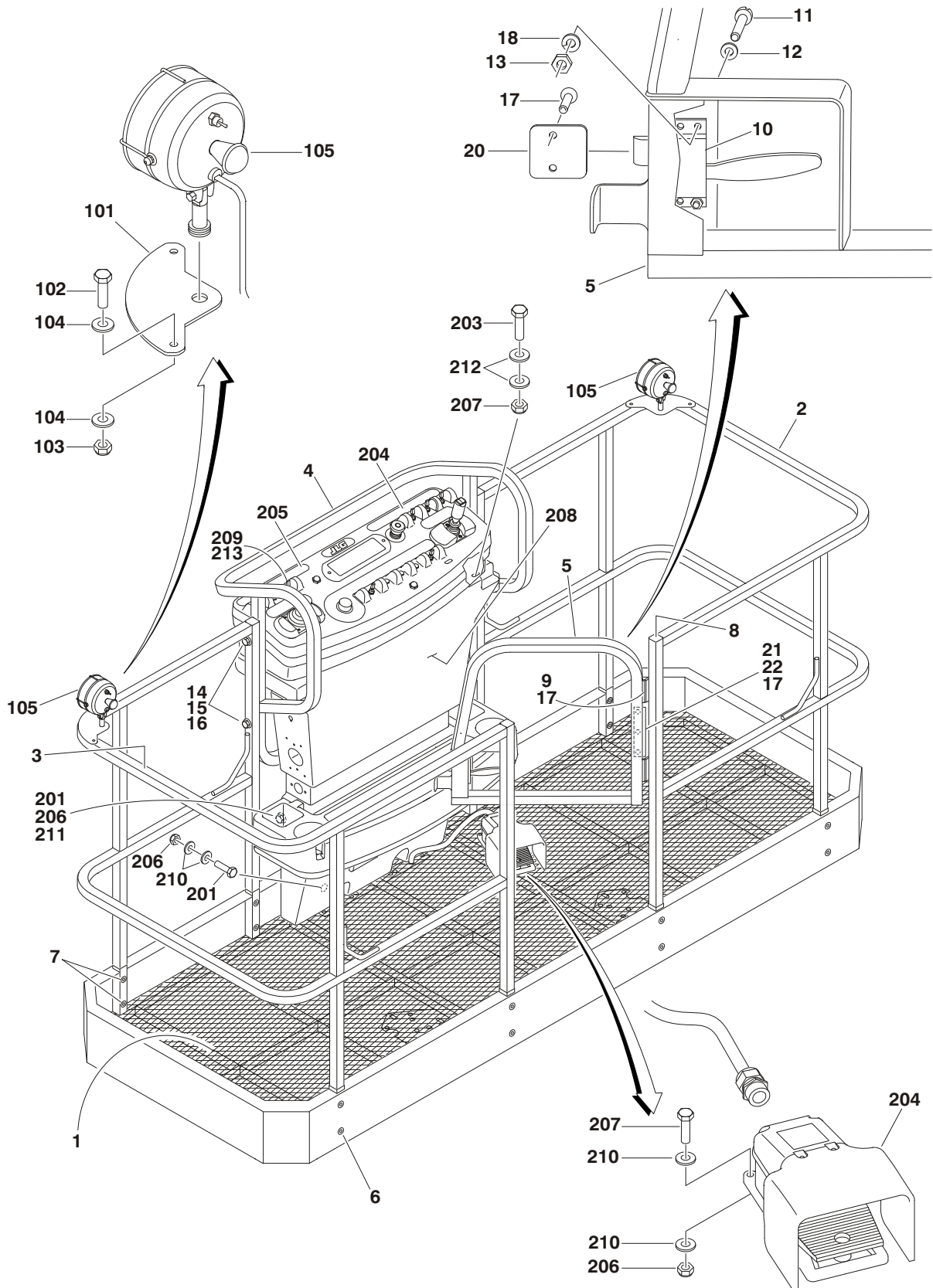
FIGURE 3-6. POWER TRACK INSTALLATIONS (CONTINUED)

ITEM #	PART NUMBER	QTY.	DESCRIPTION	REV.
21	0641522	1	Bolt 5/16in-18NC x 2-3/4in	
22	3311505	1	Locknut 5/16in-18NC	
23	4711500	2	Flatwasher 5/16in Thin	
24	4070994	2	Shim	
25	4070995	2	Shim	
26	3841013	1	Roller, Rod	
27	3450806	1	Pin, Cotter	
28	0641404	1	Bolt 1/4in-20NC x 1/2in	
29	3860050	1	Roller	

SECTION 4 PLATFORM

SECTION 4 PLATFORM

FIGURE 4-1. PLATFORM COMPONENTS INSTALLATION (FRONT ENTRY PLATFORM)



SECTION 4 PLATFORM

FIGURE 4-1. PLATFORM COMPONENTS INSTALLATION (FRONT ENTRY PLATFORM)

ITEM #	PART NUMBER	QTY.	DESCRIPTION	REV.
		Ref	PLATFORM ASSEMBLIES:	
	3510760	Ref	4ft (1.2m) With Self-Closing Gate	3
	3510728	Ref	5ft (1.52m) With Self-Closing Gate	3
	3510497	Ref	6ft (1.83m) Standard	7
	3510542	Ref	6ft (1.83m) With Self-Closing Gate	3
	3510545	Ref	6ft (1.83m) With Mesh to Top Rail & Standard Gate	—
	3510565	Ref	6ft (1.83m) With Mesh to Top Rail & Self-Closing Gate	3
	3510488	Ref	8ft (2.44m) Standard	7
	3510543	Ref	8ft (2.44m) With Self-Closing Gate	3
	3510546	Ref	8ft (2.44m) With Mesh to Top Rail & Standard Gate	—
	3510566	Ref	8ft (2.44m) With Mesh to Top Rail & Self-Closing Gate	4
1		1	Floor Weldment Options:	
	4846253		4ft Platform	
	4846101		5ft Platform	
	4844954		6ft Platform	
	4844928		8ft Platform	
2		1	Rail Weldment - Right Side Options:	
	4846254		4ft Platform Standard	
	4846102		5ft Platform Standard	
	4844955		6ft Platform Standard	
	4845408		6ft Platform with Mesh Top Rail	
	4844924		8ft Platform Standard	
	4845412		8ft Platform with Mesh Top Rail	
3		1	Rail Weldment - Left Side Options:	
	4846255		4ft Platform Standard	
	4846103		5ft Platform Standard	
	4844956		6ft Platform Standard	
	4845409		6ft Platform with Mesh Top Rail	
	4844925		8ft Platform Standard	
	4845413		8ft Platform with Mesh Top Rail	
4	4845328	1	Rail Weldment - Back	
5		1	Gate Weldment Options:	
	4845327		Standard Gate	
	4845410		Standard Gate with Mesh Top Rail	
	4845426		Self-Closing Gate	
	4845469		Self-Closing Gate with Mesh Top Rail	
6	3900207	AR	Fastener	
		Ref	(Note: P/N 3900207 Fastener may be replaced with P/N 0641416 Bolt, P/N 4751400 Flatwasher, P/N 3311405 Locknut and P/N3300151 Acorn Type Nut. Acorn type nut is required to meet industry safety requirements.	
7	3300393	AR	Collar	
8	3520072	AR	Plug, Cap	
9		2	Hinge Options:	
	2600216		Standard Gate	
	2600287		Self-Closing Gate	
10	2940074	1	Latch	
11	3911008	4	Screw #10-24NC x 1/2in	

SECTION 4 PLATFORM

FIGURE 4-1. PLATFORM COMPONENTS INSTALLATION (FRONT ENTRY PLATFORM)

ITEM #	PART NUMBER	QTY.	DESCRIPTION	REV.
12	4751000	4	Flatwasher #10 Regular	
13	3311005	4	Locknut #10-24NC	
14	0641524	4	Bolt 5/16in-18NC x 3in	
15	3311505	4	Locknut 5/16in-18NC	
16	4751500	4	Flatwasher 5/16in Regular	
17	2080040	13	Fastener	
18	4761000	4	Lockwasher #10	
19	Not Used			
20	3539685	1	Plate, Latch	
21		1	Stop, Gate Options:	
	4220165		Standard Gate	
	4220165		Self-Closing Gate	
22	4060803	6ft/1.8m	Trim	
		Ref	WORKLIGHTS INSTALLATIONS (OPTIONAL)	
	0270814	Ref	SN 0300068000 to SN 0300074441	3/D
	0273486	Ref	600S - SN 0300074441 to SN 0300087000	C
	0273490	Ref	600SJ - SN 0300074441 to SN 0300087000	C
	0273491	Ref	660SJ - SN 0300074441 to SN 0300087000	C
101	3536089	2	Plate, Mounting	
102	0641414	4	Bolt 1/4in-20NC x 1-3/4in	
103	3311405	4	Locknut 1/4in-20NC	
104	4711400	8	Flatwasher 1/4in Thin	
105	2920140	2	Worklight	
	7016399	2	Bulb, Replacement (1 Per Worklight)	
106	4240099	10	Tie-Strap (Not Shown)	
107	2820035	9	Loom, Vinyl (Not Shown)	
108	Not Used			
109		1	Connector, Strain Relief Options (Not Shown - Located on Bottom of Console Box):	
	4460598		SN 0300068000 to SN 0300074441	
	4460426		SN 0300074441 to SN 0300087000	
110	4920018	AR	Wire, Black 16 Ga (Not Shown - SN 0300068000 to SN 0300074441)	
		Ref	CONSOLE BOX INSTALLATIONS	
	0272298	Ref	2WD	A
	0271940	Ref	4WD	A
201	0641406	4	Bolt 1/4in-20NC x 3/4in	
202	0641408	3	Bolt 1/4in-20NC x 1in	
203	0641610	4	Bolt 3/8in-16NC x 1-1/4in	
204		1	Console Box & Footswitch Assembly (See PLATFORM CONSOLE ASSEMBLY for Breakdown)	
205	1702676	1	Decal - Horn	
206	3311405	7	Locknut 1/4in-20NC	
207	3311605	4	Locknut 3/8in-16NC	
208	3380434	1	Panel, Decal Mount	

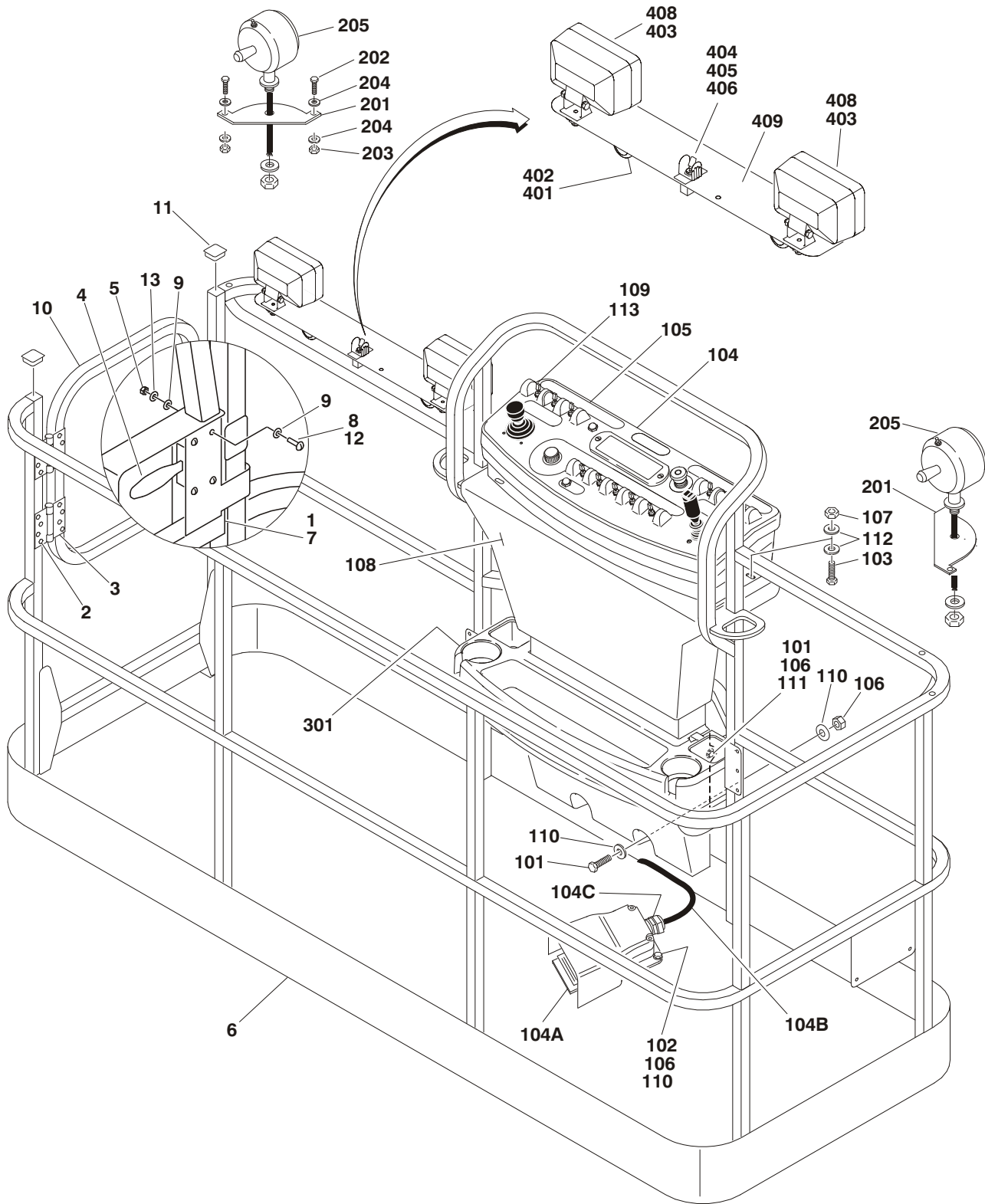
SECTION 4 PLATFORM

FIGURE 4-1. PLATFORM COMPONENTS INSTALLATION (FRONT ENTRY PLATFORM)

ITEM #	PART NUMBER	QTY.	DESCRIPTION	REV.
209	4360336	1	Switch Options:	
	4360331		Switch (2WD)	
			Switch (4WD)	
210	4740362	7	Flatwasher 1/4in Fender	
211	4751400	4	Flatwasher 1/4in Regular	
212	4751600	8	Flatwasher 3/8in Regular	
213	3790012	1	O-Ring	

SECTION 4 PLATFORM

FIGURE 4-2. PLATFORM COMPONENTS INSTALLATION (SIDE ENTRY PLATFORM)



SECTION 4 PLATFORM

FIGURE 4-2. PLATFORM COMPONENTS INSTALLATION (SIDE ENTRY PLATFORM)

ITEM #	PART NUMBER	QTY.	DESCRIPTION	REV.
		Ref	PLATFORM ASSEMBLIES:	
	Use 1001144027	Ref	4ft (1.22m) with No Mesh (SN 0300068809 to SN 0300087000) (was p/n 3510830)	B/E
	Use 1001144026	Ref	5ft (1.52m) with No Mesh (SN 0300068809 to SN 0300087000) (was p/n 3510831)	B/E
	Use 1001144024	Ref	6ft (1.83m) with No Mesh (SN 0300068809 to SN 0300087000) (was p/n 3510833)	B/E
	Use 1001144025	Ref	6ft (1.83m) with No Mesh (was p/n 3510832)	B/E
	Use 1001144023	Ref	8ft (2.44m) with No Mesh (was p/n 3510822)	B/E
		Ref	Note: Original Equipment platform may have been replaced with Service Replacement platform. Identify platform before ordering parts.	
		Ref	Note: When replacing 8ft/2.44m platform with Soft Touch option, new Soft Touch Rail p/n 4846673 must be purchased to accommodate limit switch locations.	
		Ref	Note: When replacing platform on machines with SkyCutter option, new bracket p/n 1001145405 must be purchased to accommodate SkyCutter components.	
1	0100040	AR	Sealant, Adhesive (SN 0300068000 to SN 0300073444)	
2	2080040	16	Fastener, Huck	
3	2600281	2	Hinge, Self-Closing	
4	2940074	1	Latch	
5	3311001	4	Nut #10-24NC (SN 0300068000 to SN 0300077333)	
6	See Note	1	Platform Weldment (Note: Purchase Complete Platform Assembly.)	
7	3520072	1	Cap-Plug	
8		4	Hardware Options:	
	3911008		Screw #10-24NC x 1in (SN 0300068000 to SN 0300077333)	
	3820020		Pop Rivet (SN 0300077333 to SN 0300087000)	
9	4751000	AR	Flatwasher #10 Regular (SN 0300068000 to SN 0300077333)	
10		1	Gate Weldment Options:	
	4846452		Gate for Original Equipment Platform p/n 3510830, 3510831, 3510832, 3510833, 3510822	
	1001144629		Gate for Service Replacement Platform p/ns 1001144023, 1001144024, 1001144025, 1001144026, 1001144027	
11	3520198	2	Plug, Square	
12	0100011	AR	Compound, Locking (SN 0300073444 to SN 0300077333)	
13	4761000	4	Lockwasher #10 (SN 0300073444 to SN 0300077333)	
		Ref	CONSOLE BOX INSTALLATIONS	
	0272298	Ref	2WD (SN 0300068000 to SN 0300069777)	A
	0271940	Ref	2WD/4WD	A
101	0641406	4	Bolt 1/4in-20NC x 3/4in	
102	0641408	3	Bolt 1/4in-20NC x 1in	
103	0641610	4	Bolt 3/8in-16NC x 1-1/4in	
104		1	Platform Console Box Assembly (See PLATFORM CONSOLE ASSEMBLY for Breakdown)	

SECTION 4 PLATFORM

FIGURE 4-2. PLATFORM COMPONENTS INSTALLATION (SIDE ENTRY PLATFORM)

ITEM #	PART NUMBER	QTY.	DESCRIPTION	REV.
104A	Use 0272970	1	Footswitch Assembly (Includes Footswitch & Items 104B & 104C)	
		Ref	Note: Assembly p/n 0272970 may use either p/n 4360031 or p/n 1001117320. If Original Equipment was replaced as an "assembly," p/n 1001117320 may have been used as part of the Service Replacement. Identify component before ordering parts.	
		1	Footswitch Less Cable Options:	
	4360031		Original Equipment	
	1001117320		Service Replacement	
		AR	Block, Contact Options (see Note Above):	
	7000625	2	Contact Block for 4360031 Footswitch	
	70003483	1	Contact Block for 1001117320 Footswitch	
104B	1060918	7ft/2.14m	Cable, Electrical - 18/3	
104C	4460071	1	Connector, Strain Relief	
105	1702676	1	Decal - Horn	
106	3311405	7	Locknut 1/4in-20NC	
107	3311605	4	Locknut 3/8in-16NC	
108	3380434	1	Panel, Decal Mount	
109		1	Switch Options:	
	4360336		Switch (2WD)	
	4360331		Switch (4WD)	
110	4740362	7	Flatwasher 1/4in Fender	
111	4751400	4	Flatwasher 1/4in Regular	
112	4751600	8	Flatwasher 3/8in Regular	
113	3790012	1	O-Ring	
		Ref	WORKLIGHTS INSTALLATIONS (OPTIONAL)	
	0270814	Ref	SN 0300068000 to SN 0300074441	3/E
	0273486	Ref	600S - SN 0300074441 to SN 0300087000	C
	0273490	Ref	600SJ - SN 0300074441 to SN 0300087000	C
	0273491	Ref	660SJ - SN 0300074441 to SN 0300087000	C
201	3536089	2	Plate, Mounting	
202	0641414	4	Bolt 1/4in-20NC x 1-3/4in	
203	3311405	4	Locknut 1/4in-20NC	
204	4711400	8	Flatwasher 1/4in Thin	
205	2920140	2	Worklight	
	7016399	2	Bulb, Replacement (1 Per Worklight)	
206	4240099	10	Tie-Strap (Not Shown)	
207	2820035	9	Loom, Vinyl (Not Shown)	
208	Not Used			
209		1	Connector, Strain Relief Options (Not Shown - Located at Console Box):	
	4460598		SN 0300068000 to SN 0300074441	
	4460426		SN 0300074441 to SN 0300087000	

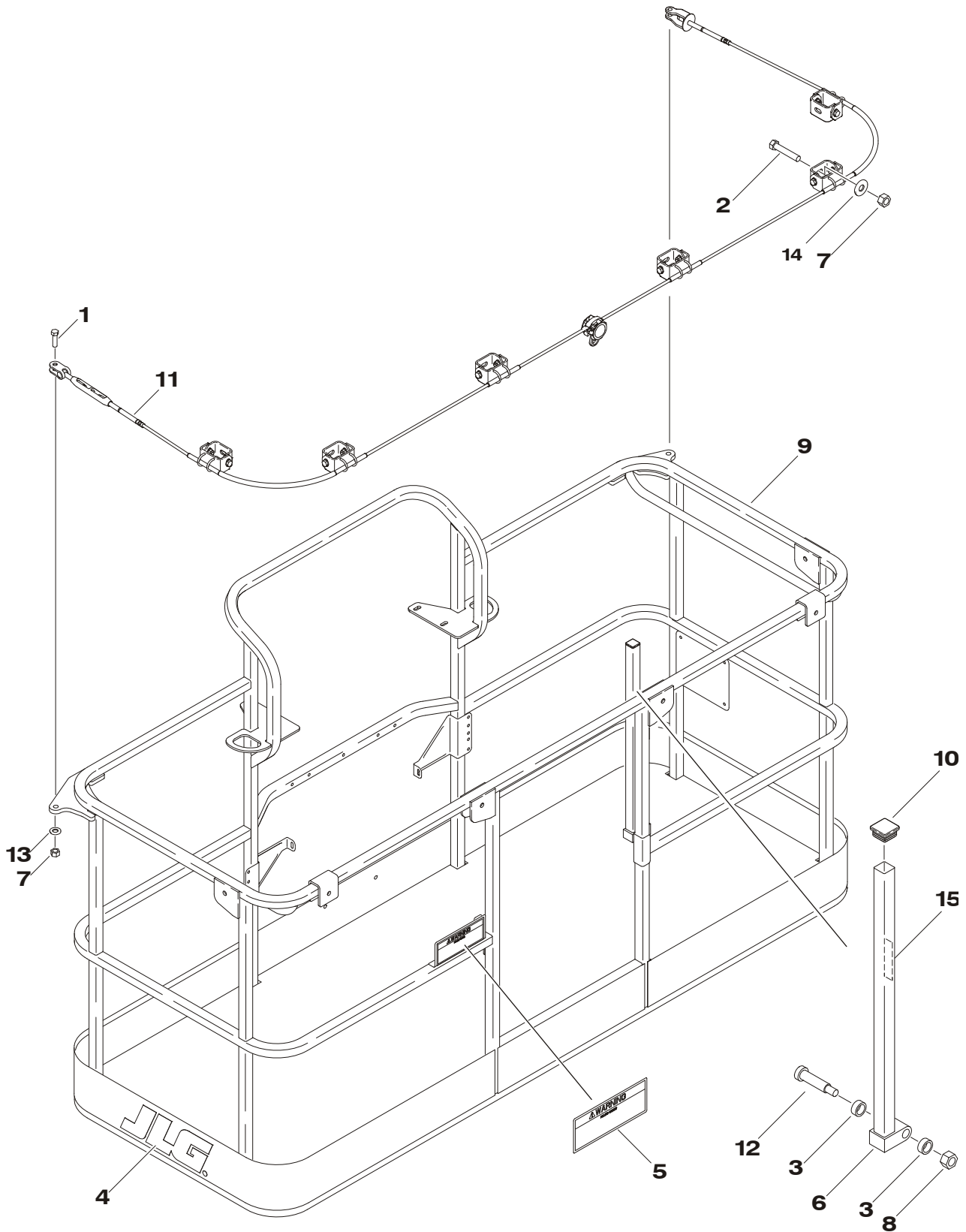
SECTION 4 PLATFORM

FIGURE 4-2. PLATFORM COMPONENTS INSTALLATION (SIDE ENTRY PLATFORM)

ITEM #	PART NUMBER	QTY.	DESCRIPTION	REV.
		Ref	TRAY INSTALLATIONS (OPTIONAL)	
301	1580012	1	Tray, Storage (Center)	
302	1580013	1	Tray, Storage (Rail Mounted - Not Shown)	
	0274209	Ref	FLOODLIGHT INSTALLATION	A
401	0641518	2	Bolt 5/16in-18NC x 2-1/4in	
402	2560173	2	Handle	
403	2920157	2	Lamp, Work Light	
404	3250585	1	Nameplate - Light On	
405	4060802	1	Guard, Switch	
406	4360336	1	Switch, Toggle	
407	4420037	1	Tape, Insulation (Not Shown)	
408	4751800	2	Flatwasher 1/2in Regular	
409	4846561	1	Mount, Light	
410	4922888	1	Harness 12/3 (Not Shown)	

SECTION 4 PLATFORM

FIGURE 4-3. PLATFORM COMPONENTS INSTALLATION (FALL ARREST PLATFORM)



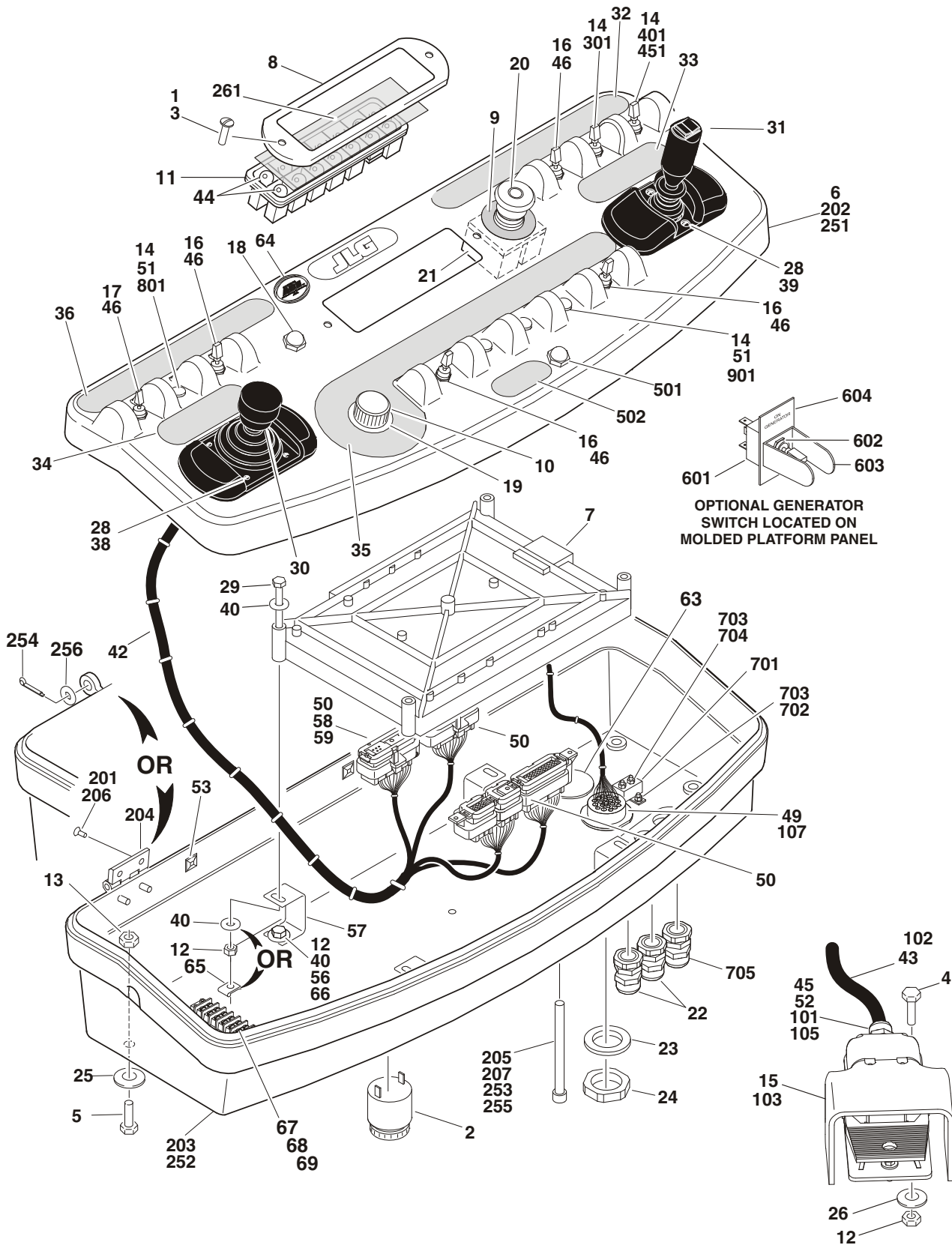
SECTION 4 PLATFORM

FIGURE 4-3. PLATFORM COMPONENTS INSTALLATION (FALL ARREST PLATFORM)

ITEM #	PART NUMBER	QTY.	DESCRIPTION	REV.
	3510868	Ref	PLATFORM ASSEMBLY (FALL ARREST)	B
1	0681814	2	Bolt 1/2in-13NC x 1-3/4in (Grade 8)	
2	0681822	6	Bolt 1/2in-13NC x 2-3/4in (Grade 8)	
3	0962270	2	Bearing, Oilite	
4	1702773	1	Decal - JLG	
5	1705014	1	Decal - Safety	
6	2410014	1	Gate Weldment	
7	3271805	8	Locknut 1/2in-13NC (Grade 8)	
8	3311605	1	Locknut 3/8in-16NC	
9	See Note	1	Platform Weldment (Purchase Platform Assembly) (Note: Purchase Complete Platform Assembly.)	
10	3520072	1	Cap-Plug	
11	3890040	1	Cable, Fall Arrest	
12	3900054	1	Bolt 1/2in-13NC x 1-3/4in	
13	4711800	2	Flatwasher 1/2in Thin	
14	4751800	6	Flatwasher 1/2in Regular	
15	1706385	1	Decal - Drop Bar (SN 0300085919 to SN 0300087000)	

SECTION 4 PLATFORM

FIGURE 4-4. PLATFORM CONSOLE ASSEMBLY



SECTION 4 PLATFORM

FIGURE 4-4. PLATFORM CONSOLE ASSEMBLY

ITEM #	PART NUMBER	QTY.	DESCRIPTION	REV.
		Ref	CONSOLE BOX & FOOTSWITCH ASSEMBLIES	
	See Note	Ref	SN 0300068000 to SN 0300068965 (Note: See Item 6 Note)	
		Ref	Note: No exact SN break exists. SN 0300068000 to SN 0300068965 may use either p/n 0861477 or p/n 0861511	
	0861511	Ref	SN 0300068965 to SN 0300087000	F
1	0100035	AR	Compound, Locking	
2	0140011	1	Alarm	
3	0630464	AR	Screw, Button Head #10-24NC x 1/2in	
4	0641408	3	Bolt 1/4in-20NC x 1in	
5	0641610	AR	Bolt 3/8in-16NC x 1-1/4in	
6		1	Box, Console Options:	
		Ref	Note: No exact SN break exists. SN 0300068000 to SN 0300068965 may use either box.	
	0861414		Box, Console - Aluminum (See Items 201- 208 for Breakdown)	
	0861537		Box, Console - Die Cast (See Items 251- 256 for Breakdown)	
7		1	Controller, Module (Re-calibration Required when Replaced) Options: Deutz Engine: SN 0300068000 to SN 0300077490 SN 0300077490 to SN 0300087000 Ford Engine	
8	1600313			
	1600375			
	1600313			
9	1670829	1	Bezel	
10	1704260	1	Decal - EMS	
11	2560136	1	Handle, Knob	
12	2760105	1	Housing, Display Light	
13	3311405	11	Locknut 1/4in-20NC	
14	3311605	4	Locknut 3/8in-16NC	
		6	Plug, Hole 1/2in Options: SN 0300068000 to SN 0300077483 SN 0300077483 to SN 0300087000	
15	3520028			
	3520054			
16	See Note	1	Footswitch Assembly (Note: See Items 101-107 for Breakdown)	
17	4360328	4	Switch, Toggle	
18	4360331	1	Switch, Toggle	
19	4360387	1	Switch, Pushbutton	
20	4360407	1	Controller, Speed	
	See Note	1	Gasket "Top Hat" (Included with Switch) (Note: Not Available - Purchase Complete Controller.)	
	70003784	1	Seal	
21	4360475	1	Switch, Emergency Stop	
	7020175	1	Cap, Red	
	7020176	1	Contact Block	
22	4360476	1	Block, Contact	
23	4460428	2	Connector, Strain Relief	
24	4460471	1	Lockwasher, Terminal	
25	4460470	1	Nut, Terminal	
	4751600	4	Flatwasher 3/8in Regular	

SECTION 4 PLATFORM

FIGURE 4-4. PLATFORM CONSOLE ASSEMBLY (CONTINUED)

ITEM #	PART NUMBER	QTY.	DESCRIPTION	REV.
26	4740362	AR	Flatwasher 1/4in Fender	
27	Not Used			
28	0641404	8	Bolt 1/4in-20NC x 1/2in	
29		4	Bolt Options:	
	0641416		Bolt 1/4in-20NC x 2in (SN 0300068000 to SN 0300077490)	
	0641414		Bolt 1/4in-20NC x 1-3/4in (SN 0300077490 to SN 0300087000)	
30	Use 1001129555	1	Controller Assembly (Lift & Swing) (See CONTROLLER ASSEMBLY (LIFT & SWING) for Breakdown) (was p/n 1600317 & 1001118417)	
31	Use 1001118416	1	Controller Assembly (Drive & Steer) (See CONTROLLER ASSEMBLY (DRIVE & STEER) for Breakdown) (was p/n 1600318)	
32		1	Decal (Stop) Options:	
	1702564		SN 0300068000 to SN 0300072392	
	1704997		SN 0300072392 to SN 0300087000	
33	1702565	1	Decal (Drive and Steer)	
34	1702566	1	Decal (Lift and Swing)	
35	1702567	1	Decal (Function Speed)	
36	1702676	1	Decal (Horn)	
37	Not Used			
38	4340678	1	Support, Hand	
39	4340684	1	Support, Hand	
40	4751400	16	Flatwasher 1/4in Regular	
41	4922666	1	Harness, Analyzer Cable (Not Shown)	
	4460871	4	Terminal, Socket	
	4460761	1	Housing - 4 Position	
	4460227	4	Pin	
42	4922639	1	Harness, Platform Box	
43	1060918	7ft/2.1m	Cable, 18/3	
44	2920129	12	Bulb, Light	
45	4460071	1	Connector, Strain Relief	
46	3790012	5	O-Ring	
47 to 48	Not Used			
49	4460464	1	Terminal, Deutsch	
50		2	Terminal, Socket	
	See Note		SN 0300068000 to SN 0300068965 (Note: See Item 6 Note)	
	4460226		SN 0300068965 to SN 0300087000	
51	0100009	AR	Sealant	
52	0100020	AR	Loctite #567	
53	4460488	1	Terminal, Mounting Base	
54	4460234	AR	Wire Tie (Not Shown)	
55	Not Used			
56	0641404	4	Bolt 1/4in-20NC x 1/2in	
57	0902751	4	Bracket, Card Support	
58	4460905	5	Connector, Amp Seal Plug	
59	0100048	AR	Grease, Dielectric	
60	4460226	2	Socket, Female (Not Shown - Used with Footswitch) (See ELECTRICAL SECTION for Location)	

SECTION 4 PLATFORM

FIGURE 4-4. PLATFORM CONSOLE ASSEMBLY (CONTINUED)

ITEM #	PART NUMBER	QTY.	DESCRIPTION	REV.
61	4460708	2	Connector, Female - 15 Position (Not Shown - See ELECTRICAL SECTION for Location)	
62	4460905	5	Seal, Plug (Not Shown - Used with Footswitch) (See ELECTRICAL SECTION for Location)	
63	1671037	1	Cover	
64	1705132	1	Decal - ADE	
65	3300353	4	Nut, Tinnerman	
66	0100081	AR	Loctite #454	
67	0721008	1	Bolt #10-24NC x 1in (SN 0300071160 to SN 0300087000)	
68	3311001	1	Nut #10-24NC (SN 0300071160 to SN 0300087000)	
69	4460007	1	Bar, Buss (SN 0300071160 to SN 0300087000)	
	Use 1001119562	1	Decal Kit - Console Box (Includes Items 9 & 32-36) (was p/n 2910869)	
	0272970	Ref	FOOT SWITCH ASSEMBLY (Includes Items 102 & 105) Note: Assembly p/n 0272970 may use either p/n 4360031 or p/n 1001117320. If Original Equipment was replaced as an "assembly," p/n 1001117320 may have been used as part of the Service Replacement. Identify component before ordering parts.	A
		Ref		
101	0100020	AR	Pipe Sealant	
102	1060918	7ft/2.1m	Cable, 18/3	
103		1	Footswitch Less Cable Options:	
	4360031		Original Equipment	
	1001117320		Service Replacement	
		AR	Block, Contact Options (see Note Above):	
	7000625	2	Contact Block for 4360031 Footswitch	
	70003483	1	Contact Block for 1001117320 Footswitch	
104	Not Used			
105	4460071	1	Connector, Strain Relief	
106	4460226	2	Socket, Female (Not Shown - Used with Footswitch) (See ELECTRICAL SECTION for Location)	
107	4460464	1	Terminal, Deutsch	
	0861414	Ref	CONSOLE BOX ASSEMBLY See Note Under Item 6 for Usage.	C
201	0100011	AR	Compound, Locking	
202	See Note	1	Console Top (Note: Not Available - Purchase Complete Console Box Assembly.)	
203	See Note	1	Console Bottom (Note: Not Available - Purchase Complete Console Box Assembly.)	
204	2600211	2	Hinge	
205	3311601	1	Nut 3/8in-16NC	
206	3900224	8	Screw Countersunk	
207	3931672	1	Screw 3/8in-16NC x 4-1/2in	
208	3520174	3	Plug, Hole 3/16in (Not Shown) (Located on back of console box)	

SECTION 4 PLATFORM

FIGURE 4-4. PLATFORM CONSOLE ASSEMBLY (CONTINUED)

ITEM #	PART NUMBER	QTY.	DESCRIPTION	REV.
	0861537	Ref	CONSOLE BOX ASSEMBLY See Note Under Item 6 for Usage.	C
251	See Note	1	Console Top (Note: Not Available - Purchase Complete Console Box Assembly.)	
252	See Note	1	Console Bottom (Note: Not Available - Purchase Complete Console Box Assembly.)	
253	3311601	1	Nut 3/8in-16NC	
254	3420156	2	Pin, Cotter (was p/n 3450304)	
255	0630568	1	Screw 3/8in-16NC x 4-1/2in	
256	4711500	2	Flatwasher 5/16in Thin	
	0256631	Ref	LIGHT PANEL DECAL INSTALLATION	—
261	1702387	1	Decal - Display	
	0270764	Ref	DUAL FUEL SWITCH INSTALLATION	4
301	4360336	1	Switch, Toggle	
	3790012	1	O-Ring	
	0271552	Ref	HEAD & TAIL LIGHTS INSTALLATIONS (OPTIONAL)	2
401	4360336	1	Switch, Toggle	
	3790012	1	O-Ring	
	0274210	Ref	CHASSIS ILLUMINATION LIGHT INSTALLATION	1/A
451	4360336	1	Switch, Toggle	
	3790012	1	O-Ring	
		Ref	SOFT TOUCH SYSTEM INSTALLATION (OPTIONAL)	
	0273824	Ref	6FT PLATFORM	A
	0272427	Ref	8FT PLATFORM	C
501	4360387	1	Switch, Pushbutton	
502	1702938	1	Decal - Soft Touch Override	
		Ref	GENERATOR INSTALLATION (OPTIONAL)	
	0272480	Ref	110V DEUTZ	2
	0272481	Ref	220V DEUTZ	2
	0271545	Ref	110V FORD	4
	0271546	Ref	220V FORD	4
601	4360336	1	Switch, Toggle	
602	4740397	1	Bushing	
603	4060802	1	Guard, Switch	
604	3251102	1	Decal - Generator ON/OFF	

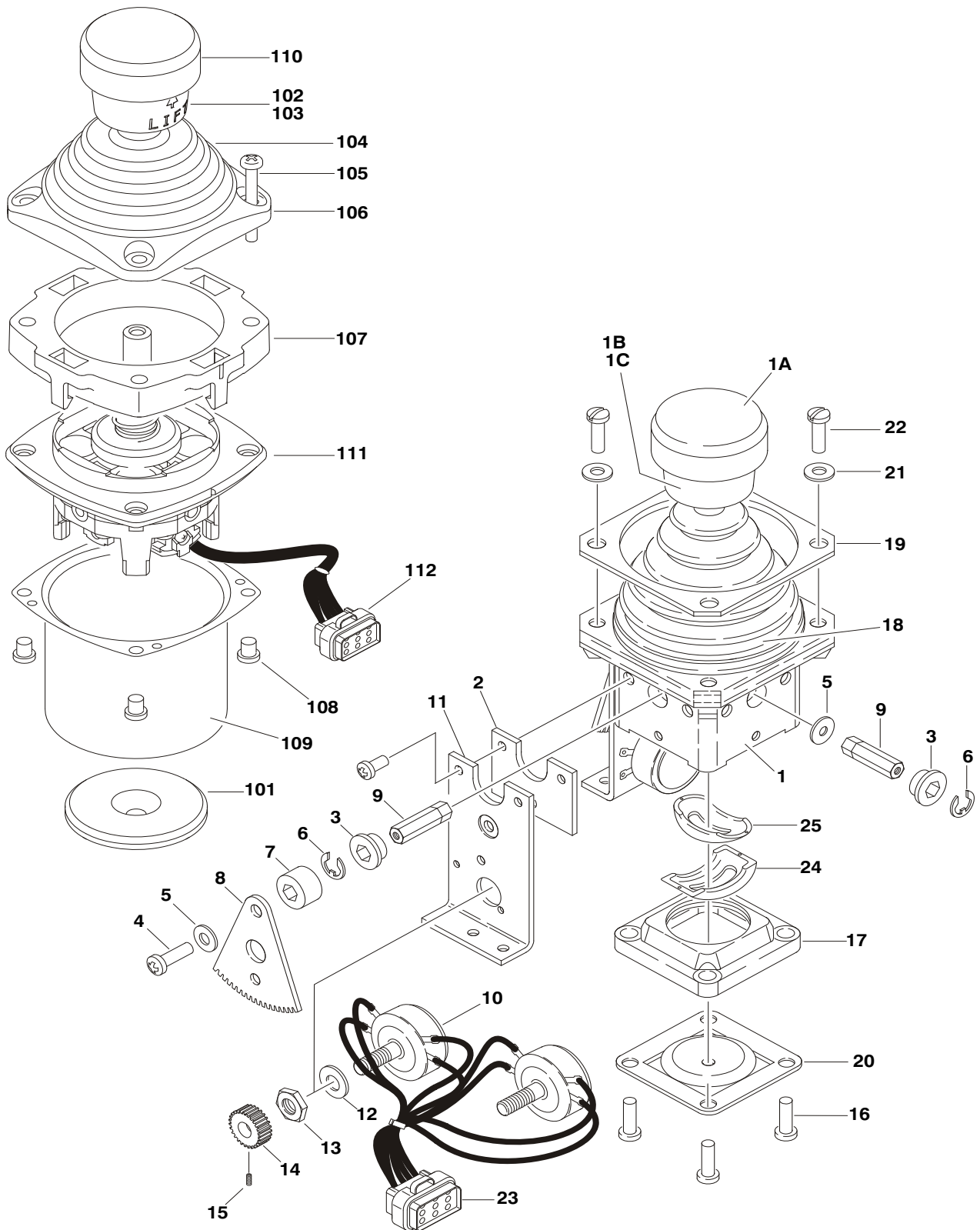
SECTION 4 PLATFORM

FIGURE 4-4. PLATFORM CONSOLE ASSEMBLY (CONTINUED)

ITEM #	PART NUMBER	QTY.	DESCRIPTION	REV.
		Ref	PLATFORM WORKLIGHT INSTALLATION (OPTIONAL)	
	0270814	Ref	SN 0300068000 to SN 0300074441	3/E
	0273486	Ref	600S - SN 0300074441 to SN 0300087000	C
	0273490	Ref	600SJ - SN 0300074441 to SN 0300087000	C
	0273491	Ref	660SJ - SN 0300074441 to SN 0300087000	C
701	4360232	1	Breaker, Circuit - 15Amp (SN 0300068000 to SN 0300074441)	
702	0721003	2	Bolt #10-24NC x 3/8in (SN 0300068000 to SN 0300074441)	
703	4761000	4	Lockwasher #10 (SN 0300068000 to SN 0300074441)	
704	3311001	2	Nut #10-24NC (SN 0300068000 to SN 0300074441)	
705		1	Connector, Strain Relief Options:	
	4460598		SN 0300068000 to SN 0300074421	
	4460426		SN 0300074421 to SN 0300087000	
		Ref	4WS COMPONENTS INSTALLATION	
801	4360331	1	Switch, Toggle	
	3790012	1	O-Ring	
		Ref	JIB SWITCH INSTALLATION (600SJ & 660SJ ONLY)	
901	4360328	1	Switch, Toggle	
	3790012	1	O-Ring	

SECTION 4 PLATFORM

FIGURE 4-5. CONTROLLER ASSEMBLY (LIFT AND SWING)



SECTION 4 PLATFORM

FIGURE 4-5. CONTROLLER ASSEMBLY (LIFT AND SWING)

ITEM #	PART NUMBER	QTY.	DESCRIPTION	REV.
		Ref	Note: Original Equipment controller may have been replaced with Service Replacement controller. Visually identify controller before ordering parts.	
		Ref	CONTROLLER ASSEMBLIES	
		Ref	Controller Assembly (Original Equipment)	B
1	7019141	1	Mechanical Assembly (Includes Base, Handle Stem & Items 1A, 1B, 1C & 18)	
1A	7019197	1	Handle Cap & Rod	
1B	7003928	1	Spring	
1C	7022808	1	Cap, Lift	
2	7019171	2	Plate	
3	7019111	4	Bearing, Gear	
4	7019143	2	Screw	
5	7019144	2	Spacer, Cam	
6	7019145	4	E-Clip	
7	7019174	2	Spacer	
8	7003977	2	Gear, Drive	
9		2	Shaft Options:	
	7019147		Shaft, Short	
	7019177		Shaft, Long	
10	7022818	2	Potentiometer	
11	7019142	2	Plate	
12	7003992	2	Washer	
13	7003993	2	Nut	
14	7003976	2	Gear, Slave	
15	7019149	2	Setscrew	
16	7022816	4	Screw	
17	7019150	1	Gate	
18	7022814	1	Boot	
19	7022815	1	Bezel	
20	Use 1001129555	1	Center, Detent (Note: Not Available for Purchase.)	
21	7003953	4	Washer	
22	7022817	4	Screw	
23	7022819	1	Plug, Male 8 Position (Natural)	
	4460871	8	Socket, Female	
24	7019122	1	Gimble, Outer	
25	7019123	1	Gimble, Inner	
	1001129555	Ref	Controller Assembly (Service Replacement)	A
		Ref	Note: Was p/n 1001118417 Assembly - Use p/n 1001129555 Kit as replacement.	
101	70002730	1	Gasket	
102	7003928	1	Spring	
103	7022808	1	Cap, Lift	
104	70002731	1	Boot	
105	70002732	4	Screw	
106	7022815	1	Bezel	
107	70002733	1	Adapter	

SECTION 4 PLATFORM

FIGURE 4-5. CONTROLLER ASSEMBLY (LIFT AND SWING) (CONTINUED)

ITEM #	PART NUMBER	QTY.	DESCRIPTION	REV.
108	70002734	4	Screw	
109	70002735	1	Can, Enclosure	
110	70002906	1	Cap	
111	Use 1001129555	1	Mechanical Assembly (Note: Not Available for Purchase.)	
112	7022819	1	Plug, Male 8 Position (Natural) (Not Shown)	
	4460871	6	Socket, Female	

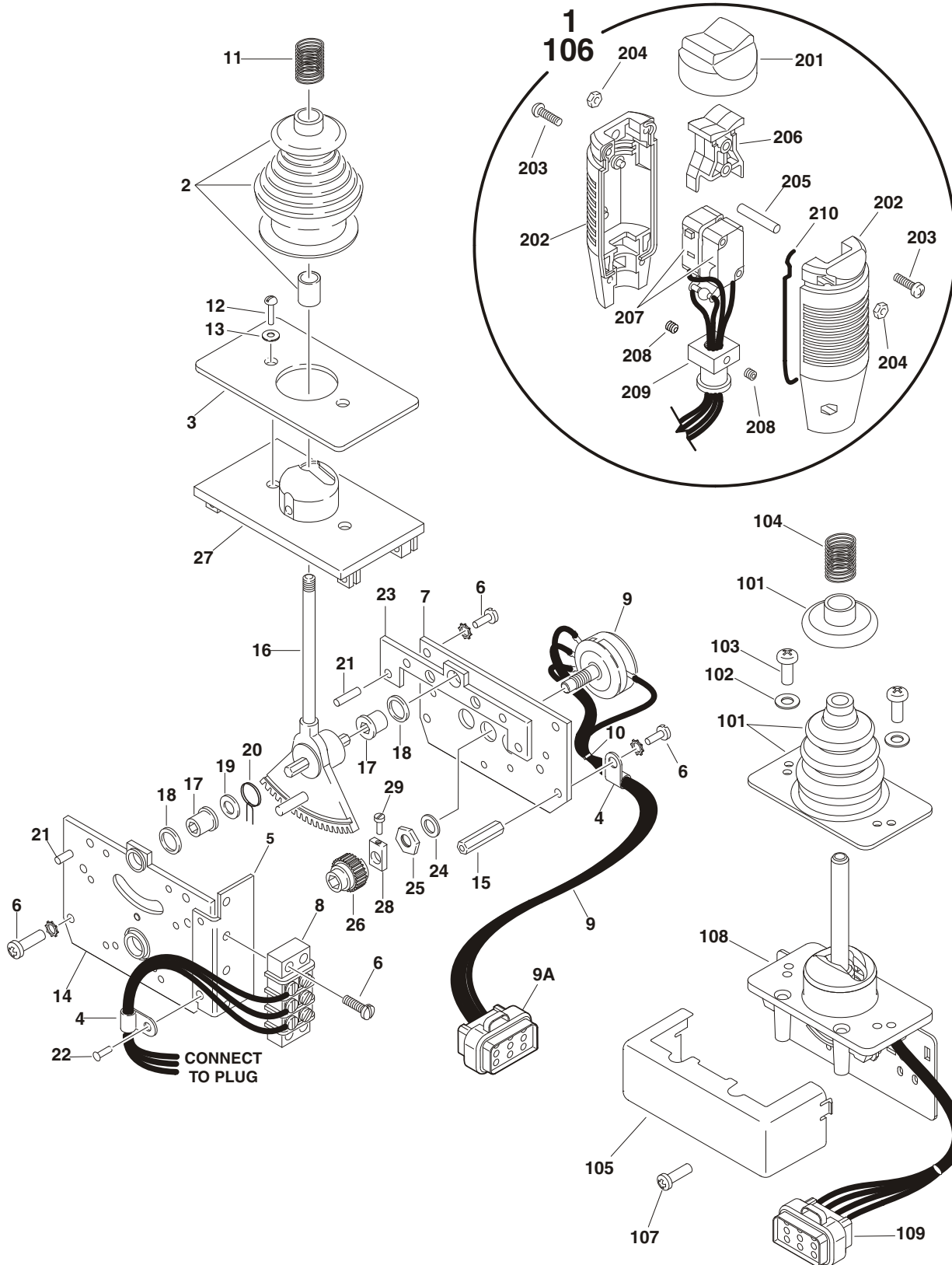
SECTION 4 PLATFORM

FIGURE 4-5. CONTROLLER ASSEMBLY (LIFT AND SWING) (CONTINUED)

ITEM #	PART NUMBER	QTY.	DESCRIPTION	REV.

SECTION 4 PLATFORM

FIGURE 4-6. CONTROLLER ASSEMBLY (DRIVE AND STEER)



SECTION 4 PLATFORM

FIGURE 4-6. CONTROLLER ASSEMBLY (DRIVE AND STEER)

ITEM #	PART NUMBER	QTY.	DESCRIPTION	REV.
		Ref	Note: Original Equipment controller may have been replaced with Service Replacement controller. Visually identify controller before ordering parts.	
		Ref	CONTROLLER ASSEMBLIES	
	1600318	Ref	Controller Assembly (Original Equipment)	C
1	7022812	1	Handle Assembly (See Items 201-210 for Breakdown)	
2	7019161	1	Boot and Sleeve	
3	7003933	1	Gasket	
4	7019154	2	Clamp, Wire	
5	7022823	1	Bracket, Mounting	
6	7003994	1	Screw	
7	7022822	1	Plate, Pot Mounting	
8	7003986	1	Strip, Terminal - 3 Position	
9	7022824	1	Electric Assembly	
9A	Use 1001113961	1	Plug, Male - 8 Position (Black) (was p/n 7022825)	
	4460871	7	Socket, Female	
10	7019151	AR	Tie-Strap	
11	7019162	1	Spring	
12	7003969	2	Screw	
13	7003941	2	Washer	
14	Use 1001118416	1	Plate, Mounting (Left Side) (Note: Not Available for Purchase.)	
15	7019115	2	Stand-Off	
16	7019155	1	Shaft 8mm	
17	7019111	2	Bearing	
18	7019110	2	Spacer, Head Gear	
19	7019112	1	Washer	
20	7003946	1	Spring, Return	
21	7019103	4	Pin	
22	See Note	1	Rivet (Note: Not Available - Purchase Locally.)	
23	7019168	1	Plate, Mounting (Right Side)	
24	7003992	1	Washer	
25	7003993	1	Nut	
26	7003935	1	Gear, Slave	
27	7019160	1	Plate, Base	
28	7019114	1	Coupling, Potentiometer	
29	See Note	1	Screw, Cup Point (Note: Not Available - Purchase Locally.)	
	1001118416	Ref	Controller Assembly (Service Replacement)	A
101	70002724	1	Boot & Control Lock Assembly	
102	7003941	2	Washer	
103	70002725	2	Screw	
104	7019162	1	Spring	
105	70002726	1	Enclosure	
106	70002727	1	Handle Assembly (See Items 201-210 for Breakdown)	
107	70002728	1	Screw	
108	Use 1001118416	1	Mechanical Assembly (Note: Not Available for Purchase.)	

SECTION 4 PLATFORM

FIGURE 4-6. CONTROLLER ASSEMBLY (DRIVE AND STEER) (CONTINUED)

ITEM #	PART NUMBER	QTY.	DESCRIPTION	REV.
109	Use 1001113961	1	Plug, Male - 8 Position (Black) (was p/n 7022825)	
	4460871	7	Socket, Female	
		Ref	HANDLE ASSEMBLY	
	7022812	Ref	Controller Assembly p/n 1600318	
	70002727	Ref	Controller Assembly p/n 1001118416	
201	7003972	1	Boot, Switch	
202	7003973	2	Half, Handle	
203	7003980	4	Screw	
204	7019167	4	Nut	
205	7019164	1	Axle	
206	7019165	1	Rocker	
207		1	Wiring Assembly Options:	
	7019196		Controller Assembly p/n 1600318	
	70002729		Controller Assembly p/n 1001118416	
		2	Switch, Micro	
	7019166		Controller Assembly p/n 1600318	
	7003982		Controller Assembly p/n 1001118416	
208	7003983	2	Setscrew	
209	7019194	1	Coupling	
210	7003989	2	Gasket	

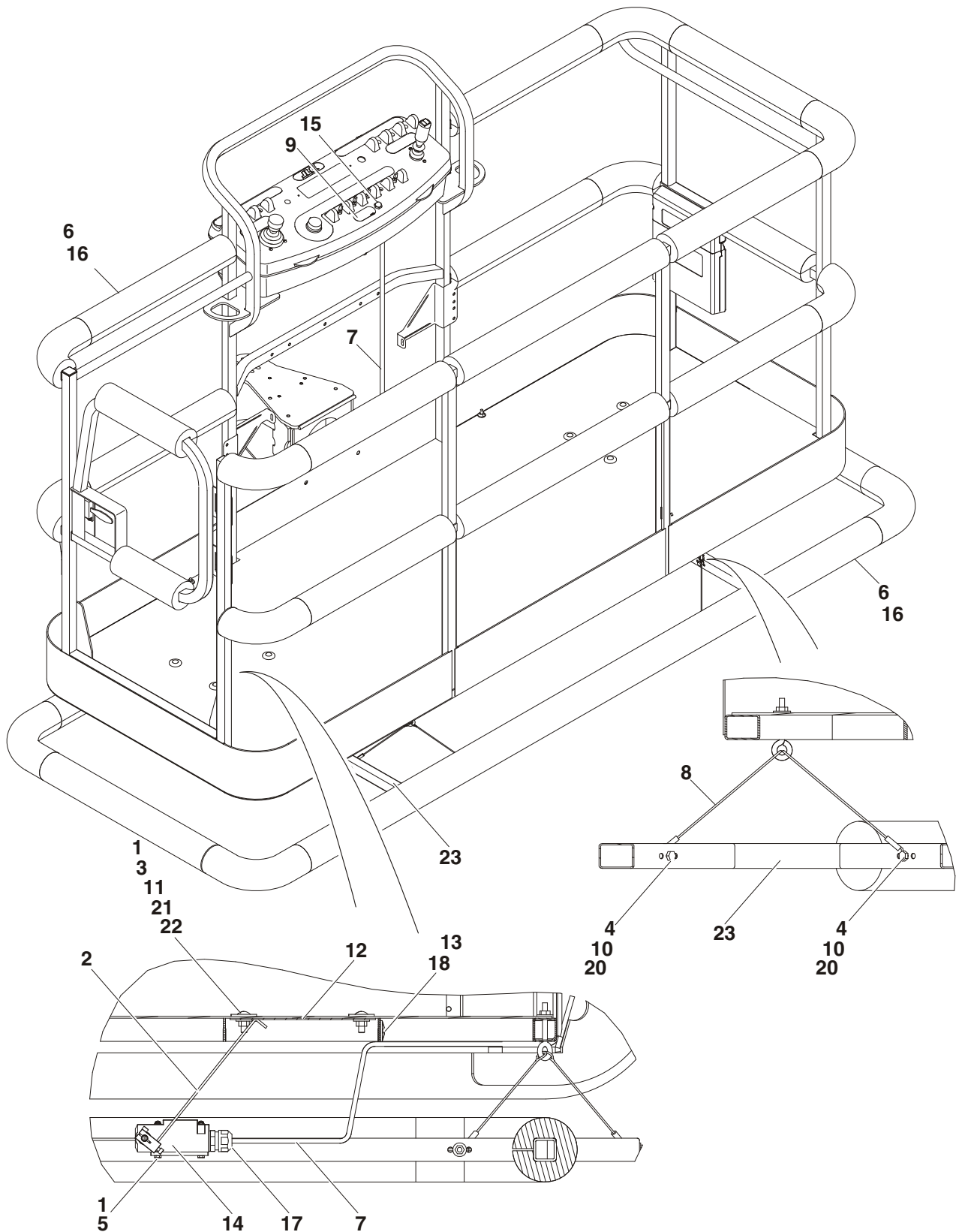
SECTION 4 PLATFORM

FIGURE 4-6. CONTROLLER ASSEMBLY (DRIVE AND STEER) (CONTINUED)

ITEM #	PART NUMBER	QTY.	DESCRIPTION	REV.

SECTION 4 PLATFORM

FIGURE 4-7. SOFT TOUCH SYSTEM INSTALLATION (OPTIONAL)



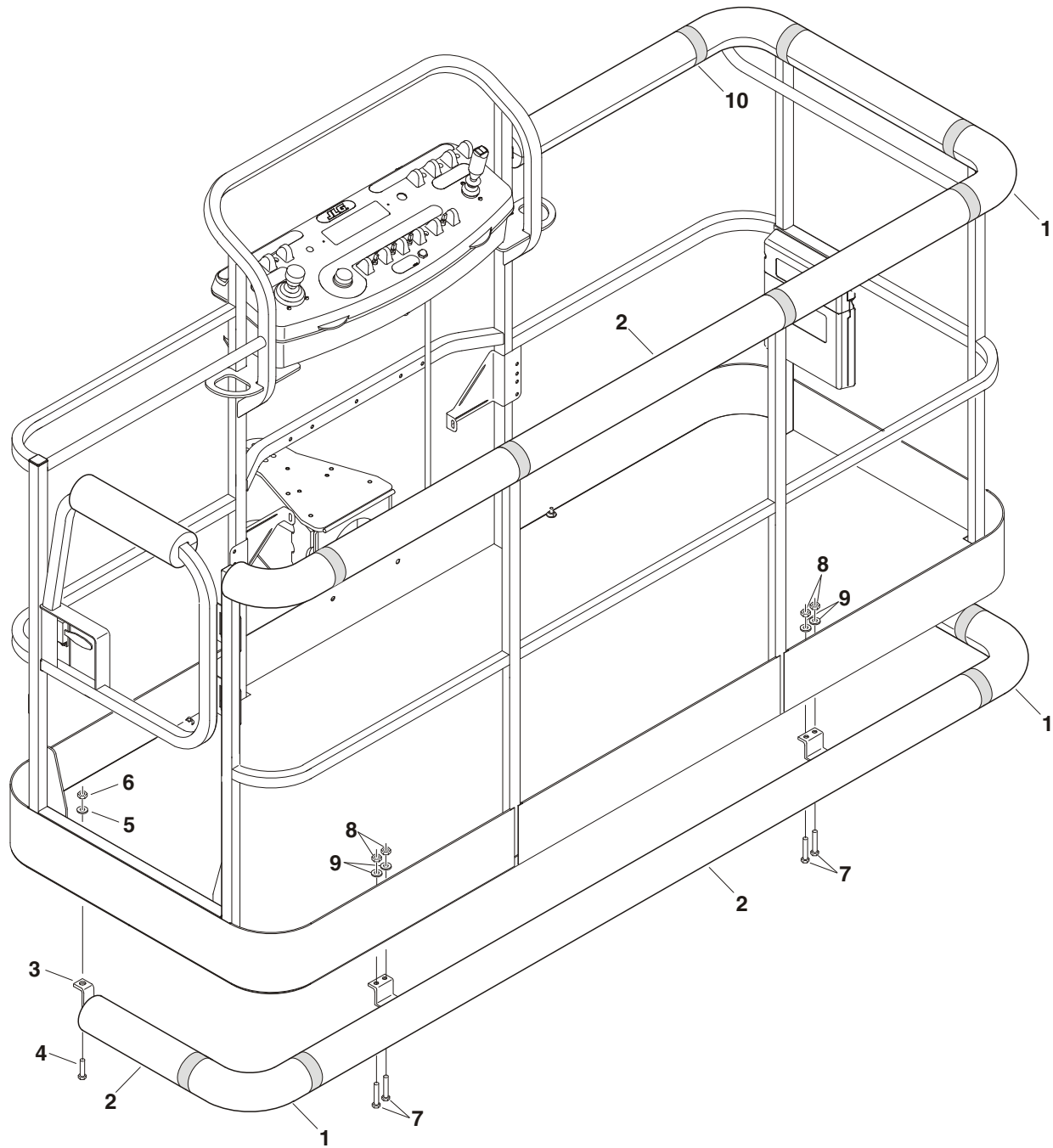
SECTION 4 PLATFORM

FIGURE 4-7. SOFT TOUCH SYSTEM INSTALLATION (OPTIONAL)

ITEM #	PART NUMBER	QTY.	DESCRIPTION	REV.
		Ref	SOFT TOUCH SYSTEM INSTALLATIONS	
	0273824	Ref	6ft Platforms (Side Entry Platform)	A
	0272427	Ref	8ft Platforms (Side Entry Platform)	C
	0273706	Ref	8Ft/2.4m Platforms w/Fall Arrest	A
1	0100011	AR	Compound, Locking	
2	0200048	2	Arm, Switch	
3	0630462	8	Bolt, Carriage	
4	0641414	8	Bolt 1/4in-20NC x 1-3/4in	
5	0721005	4	Bolt #10-24NC x 5/8in	
6		1	Bumper Kits (Includes Corners and Enough Straight Material for One Platform)	
	0940134		6ft Platform	
	0940103		8ft Platform	
	0940133		8Ft/2.4m Platforms w/Fall Arrest	
	0940092		Bumper (Corner) Options:	
		12	6ft/8ft Platform	
		8	8Ft/2.4m Platforms w/Fall Arrest	
	0940094	AR	Bumper (12ft Length)	
7	1060341		Cable, Electrical - 16/2 Options:	
		22ft/6.7m	6ft Platform	
		23ft/7m	8ft Platform	
8	1060903	4	Wire Rope & Eyebolt Assembly	
9	1702938	1	Decal - Soft Touch Override	
10	3311401	8	Nut 1/4in-20NC	
11	3311501	8	Nut 5/16in-18NC	
12		2	Plate, Switch Strike Options:	
	3575359		6ft Platform	
	3574091		8ft Platform	
13	4240099	7	Tie-Strap	
14	4360057	2	Switch, Limit	
15	4360387	1	Switch, Push Button	
16	4420068	1	Tape, Adhesive	
17	4460049	2	Connector, Strain Relief	
18	4460234	7	Tie-Strap	
19	4460425	1	Connector, Strain Relief	
20	4751400	8	Flatwasher 1/4in Regular	
21	4751500	12	Flatwasher 5/16in Regular	
22	4751800	8	Flatwasher 1/2in Regular	
23		1	Rail, Soft Touch Options:	
	3641569		6ft Platform	
	4846673		8ft Platform	
24 to 99	Not Used			
100		1	Soft-Touch Add-On Kit Options (Includes required components to add option to existing machines) (Not Shown):	
		Ref	Note: May not be available for all machines depending on existing options. Contact JLG Parts Dept before ordering.	
	1001121592		3ft x 6ft (.9m x 1.83m) Platform	
	1001121593		3ft x 6ft (.9m x 2.44m) Platform	

SECTION 4 PLATFORM

FIGURE 4-8. PLATFORM PADDING INSTALLATION (OPTIONAL) (SIDE ENTRY PLATFORM)



SECTION 4 PLATFORM

FIGURE 4-8. PLATFORM PADDING INSTALLATION (OPTIONAL) (SIDE ENTRY PLATFORM)

ITEM #	PART NUMBER	QTY.	DESCRIPTION	REV.
	0273542	Ref	PADDING INSTALLATION	A
1	0940092	4	Bumper, Pad (Corner)	
2	0940094	9ft/2.7m	Bumper, Pad (Square Tubing)	
3	0940131	1	Bumper, Rail	
4	0641516	2	Bolt 5/16in-18NC x 2in	
5	4751500	2	Flatwasher 5/16in Regular	
6	3311505	2	Locknut 5/16in-18NC	
7	0641813	4	Bolt 1/2in-13NC x 1-5/8in	
8	3311805	4	Locknut 1/2in-13NC	
9	4891800	4	Flatwasher 1/2in Hardened	
10	4420068	30ft/9.1m	Tape	

SECTION 4 PLATFORM

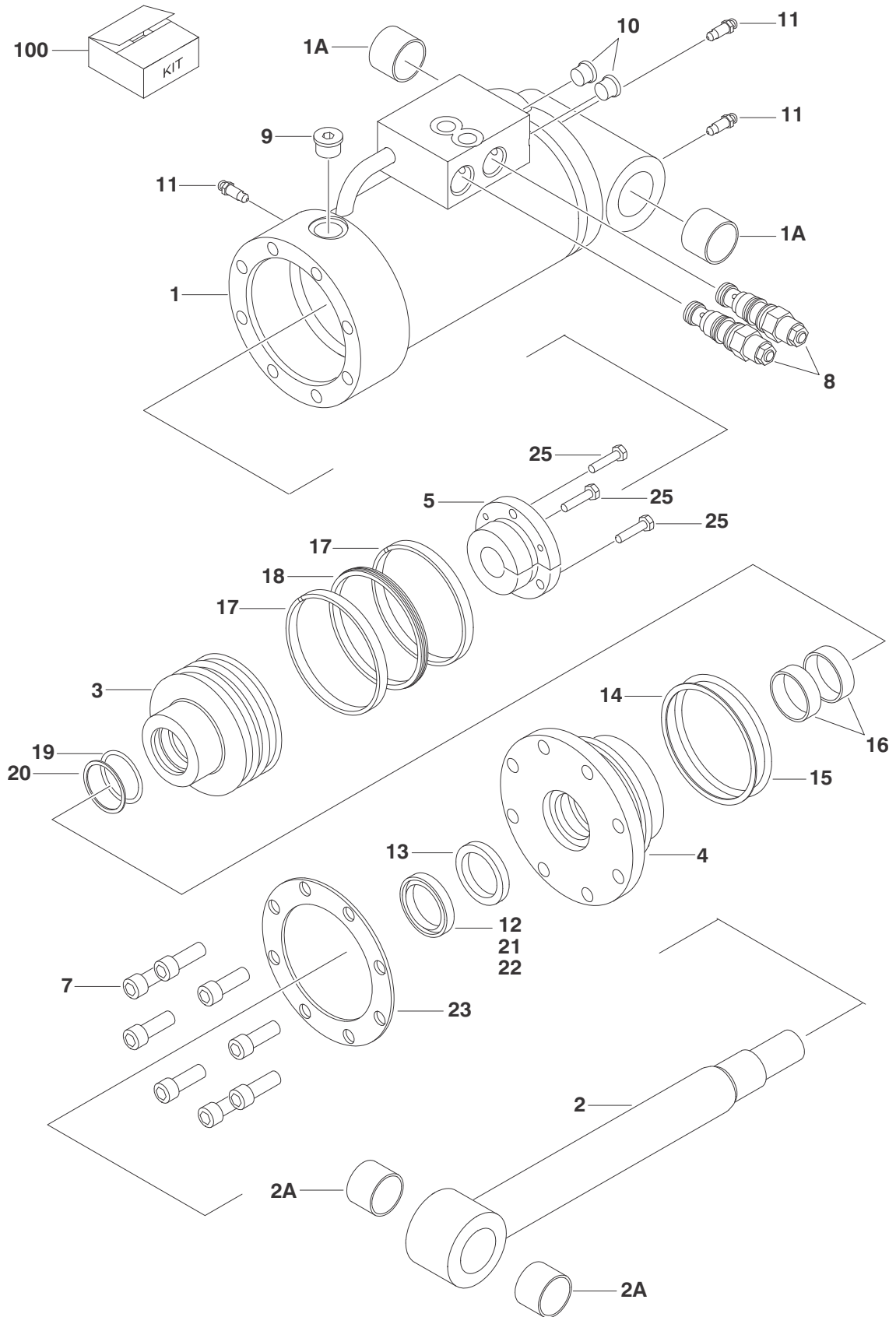
FIGURE 4-8. PLATFORM PADDING INSTALLATION (OPTIONAL) (SIDE ENTRY PLATFORM)

ITEM #	PART NUMBER	QTY.	DESCRIPTION	REV.

SECTION 5 CYLINDER

SECTION 5 CYLINDER

FIGURE 5-1. AXLE LOCKOUT CYLINDER ASSEMBLY (SN 0300068000 TO SN 0300075606)



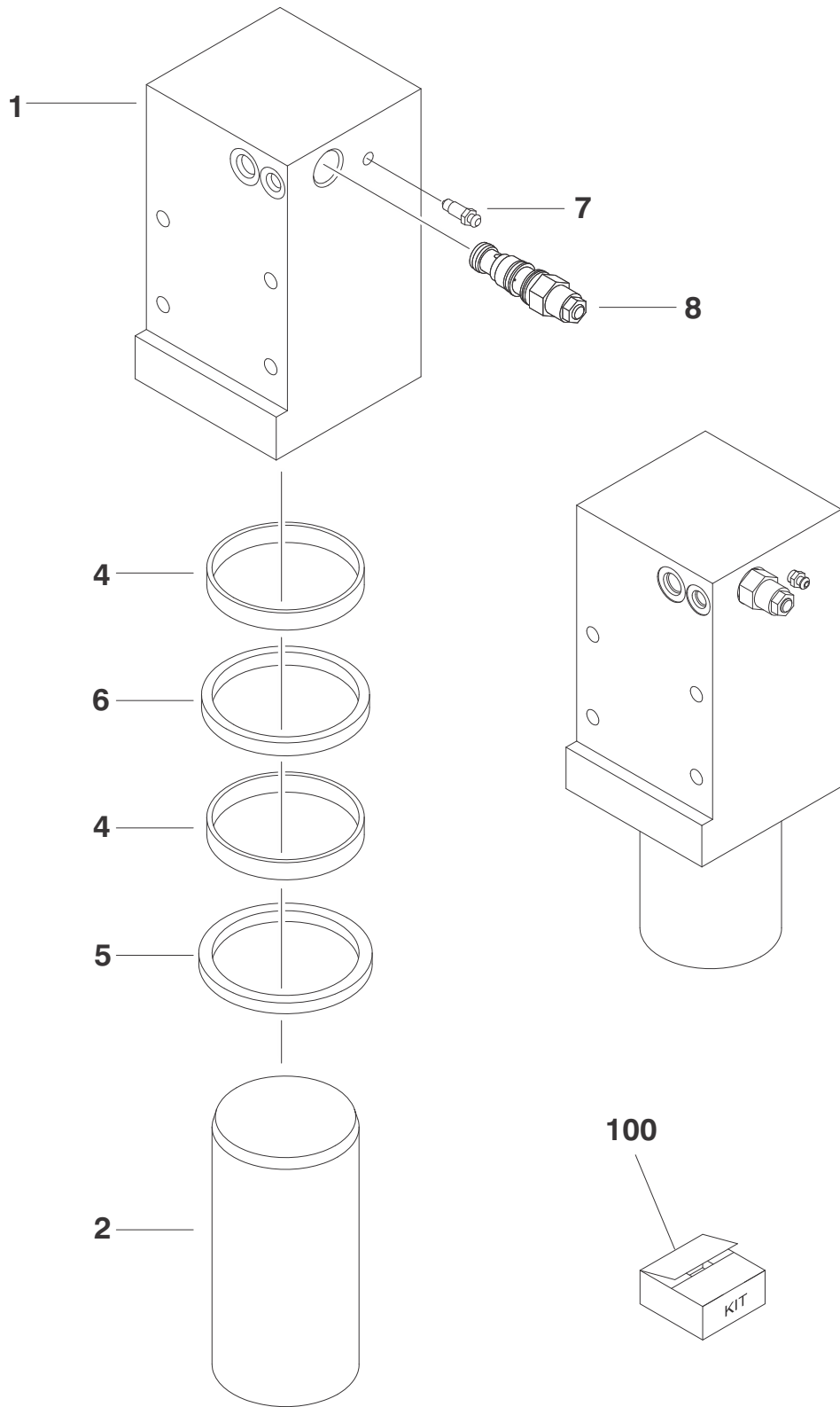
SECTION 5 CYLINDER

FIGURE 5-1. AXLE LOCKOUT CYLINDER ASSEMBLY (SN 0300068000 TO SN 0300075606)

ITEM #	PART NUMBER	QTY.	DESCRIPTION	REV.
	1683078	Ref	AXLE LOCKOUT CYLINDER ASSEMBLY	H
1	1684191	1	Barrel Weldment	
1A	Use 0962496	2	Bushing (was p/n 0961816)	
2	1683986	1	Rod Weldment	
2A	Use 0962496	2	Bushing (was p/n 0961816)	
3	3480176	1	Piston	
4	1683059	1	Head	
5	0961895	1	Bushing	
6	Not Used			
7	3931720	8	Bolt, Socket Head 7/16in-14NC x 1-1/4in	
8	4641162	2	Cartridge, Valve (Counterbalance)	
	2900770	2	Seal Kit - 4641162 Valve (1 Per Assembly)	
9	2220886	1	Plug, O-Ring	
10	2220885	2	Plug, O-Ring	
11	4640858	3	Valve, Bleeder	
12	Use 2901271	1	Wiper	
13	Use 2901271	1	Seal, Rod	
14	Use 2901271	1	O-Ring	
15	Use 2901271	1	Ring, Back-up	
16	Use 2901271	1	Ring, Wear	
17	Use 2901271	2	Ring, Wear	
18	Use 2901271	1	T-Seal	
19	Use 2901271	1	O-Ring	
20	Use 2901271	2	Ring, Back-up	
21	0100011	AR	Compound, Locking	
22	0100038	AR	Primer, Locking	
23	3760367	1	Ring, Washer	
24	Not Used			
25	0630535	3	Screw, Socket Head 1/4in-20NC x 1-1/8in	
100	2901271	1	Seal Kit - 1683078 Cylinder (Includes Items 12-20)	

SECTION 5 CYLINDER

FIGURE 5-2. AXLE LOCKOUT CYLINDER ASSEMBLY (SN 0300075606 TO SN 0300087000)



SECTION 5 CYLINDER

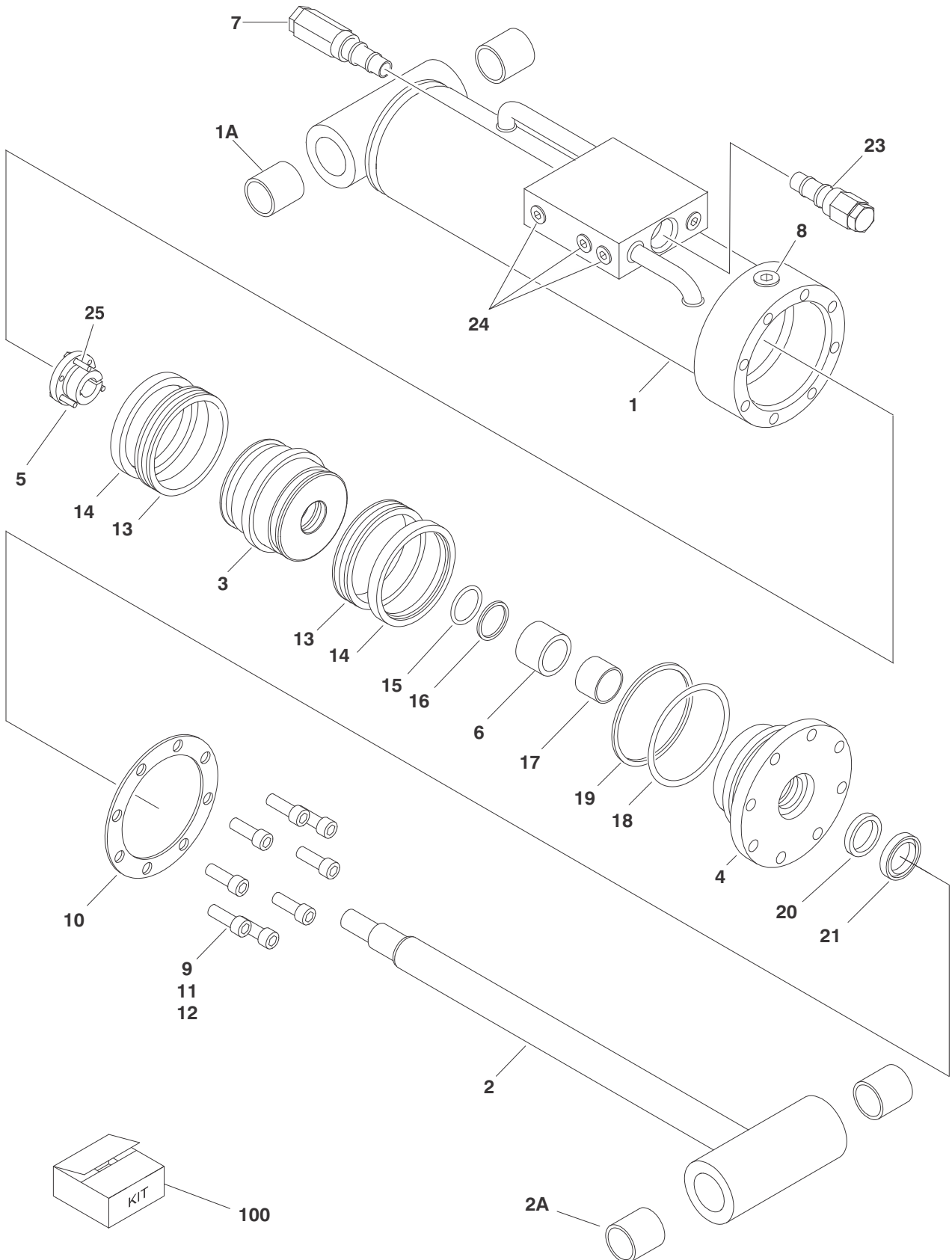
FIGURE 5-2. AXLE LOCKOUT CYLINDER ASSEMBLY (SN 0300075606 TO SN 0300087000)

ITEM #	PART NUMBER	QTY.	DESCRIPTION	REV.
	1684280	Ref	AXLE LOCKOUT CYLINDER ASSEMBLY	E
1	1684289	1	Barrel	
2	1684290	1	Rod	
3	Not Used			
4	Use 2902266	2	Ring, Wear	
5	Use 2902266	1	Wiper	
6	Use 2902266	1	Seal, Rod	
7	4640476	1	Bleeder	
8	4641319	1	Cartridge, Valve	
	7024879	1	Seal Kit	

100	2902266	1	Seal Kit (Includes Items 4-6)	

SECTION 5 CYLINDER

FIGURE 5-3. LEVEL CYLINDER ASSEMBLY - 600S



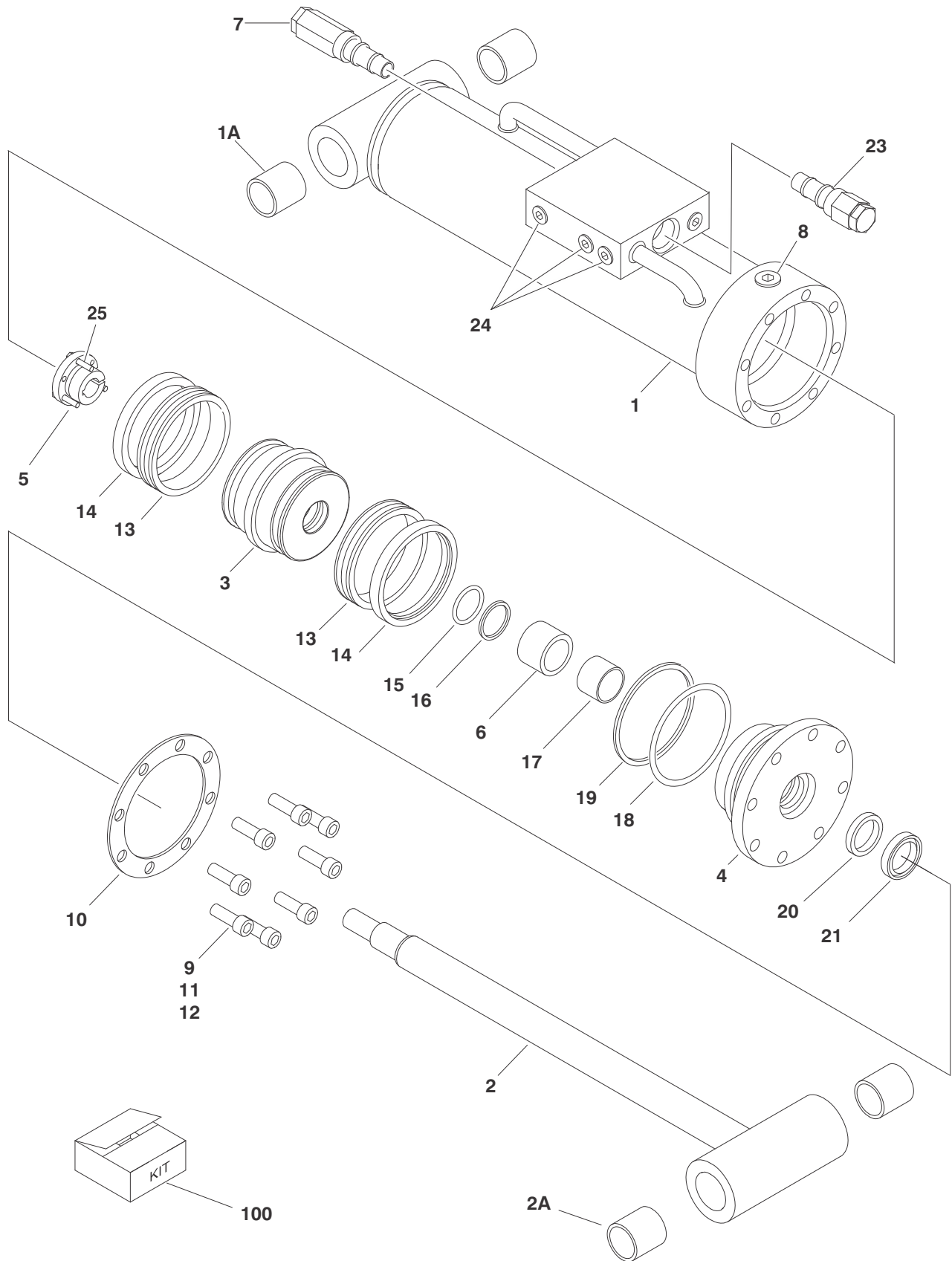
SECTION 5 CYLINDER

FIGURE 5-3. LEVEL CYLINDER ASSEMBLY - 600S

ITEM #	PART NUMBER	QTY.	DESCRIPTION	REV.
	1683415	Ref	LEVEL CYLINDER ASSEMBLY	C
1	1683977	1	Barrel Weldment	
1A	0961947	2	Bushing, Garmax	
2	1683976	1	Rod Weldment	
2A	0961947	2	Bushing, Garmax	
3	3480210	1	Piston	
4	1683053	1	Head	
5	0961893	1	Bushing, Tapered	
6	4566468	1	Spacer	
7	4640509	1	Cartridge, Valve	
	2900792	1	Seal Kit - 4640509 Valve	
8	2220885	1	Plug, O-Ring	
9	3931516	8	Capscrew, Socket Head 5/16in-18NC x 1in	
10	3760368	1	Ring, Washer	
11	0100011	AR	Compound, Locking	
12	0100038	AR	Primer, Locking	
13	Use 2901303	2	Seal	
14	Use 2901303	2	Ring, Lock	
15	Use 2901303	1	O-Ring	
16	Use 2901303	1	Ring, Back-up	
17	Use 2901303	1	Ring, Wear	
18	Use 2901303	1	O-Ring	
19	Use 2901303	1	Ring, Back-up	
20	Use 2901303	1	Seal, Rod	
21	Use 2901303	1	Wiper	
22	Not Used			
23	4640932	1	Cartridge, Valve	
	7011112	1	Seal Kit - 4640932 Valve	
24	2220883	8	Plug, O-Ring	
25	0630534	3	Screw, Socket Head #10-24NC x 1in	
100	2901303	1	----- Seal Kit (Includes Items 13-21)	

SECTION 5 CYLINDER

FIGURE 5-4. LEVEL CYLINDER ASSEMBLY - 600SJ & 660SJ



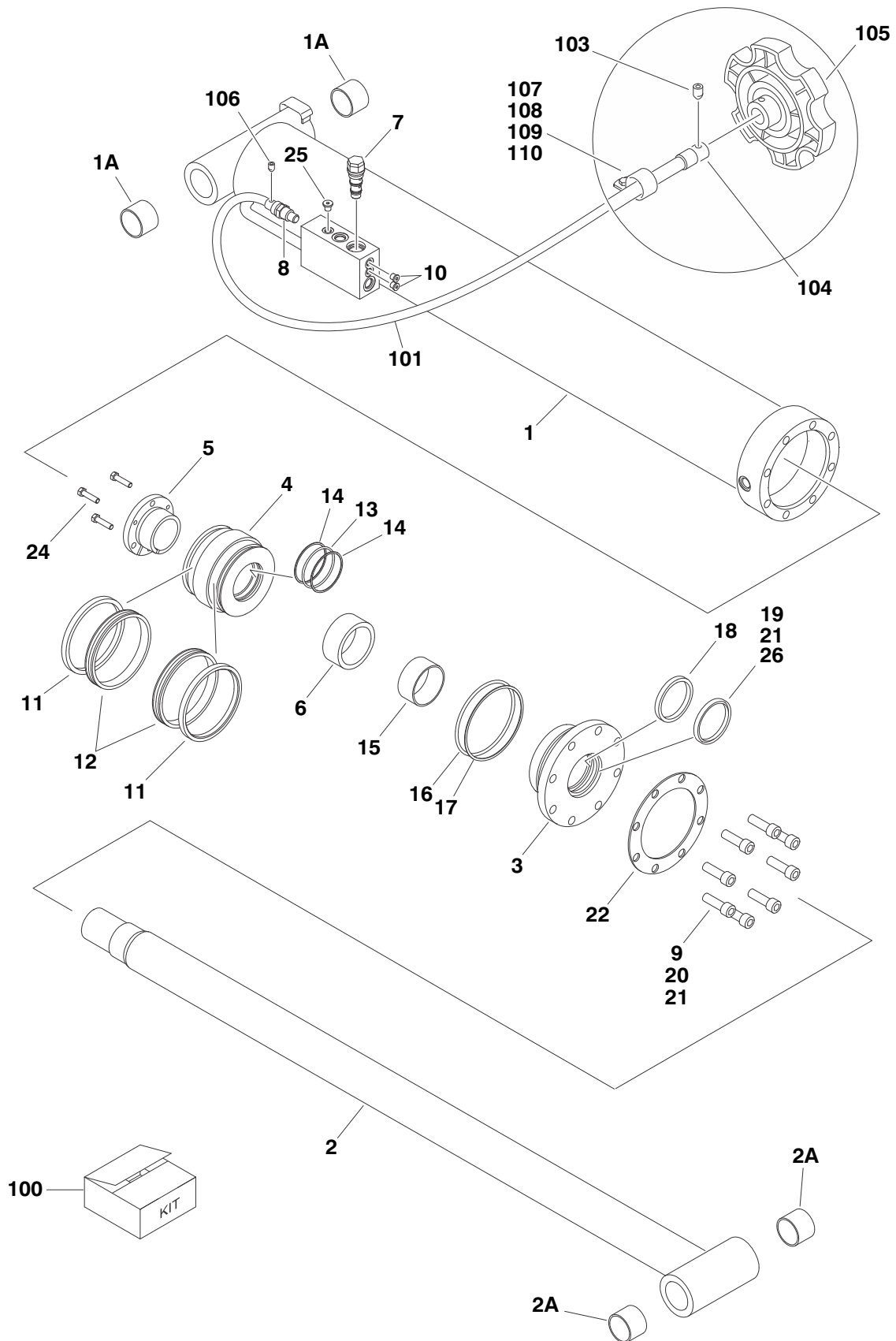
SECTION 5 CYLINDER

FIGURE 5-4. LEVEL CYLINDER ASSEMBLY - 600SJ & 660SJ

ITEM #	PART NUMBER	QTY.	DESCRIPTION	REV.
	1683418	Ref	LEVEL CYLINDER ASSEMBLY	D
1	1683952	1	Barrel Weldment (Note: Item 1A not included - Purchase Separately)	
1A	0961951	2	Bushing, Composite	
2	1683963	1	Rod Weldment (Note: Item 2A not included - Purchase Separately)	
2A	0961951	2	Bushing, Composite	
3	3480188	1	Piston	
4	1683055	1	Head	
5	0961894	1	Bushing, Tapered	
6	4566468	1	Spacer	
7	4640509	1	Cartridge, Valve	
	2900792	1	Seal Kit - 4640509 Valve	
8	2220885	1	Plug, O-Ring	
9	3931620	8	Capscrew, Socket Head 3/8in-16NC x 1-1/4in	
10	3760369	1	Ring, Washer	
11	0100011	AR	Compound, Locking	
12	0100038	AR	Primer, Locking (Not Shown)	
13	Use 2901301	2	Seal	
14	Use 2901301	2	Ring, Lock	
15	Use 2901301	1	O-Ring	
16	Use 2901301	1	Ring, Back-up	
17	Use 2901301	1	Ring, Wear	
18	Use 2901301	1	O-Ring	
19	Use 2901301	1	Ring, Back-up	
20	Use 2901301	1	Seal, Rod	
21	Use 2901301	1	Wiper	
22	Not Used			
23	4640932	1	Cartridge, Valve	
	7011112	1	Seal Kit - 4640932 Valve	
24	2220883	8	Plug, O-Ring	
25	0630535	3	Screw, Socket Head 1/4in-20NC x 1-1/8in	
100	2901301	1	Seal Kit - 1683418 Cylinder (Includes Items 13-21)	

SECTION 5 CYLINDER

FIGURE 5-5. MAIN LIFT CYLINDER ASSEMBLY



SECTION 5 CYLINDER

FIGURE 5-5. MAIN LIFT CYLINDER ASSEMBLY

ITEM #	PART NUMBER	QTY.	DESCRIPTION	REV.
		Ref	Note: Original Equipment Cylinder may have been replaced with Service Replacement Cylinder. Identify p/n stamped on cylinder before ordering parts.	
		Ref	MAIN LIFT CYLINDER ASSEMBLY OPTIONS: SN 0300068000 to SN 0300070975 SN 0300070975 to SN 0300087000 (Original Equipment) Service Replacement for p/n 1682666	H
	1683275	Ref		D
	1683666	Ref		B
	1001112468	Ref		
1	Use 1001112467	1	Barrel Weldment (was p/n 1683955)	
1A	0961950	2	Bushing, Composite	
2	1683954	1	Rod Weldment	
2A	0961950	2	Bushing, Composite	
3	1683067	1	Head	
4	3480206	1	Piston	
5	0961898	1	Bushing, Tapered (Use item #24 in place of supplied bolts)	
6	4566501	1	Spacer, Tube	
7	4640509	1	Cartridge, Valve	
	2900792	1	Seal Kit - 4640509 Valve	
8	4640799	1	Cartridge, Valve (Used on 1683275Cylinder)	
	7010545	1	Seal Kit - 4640799 Valve	
	2220887	1	Plug, O-Ring (Used on 1683666 Cylinder)	
9	3932032	8	Bolt, Socket Head 5/16in-11NC x 2in	
10	2220883	2	Plug, O-Ring	
11	Use 2901285	2	Ring, Lock	
12	Use 2901285	2	Seal, Hydrolock	
13	Use 2901285	1	O-Ring	
14	Use 2901285	2	Ring, Back-up	
15	Use 2901285	1	Ring, Wear	
16	Use 2901285	1	O-Ring	
17	Use 2901285	1	Ring, Back-up	
18	Use 2901285	1	Seal, Rod	
19	Use 2901285	1	Wiper	
20	0100011	AR	Compound, Locking	
21	0100038	AR	Primer, Locking	
22	3760372	1	Washer, Ring	
23	Not Used			
24	0630536	3	Screw, Socket Head 3/8in-16NC x 1-1/2in	
25	2220235	1	Plug, O-Ring (SN 0300070975 to SN 0300087000)	
26	0100063	AR	Loctite #609 (SN 0300070975 to SN03000 87000)	
100	2901285	1	Seal Kit - Includes Items 11-19	

SECTION 5 CYLINDER

FIGURE 5-5. MAIN LIFT CYLINDER ASSEMBLY (CONTINUED)

ITEM #	PART NUMBER	QTY.	DESCRIPTION	REV.
	0256212	Ref	MANUAL DESCENT INSTALLATION (SN 0300068000 TO SN 0300070975)	3/B
101	1060617	1	Cable	
102	Not Used			
103	3900230	2	Setscrew #10-32NF x 3/8in	
104	0080220	1	Adapter	
105	2560144	1	Knob	
106	3950803	1	Setscrew #8-32NC x 3/8in	
107	1320070	1	Clamp	
108	0641408	1	Bolt 1/4in-20NC x 1in	
109	3311405	1	Locknut 1/4in-20NC	
110	4751400	2	Flatwasher 1/4in Regular	

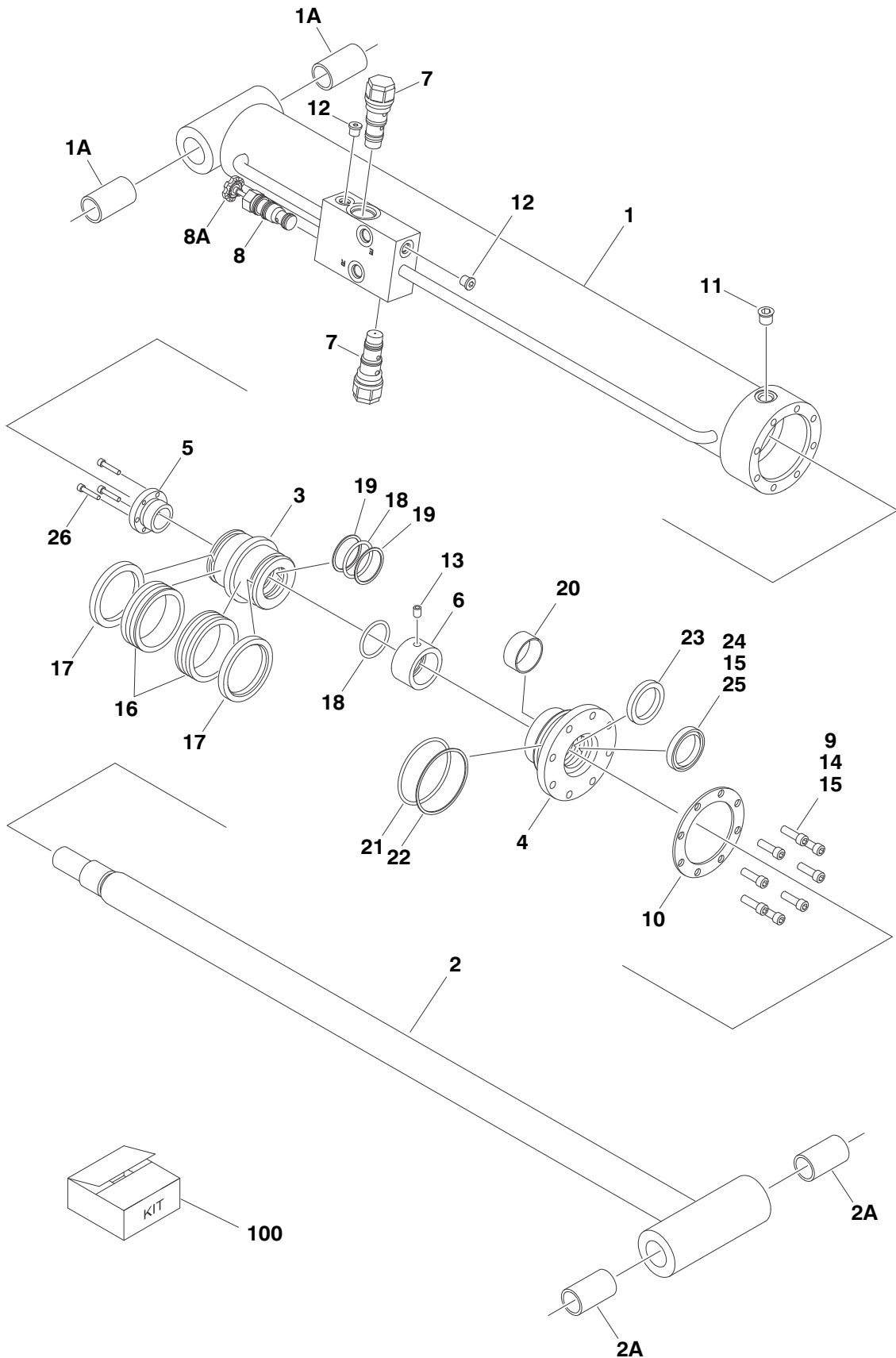
SECTION 5 CYLINDER

FIGURE 5-5. MAIN LIFT CYLINDER ASSEMBLY (CONTINUED)

ITEM #	PART NUMBER	QTY.	DESCRIPTION	REV.

SECTION 5 CYLINDER

FIGURE 5-6. ARTICULATING JIB LIFT CYLINDER ASSEMBLY - 600SJ & 660SJ



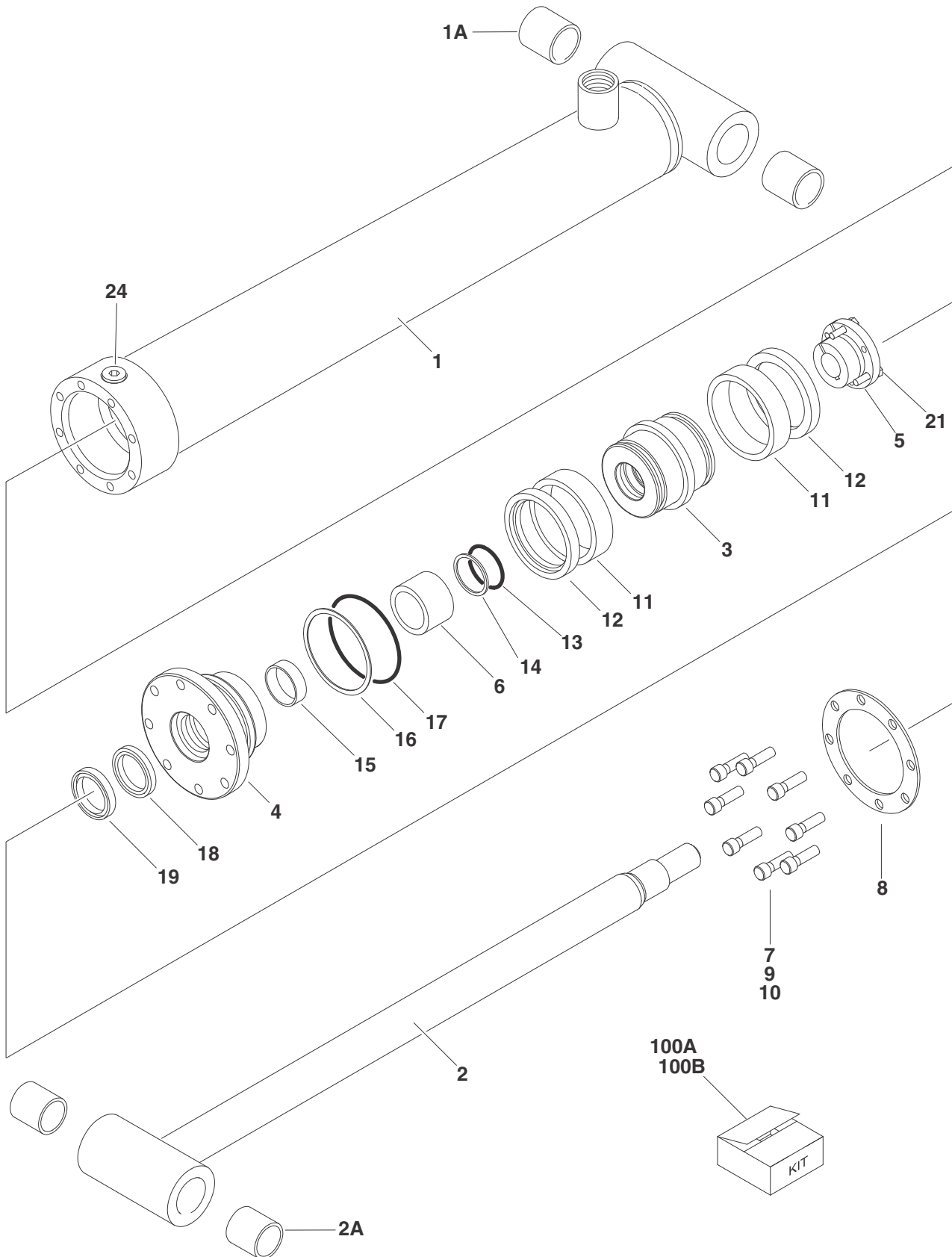
SECTION 5 CYLINDER

FIGURE 5-6. ARTICULATING JIB LIFT CYLINDER ASSEMBLY - 600SJ & 660SJ

ITEM #	PART NUMBER	QTY.	DESCRIPTION	REV.
		Ref	ARTICULATING JIB LIFT CYLINDER ASSEMBLY OPTIONS:	
	1683258	Ref	SN 0300068000 to SN 0300070975	E
	1683609	Ref	SN 0300070975 to SN 0300087000	G
1	1684092	1	Barrel Weldment	
1A	0962336	2	Bushing, Composite	
2	1684090	1	Rod Weldment	
2A	0962336	2	Bushing, Composite	
3	3480210	1	Piston	
4	1683053	1	Head	
5	0961893	1	Bushing, Tapered	
6		1	Spacer, Tube Options:	
	4566471		SN 0300068000 to SN 0300079599	
	4100100		SN 0300079599 to SN 0300087000	
7	4640509	2	Cartridge, Valve	
	2900792	2	Seal Kit - 4640509 Valve	
8	4640902	1	Cartridge, Valve (SN 0300068000 to SN 0300070975)	
	7012953	1	Seal Kit - 4640902 Valve	
8A	7012961	1	Knob	
9	3931516	8	Capscrew, Socket Head 5/16in-18NC x 1in	
10	3760368	1	Ring, Washer	
11	2220885	1	Plug, O-Ring #6	
12	2220883	2	Plug, O-Ring #4	
13	3900141	1	Setscrew 1/4in-20NC x 3/8in (SN 0300068000 to SN 0300079599)	
14	0100011	AR	Compound, Locking	
15	0100038	AR	Primer, Locking	
16	Use 2901303	2	Seal	
17	Use 2901303	2	Ring, Lock	
18	Use 2901303	2	O-Ring	
19	Use 2901303	2	Ring, Back-up	
20	Use 2901303	1	Ring, Wear	
21	Use 2901303	1	O-Ring	
22	Use 2901303	1	Ring, Back-up	
23	Use 2901303	1	Seal, Rod	
24	Use 2901303	1	Wiper	
25	0100063	AR	Loctite #609 (SN 0300070975 to SN 0300079599)	
26	0630534	3	Screw, Socket Head #10-24NC x 1in	
100	2901303	1	----- Seal Kit - 1683258 Cylinder (Includes Items 16-24)	

SECTION 5 CYLINDER

FIGURE 5-7. MASTER CYLINDER ASSEMBLIES



SECTION 5 CYLINDER

FIGURE 5-7. MASTER CYLINDER ASSEMBLIES

ITEM #	PART NUMBER	QTY.	DESCRIPTION	REV.
	1683266	Ref	MASTER CYLINDER ASSEMBLY - 600S	C
	1683263	Ref	MASTER CYLINDER ASSEMBLY - 600SJ/660SJ	E
1	1683972 1683949	1	Barrel Options: 600S (Note: Includes Item 1A) 600SJ/660SJ (Note: Item 1A not included - Purchase Separately)	
1A	0961947 0961951	2	Bushing Options: 600S - Bushing 600SJ/660SJ - Bushing	
2	1683973 1683962	1	Rod Options: 600S (Note: Includes Item 1A) 600SJ/660SJ (Note: Item 2A not included - Purchase Separately)	
2A	0961947 0961951	2	Bushing Options: 600S - Bushing 600SJ/660SJ - Bushing	
3	3480210 3480188	1	Piston Options: 600S 600SJ/660SJ	
4	1683053 1683055	1	Head Options: 600S 600SJ/660SJ	
5	0961893 0961894	1	Bushing, Tapered Options: 600S 600SJ/660SJ	
6	4566468	1	Spacer, Tube	
7	3931516 3931620	8	Capscrew Options: 600S - Capscrew 5/16in-18NC x 1in 600SJ/660SJ - Capscrew 3/8in-16NC x 1-1/4in	
8	3760368 3760369	1	Ring, Washer Options: 600S 600SJ/660SJ	
9	0100011	AR	Compound, Locking	
10	0100038	AR	Primer, Locking	
11	See Note	2	Seal (Note: Use Item 100A or 100B)	
12	See Note	2	Ring, Lock (Note: Use Item 100A or 100B)	
13	See Note	1	O-Ring (Note: Use Item 100A or 100B)	
14	See Note	1	Ring, Back-up (Note: Use Item 100A or 100B)	
15	See Note	1	Ring, Wear (Note: Use Item 100A or 100B)	
16	See Note	1	O-Ring (Note: Use Item 100A or 100B)	
17	See Note	1	Ring, Back-up (Note: Use Item 100A or 100B)	
18	See Note	1	Seal, Rod (Note: Use Item 100A or 100B)	
19	See Note	1	Wiper (Note: Use Item 100A or 100B)	
20	Not Used			
21	0630534 0630535	3	Screw Options: 600S - Screw, Socket Head #10-24NC x 1in 600SJ/660SJ - Screw, Socket Head 1/4in-20NC x 1-1/8in	
22 to 23	Not Used			

SECTION 5 CYLINDER

FIGURE 5-7. MASTER CYLINDER ASSEMBLIES (CONTINUED)

ITEM #	PART NUMBER	QTY.	DESCRIPTION	REV.
24	2220885	1	Fitting, Plug (600SJ/660SJ - 1683263 Cylinder Only)	
100		1	Seal Kit (Includes Items 11-19)	
100A	2901303		600S Seal Kit	
100B	2901301		600SJ/660SJ Seal Kit	

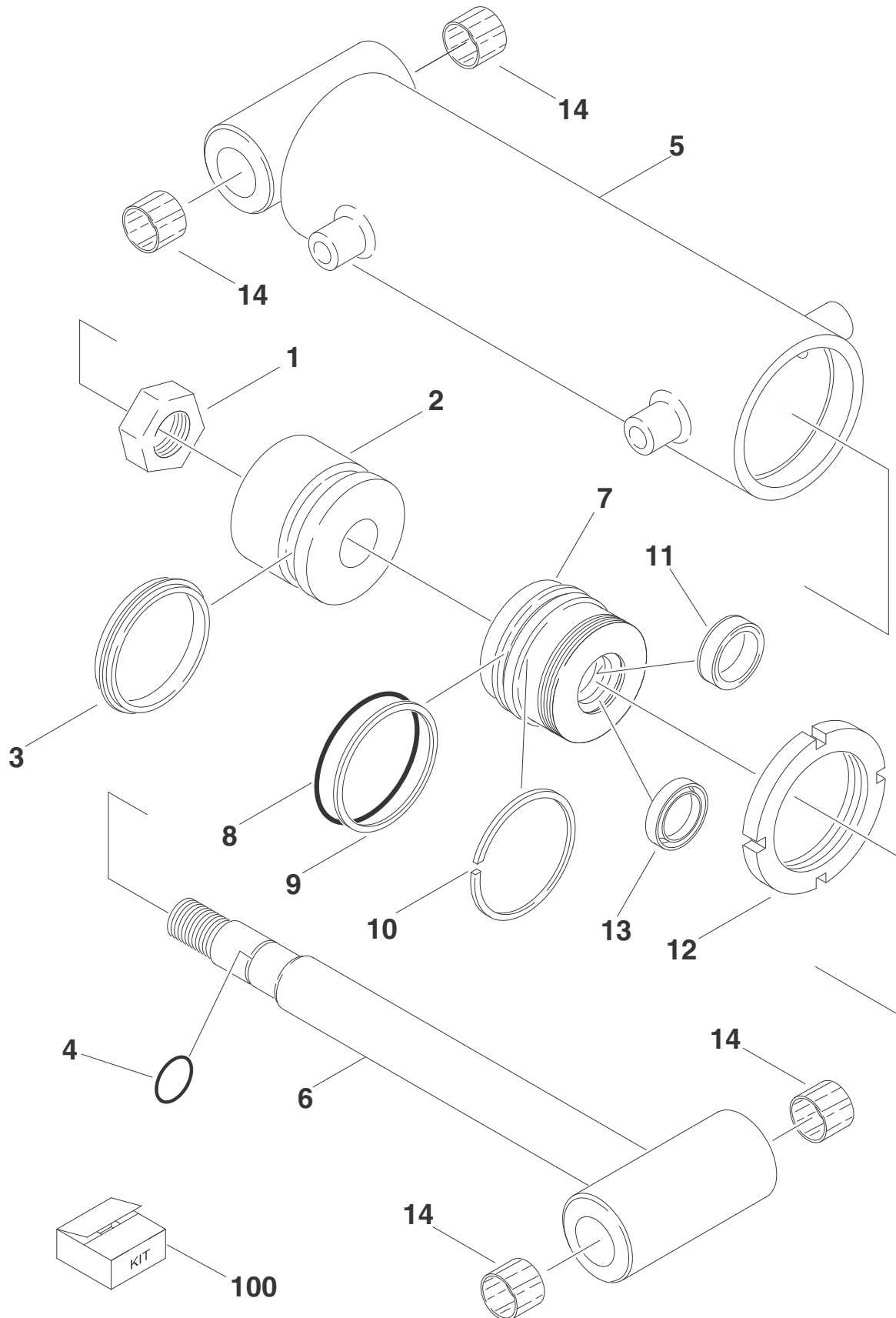
SECTION 5 CYLINDER

FIGURE 5-7. MASTER CYLINDER ASSEMBLIES (CONTINUED)

ITEM #	PART NUMBER	QTY.	DESCRIPTION	REV.

SECTION 5 CYLINDER

FIGURE 5-8. STEER CYLINDER ASSEMBLY



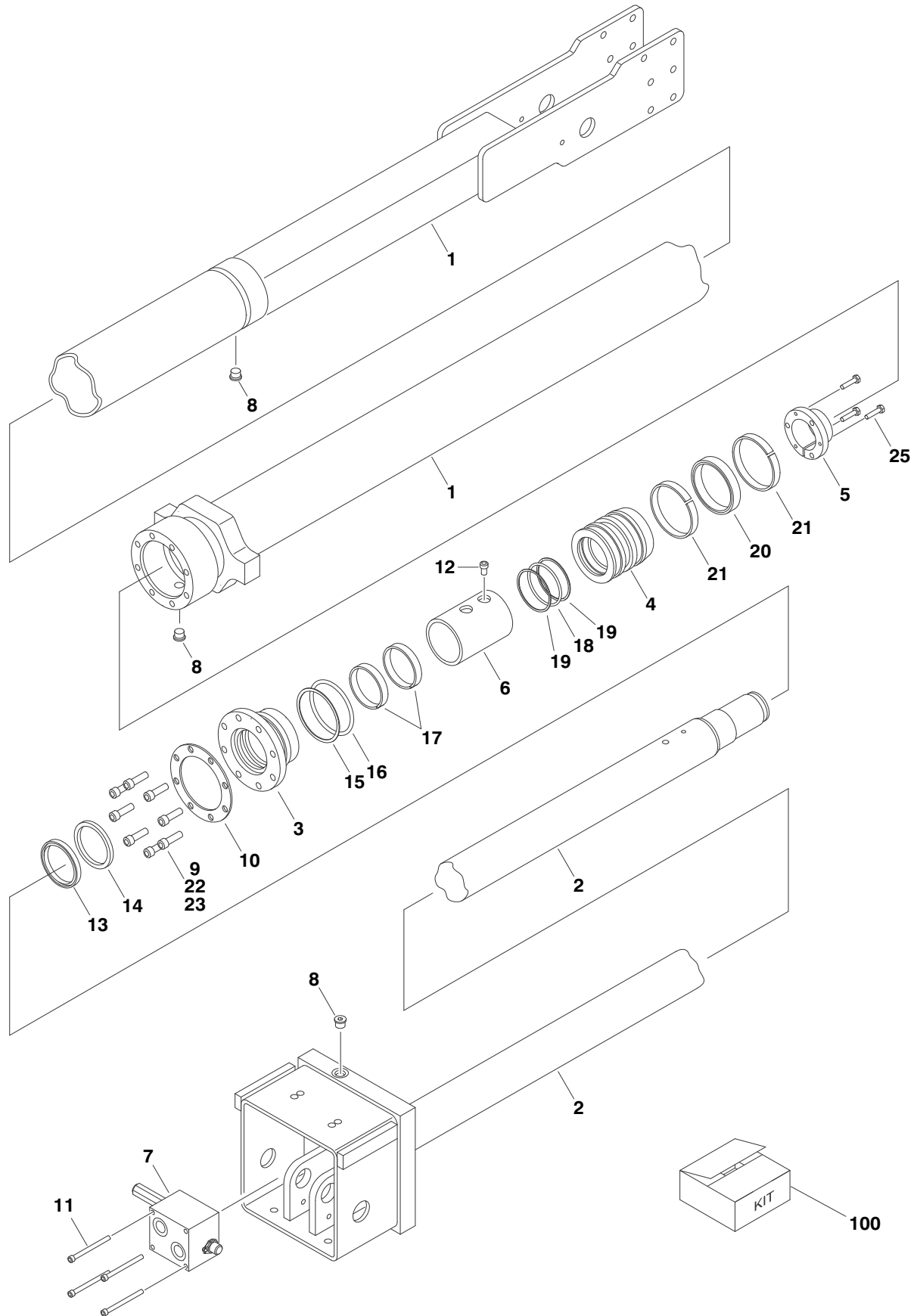
SECTION 5 CYLINDER

FIGURE 5-8. STEER CYLINDER ASSEMBLY

ITEM #	PART NUMBER	QTY.	DESCRIPTION	REV.
	1683208	Ref	STEER CYLINDER ASSEMBLY	C
1	7001626	1	Locknut	
2	7001627	1	Piston	
3	Use 7001625	1	Seal	
4	Use 7001625	1	O-Ring	
5	Use 1683208	1	Barrel Weldment (Note: Not Available - Purchase Complete Steer Cylinder Assembly.)	
6	7001633	1	Rod Weldment	
7	7001629	1	Head	
8	Use 7001625	1	O-Ring	
9	Use 7001625	1	Ring, Back-up	
10	Use 7001625	1	Ring, Retainer	
11	Use 7001625	1	Seal, Lip	
12	7001630	1	Nut, Spanner	
13	Use 7001625	1	Wiper	
14	0961977	4	Bushings	
100	7001625	1	Seal Kit - 1683208 (Includes Items 3, 4, 8-11 & 13)	

SECTION 5 CYLINDER

FIGURE 5-9. TELESCOPE CYLINDER ASSEMBLIES



SECTION 5 CYLINDER

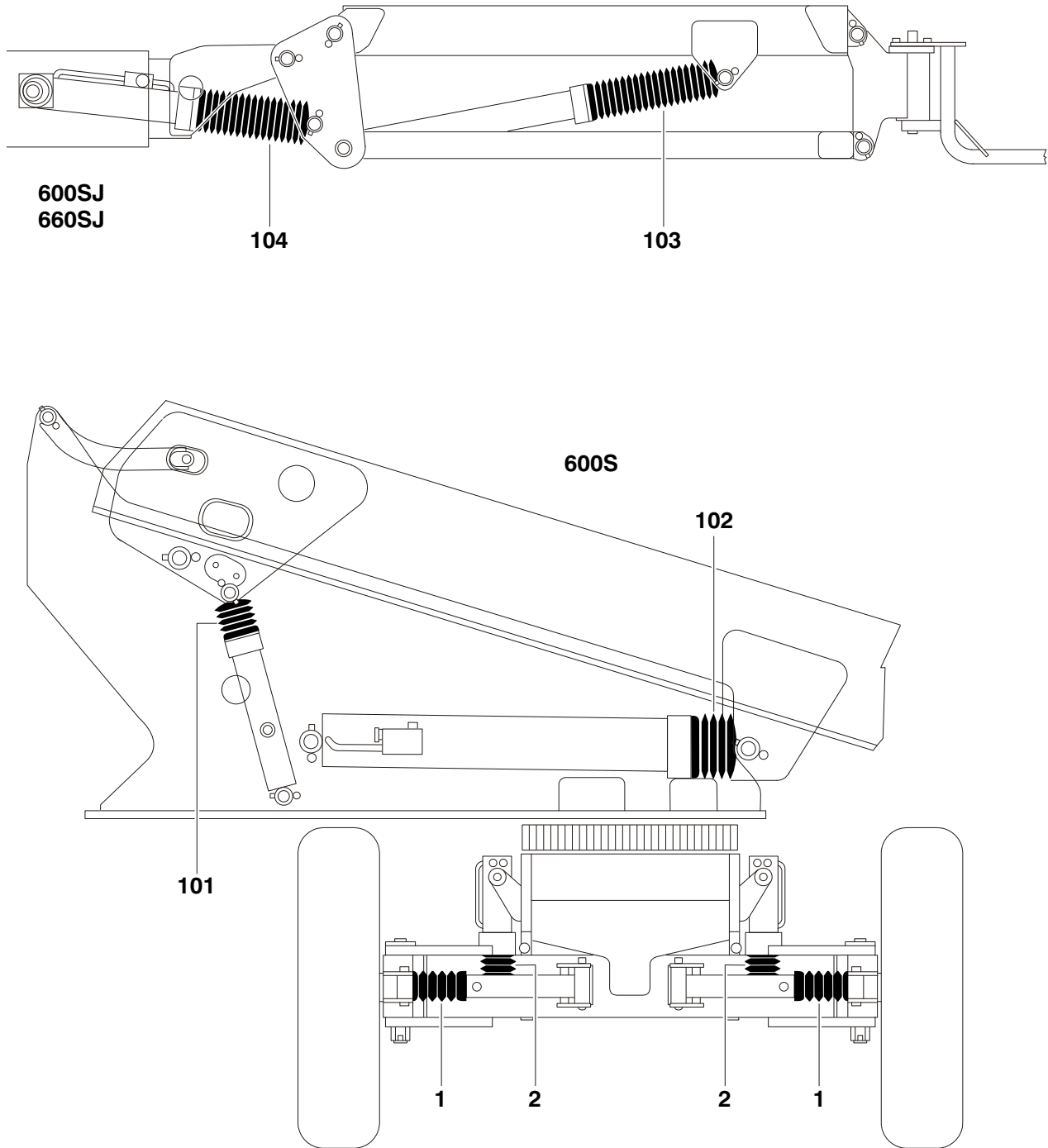
FIGURE 5-9. TELESCOPE CYLINDER ASSEMBLIES

ITEM #	PART NUMBER	QTY.	DESCRIPTION	REV.
		Ref	TELESCOPE CYLINDER ASSEMBLIES	
	1683618	Ref	600S & 660SJ	3/D
	1683620	Ref	600SJ	2/C
1		1	Barrel Options:	
	1683619		600S & 660SJ	
	1683621		600SJ	
2		1	Rod Options:	
	1683250		600S & 660SJ	
	1683359		600SJ	
3	1683057	1	Head	
4	3480205	1	Piston	
5	0961897	1	Bushing, Tapered	
6	4566644	1	Spacer, Tube	
7	4641028	1	Valve Assembly Options: (No serviceable parts - sold as assembly only)	
	7024397	2	O-Rings Between Valve Block & Cylinder	
8	2220885	6	Plug, O-Ring	
9	3931620	8	Capscrew 3/8in-16NC x 1-1/4in	
10	3760369	1	Ring, Washer	
11	3931448	4	Capscrew 1/4in-20NC x 3in	
12	3931508	1	Capscrew 5/16in-18NC x 1/2in	
13	Use 2901284	1	Wiper	
14	Use 2901284	1	Seal, Rod	
15	Use 2901284	1	O-Ring	
16	Use 2901284	1	Ring, Back-up	
17	Use 2901284	2	Ring, Wear	
18	Use 2901284	1	O-Ring	
19	Use 2901284	2	Ring, Back-up	
20	Use 2901284	1	T-Seal	
21	Use 2901284	2	Ring, Wear	
22	0100011	AR	Compound, Locking	
23	0100038	AR	Primer, Locking	
24	Not Used			
25	0630535	3	Bolt 1/4in-20NC x 1-1/8in	

100	2901284	1	Seal Kit (Includes Items 13-21)	

SECTION 5 CYLINDER

FIGURE 5-10. CYLINDER BELLOWS INSTALLATION (OPTIONAL)



SECTION 5 CYLINDER

FIGURE 5-10. CYLINDER BELLOWS INSTALLATION (OPTIONAL)

ITEM #	PART NUMBER	QTY.	DESCRIPTION	REV.
		Ref	BELLOWS INSTALLATION - FRAME	
	0255353	Ref	2WS With Oscillating Axle	
	0255354	Ref	2WS With Fixed Axle	
	0255355	Ref	4WS With Oscillating Axle	
	0255356	Ref	4WS With Fixed Axle	
1	0460150	AR	Bellows, Cylinder (1 Per Steer Cylinder)	
2	0460158	AR	Bellows, Cylinder (1 Per Lockout Cylinder)	
	0255929	Ref	BELLOWS INSTALLATION - BOOM (600S)	
101	0460152	1	Bellows, Cylinder (Master Cylinder)	
102	0460153	1	Bellows, Cylinder (Lift Cylinder)	
103	Not Required			
104	0460152	1	Bellows, Cylinder (Platform Level Cylinder)	
	0255930	Ref	BELLOWS INSTALLATION - BOOM (600SJ & 660SJ)	
101	0460151	1	Bellows, Cylinder (Master Cylinder)	
102	0460153	1	Bellows, Cylinder (Lift Cylinder)	
103	0460161		Bellows, Cylinder (Articulating Jib Lift Cylinder)	
104	0460160	1	Bellows, Cylinder (Platform Level Cylinder)	

SECTION 5 CYLINDER

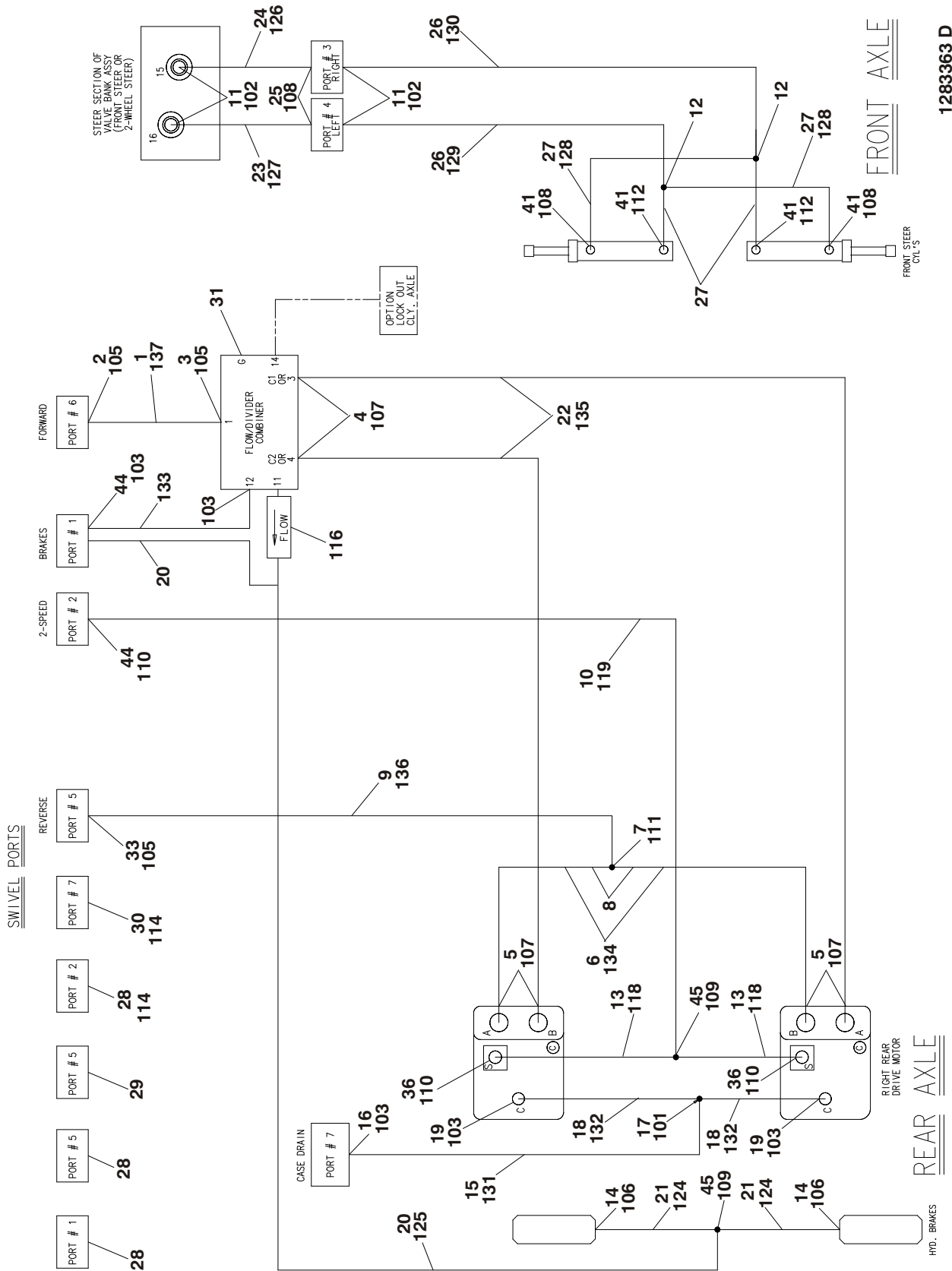
FIGURE 5-10. CYLINDER BELLOWS INSTALLATION (OPTIONAL) (CONTINUED)

ITEM #	PART NUMBER	QTY.	DESCRIPTION	REV.

SECTION 6 HYDRAULIC

SECTION 6 HYDRAULIC

FIGURE 6-1. HYDRAULIC DIAGRAM - DRIVE & STEER (2WD/2WS)



1283363 D

SECTION 6 HYDRAULIC

FIGURE 6-1. HYDRAULIC DIAGRAM - DRIVE & STEER (2WD/2WS)

ITEM #	PART NUMBER	QTY.	DESCRIPTION	REV.
		Ref	DRIVE & STEER HYDRAULIC DIAGRAM - 2WD/2WS	
	2792184	Ref	Machines SN 0300068000 to SN 0300075606	3
1	2752322	1	Hose	
2	2220646	1	Fitting, 90	
3	2220377	2	Fitting, Straight	
4	2220568	2	Fitting, 45	
5	2220465	4	Fitting, Straight	
6	2752245	2	Hose	
7	2220363	1	Fitting, Tee	
8	2220710	2	Fitting, Reducer	
9	2752345	1	Hose	
10	2751016	1	Hose	
11	2220371	4	Fitting, Straight	
12	2220490	2	Fitting, Tee	
13	2751013	2	Hose	
14	2220466	1	Fitting, 90	
15	2752812	1	Hose	
16	2220375	1	Fitting, Straight	
17	2220362	1	Fitting, Tee	
18	2752807	2	Hose	
19	2220671	2	Fitting, 90	
20	2752584	1	Hose	
21	2752592	2	Hose	
22	2752258	2	Hose	
23	2752632	1	Hose	
24	2752478	1	Hose	
25	2220473	2	Fitting, 90	
26	2752462	2	Hose	
27	2752963	4	Hose	
28	2220237	3	Fitting, O-Ring Plug	
29	2220242	1	Fitting, O-Ring Plug	
30	2220240	1	Fitting, O-Ring Plug	
31	2220235	1	Fitting, O-Ring Plug	
32	Not Used			
33	2220365	1	Fitting, 45	
34 to 35	Not Used			
36	2220502	2	Fitting, 45	
37 to 40	Not Used			
41	2220473	4	Fitting, 90	
42 to 43	Not Used			
44	2220582	2	Fitting, Straight	
45	2220504	2	Fitting, Tee	
	2792616	Ref	Machines SN 0300075606 to SN 0300087000	2
101	2220362	1	Fitting, Tee	
102	2220371	4	Fitting, Straight	
103	2220373	5	Fitting, Straight	
104	Not Used			
105	2220377	3	Fitting, Straight	

SECTION 6 HYDRAULIC

FIGURE 6-1. HYDRAULIC DIAGRAM - DRIVE & STEER (2WD/2WS) (CONTINUED)

ITEM #	PART NUMBER	QTY.	DESCRIPTION	REV.
106	2220415	2	Fitting, Straight	
107	2220451	6	Fitting, Straight	
108	2220473	4	Fitting, 90	
109	2220504	2	Fitting, Tee	
110	2220582	3	Fitting, Straight	
111	2221170	1	Fitting, Tee	
112	2220606	2	Fitting, Tee	
113	Not Used			
114	2220307	2	Fitting, Plug	
115	Not Used			
116	4641307	1	Valve, Check	
117	Not Used			
118	2753925	2	Hose	
119	2753924	1	Hose	
120 to 123	Not Used			
124	2752592	2	Hose	
125	2752910	1	Hose	
126	2752478	1	Hose	
127	2752632	1	Hose	
128	2753397	2	Hose	
129	2752475	1	Hose	
130	2752611	1	Hose	
131	2752928	1	Hose	
132	2753929	2	Hose	
133	2752929	1	Hose	
134	2753969	2	Hose	
135	2753967	2	Hose	
136	2752341	1	Hose	
137	2753435	1	Hose	

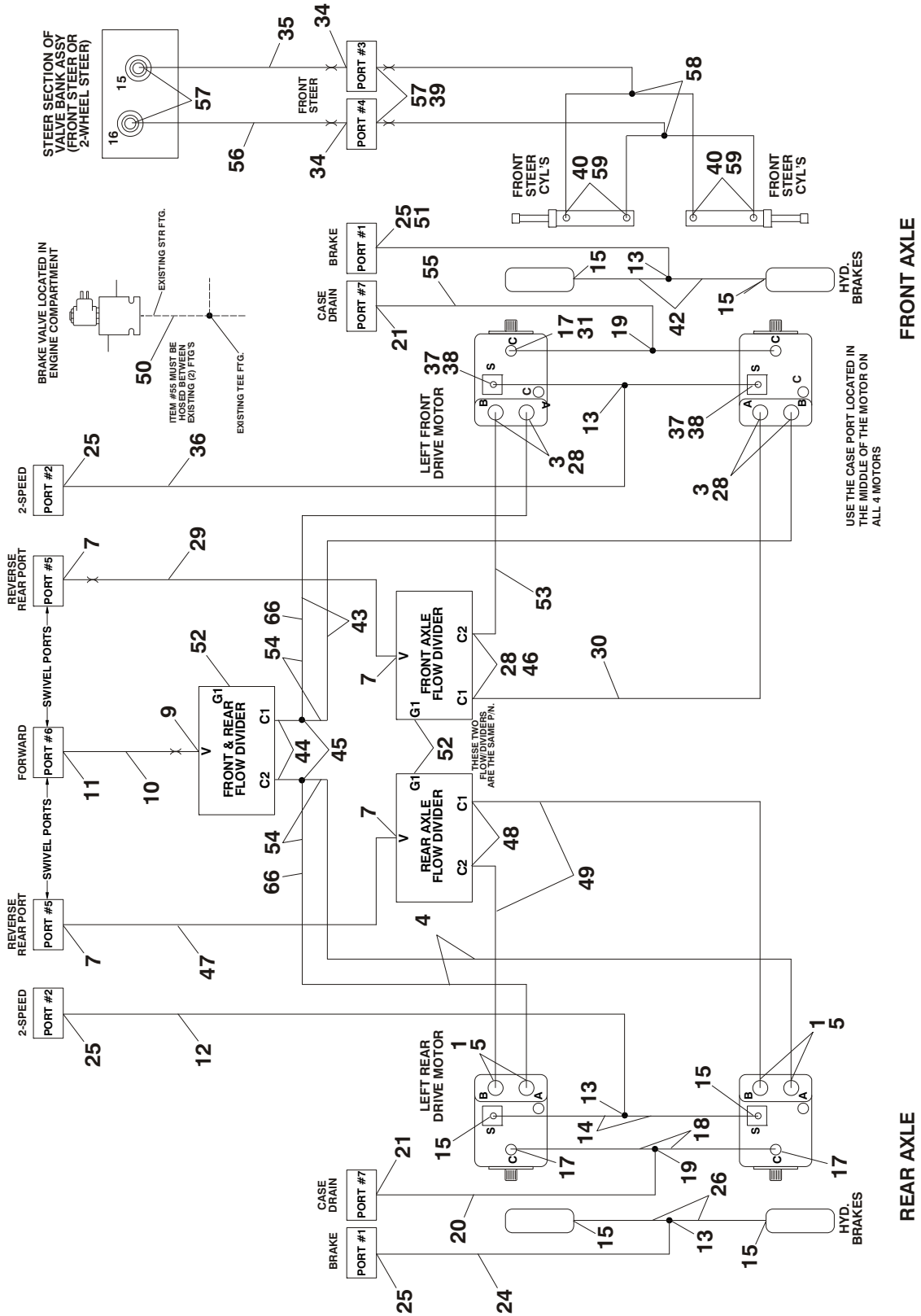
SECTION 6 HYDRAULIC

FIGURE 6-1. HYDRAULIC DIAGRAM - DRIVE & STEER (2WD/2WS) (CONTINUED)

ITEM #	PART NUMBER	QTY.	DESCRIPTION	REV.

SECTION 6 HYDRAULIC

FIGURE 6-2. HYDRAULIC DIAGRAM - DRIVE & STEER (4WD/2WS) (SN 0300068000 TO SN 0300075606)



SECTION 6 HYDRAULIC

FIGURE 6-2. HYDRAULIC DIAGRAM - DRIVE & STEER (4WD/2WS) (SN 0300068000 TO SN 0300075606)

ITEM #	PART NUMBER	QTY.	DESCRIPTION	REV.
	2792186	Ref	DRIVE & STEER HYDRAULIC DIAGRAM - 4WD/2WS	8
1	2220465	4	Fitting, 90	
2	Not Used			
3	2220500	4	Fitting, 45	
4	2752398	2	Hose	
5	2220622	4	Fitting, Reducer	
6	Not Used			
7	2220435	4	Fitting, Straight	
8	Not Used			
9	2220377	1	Fitting, Straight	
10	2752322	1	Hose	
11	2220646	1	Fitting, 90	
12	2751016	1	Hose	
13	2220504	4	Fitting, Tee	
14	2751013	2	Hose	
15	2220466	6	Fitting, 90	
16	Not Used			
17	2220671	4	Fitting, 90	
18	2752807	2	Hose	
19	2220362	2	Fitting, Tee	
20	2752812	1	Hose	
21	2220375	2	Fitting, Straight	
22 to 23	Not Used			
24	2752584	1	Hose	
25	2220582	4	Fitting, Straight	
26	2752592	2	Hose	
27	Not Used			
28	2220833	6	Fitting, Reducer	
29	2752256	1	Hose	
30	2752888	1	Hose	
31	2752898	2	Hose	
32 to 33	Not Used			
34	2220472	2	Fitting, 90	
35	2752478	1	Hose	
36	2751021	1	Hose	
37	2752918	2	Hose	
38	2220502	2	Fitting, 45	
39	2752462	2	Hose	
40	2752963	4	Hose	
41	Not Used			
42	2752909	2	Hose	
43	2752889	2	Hose	
44	2220550	2	Fitting, Reducer	
45	2220738	2	Fitting, Tee	
46	2220596	2	Fitting, 90	
47	2752249	1	Hose	
48	2220800	2	Fitting, Straight	

SECTION 6 HYDRAULIC

FIGURE 6-2. HYDRAULIC DIAGRAM - DRIVE & STEER (4WD/2WS) (SN 0300068000 TO SN 0300075606) (CONTINUED)

ITEM #	PART NUMBER	QTY.	DESCRIPTION	REV.
49	2752389	2	Hose	
50	2220914	1	Orifice (.043)	
51	2752443	1	Hose	
52	2220235	3	Plug #4	
53	2752893	1	Hose	
54	2220622	4	Fitting, Reducer	
55	2752810	1	Hose	
56	2752632	1	Hose	
57	2220582	4	Fitting, Straight	
58	2220363	1	Fitting, Tee	
59	2220472	2	Fitting, 90	
60 to 65	Not Required			
66	2220386	2	Fitting, 90	

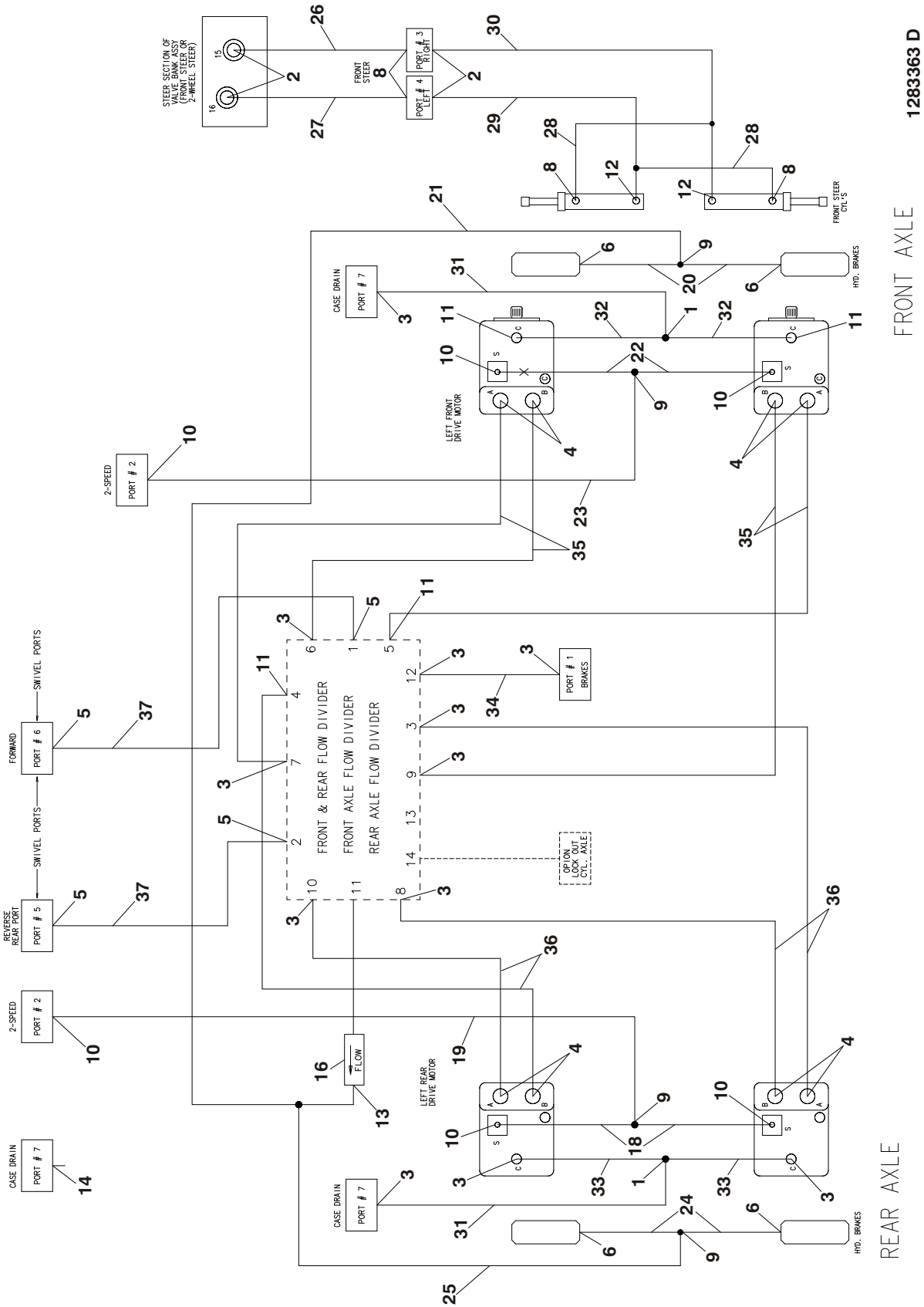
SECTION 6 HYDRAULIC

FIGURE 6-2. HYDRAULIC DIAGRAM - DRIVE & STEER (4WD/2WS) (SN 0300068000 TO SN 0300075606) (CONTINUED)

ITEM #	PART NUMBER	QTY.	DESCRIPTION	REV.

SECTION 6 HYDRAULIC

FIGURE 6-3. HYDRAULIC DIAGRAM - DRIVE & STEER (4WD/2WS) (SN 0300075606 TO SN 0300087000)



FRONT AXLE

REAR AXLE

1283363 D

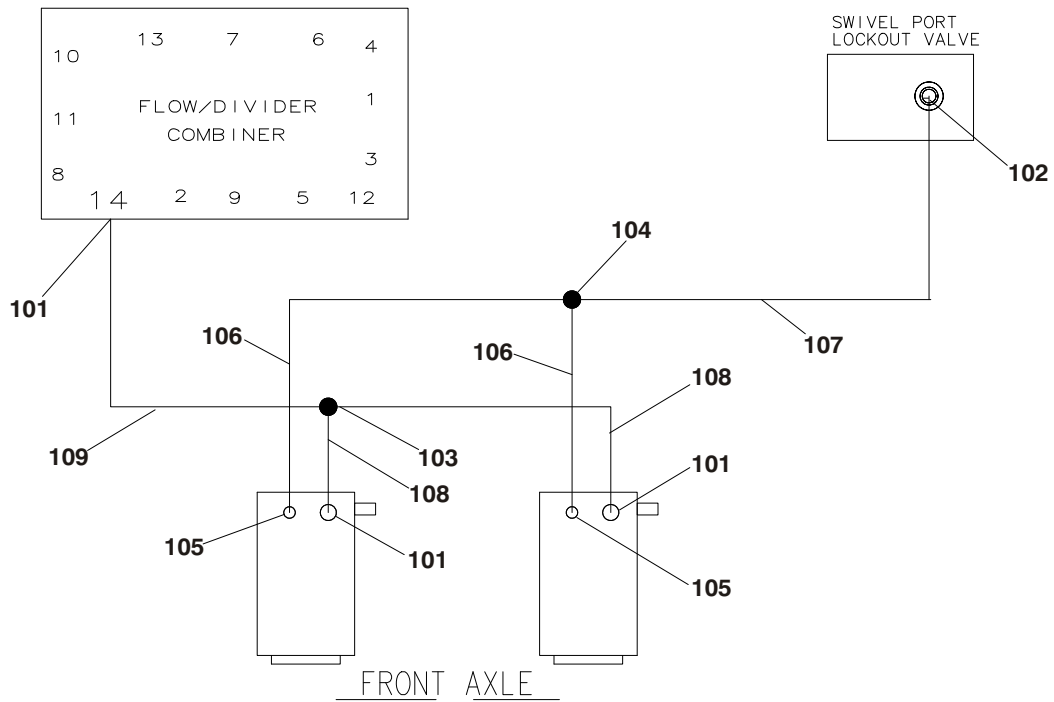
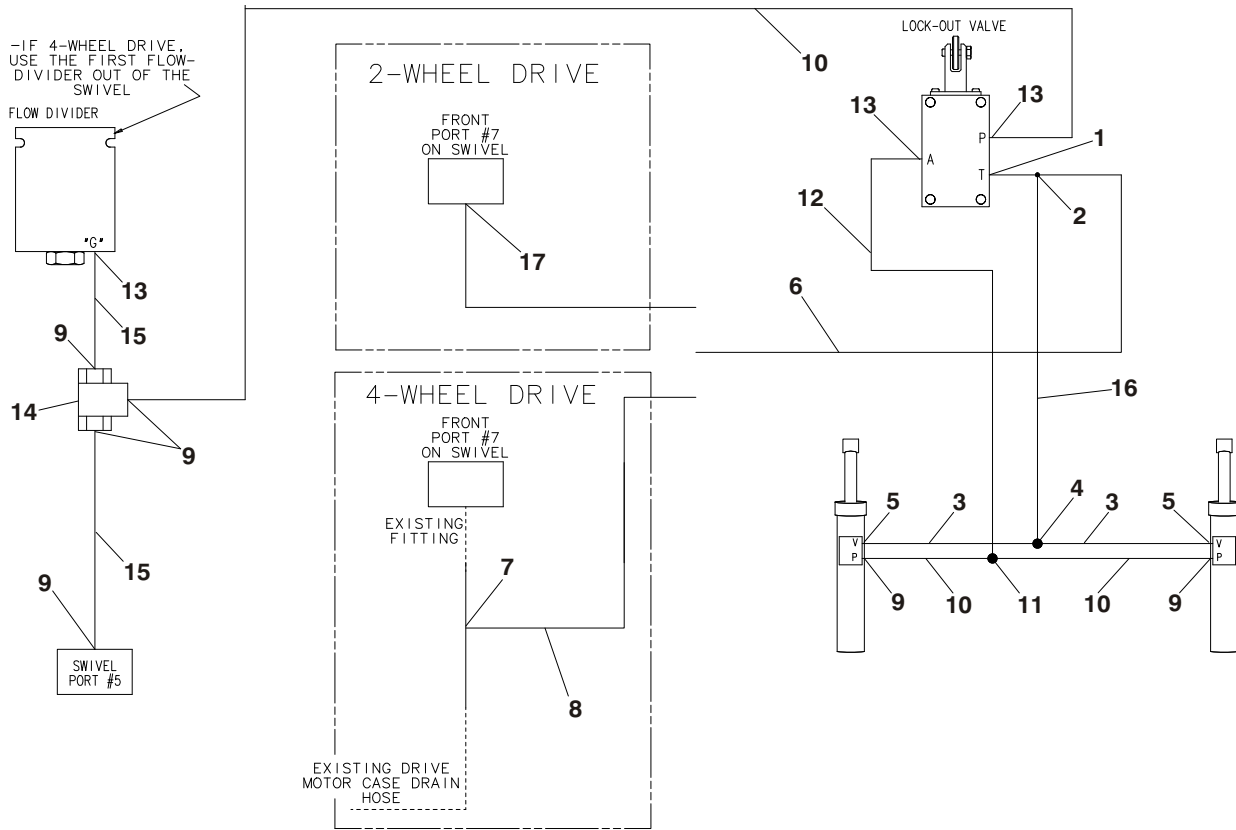
SECTION 6 HYDRAULIC

FIGURE 6-3. HYDRAULIC DIAGRAM - DRIVE & STEER (4WD/2WS) (SN 0300075606 TO SN 0300087000)

ITEM #	PART NUMBER	QTY.	DESCRIPTION	REV.
	2792607	Ref	DRIVE & STEER HYDRAULIC DIAGRAM - 4WD/2WS	3
1	2220362	2	Fitting, Tee	
2	2220371	4	Fitting, Straight	
3	2220373	12	Fitting, Straight	
4	2220375	8	Fitting, Straight	
5	2220377	4	Fitting, Straight	
6	2220415	4	Fitting, Straight	
7	Not Used			
8	2220473	4	Fitting, 90	
9	2220504	4	Fitting, Tee	
10	2220582	6	Fitting, Straight	
11	2220596	4	Fitting, 90	
12	2220606	2	Fitting, Tee	
13	2220861	1	Fitting, Tee	
14	2220237	1	Plug	
15	Not Used			
16	4641284	1	Valve, Check	
17	Not Used			
18	2753925	2	Hose	
19	2753924	1	Hose	
20	2753926	2	Hose	
21	2752909	1	Hose	
22	2752574	2	Hose	
23	2752977	1	Hose	
24	2752592	2	Hose	
25	2752910	1	Hose	
26	2752478	1	Hose	
27	2752632	1	Hose	
28	2753397	2	Hose	
29	2752475	1	Hose	
30	2752611	1	Hose	
31	2752928	2	Hose	
32	2753928	2	Hose	
33	2753929	2	Hose	
34	2752929	1	Hose	
35	2753931	4	Hose	
36	2753930	4	Hose	
37		2	Hose Options:	
	2753435		SN 0300075606 to SN 0300081124	
	2752331		SN 0300081124 to SN 0300087000	

SECTION 6 HYDRAULIC

FIGURE 6-4. HYDRAULIC DIAGRAM - OSCILLATING AXLE



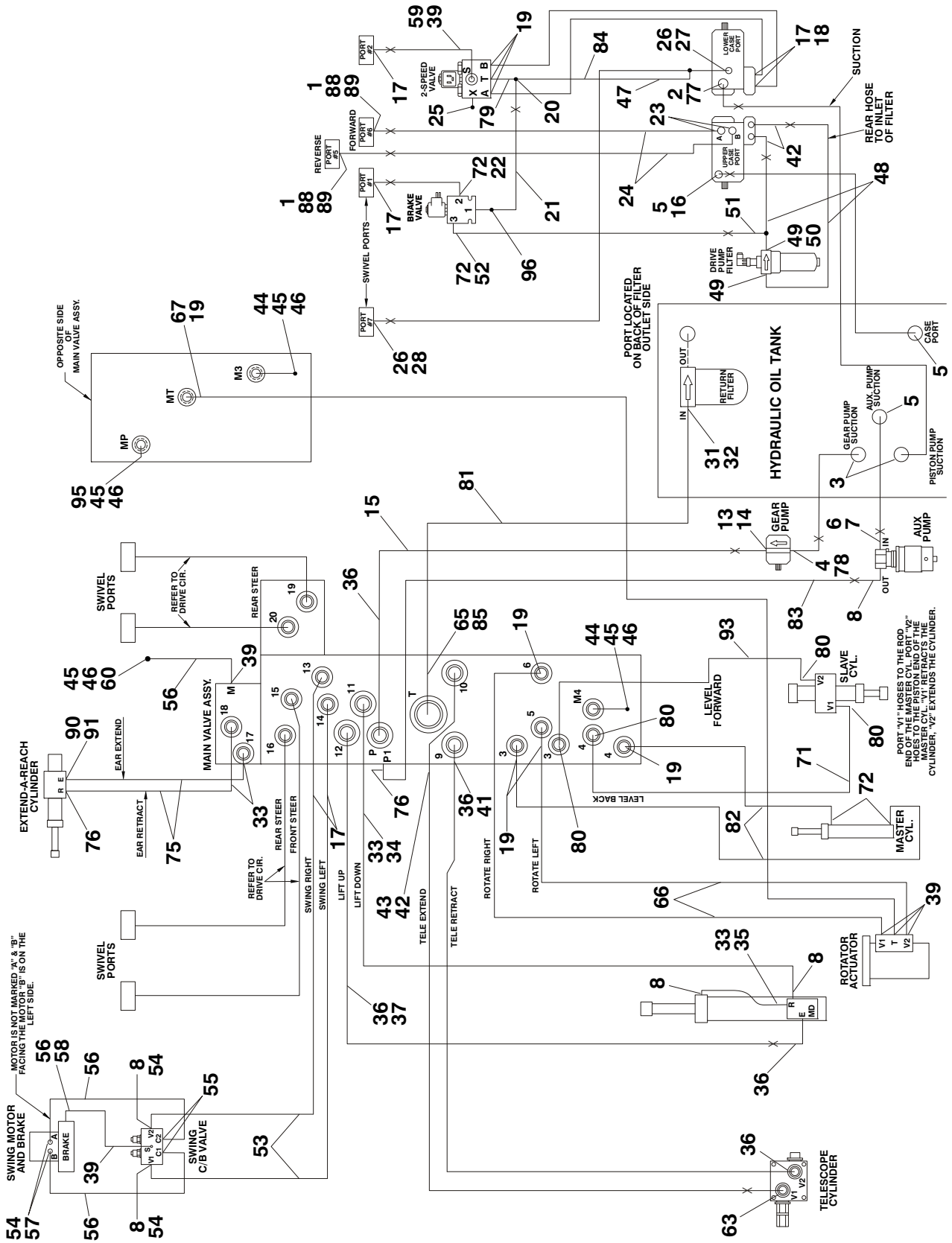
SECTION 6 HYDRAULIC

FIGURE 6-4. HYDRAULIC DIAGRAM - OSCILLATING AXLE

ITEM #	PART NUMBER	QTY.	DESCRIPTION	REV.
		Ref	AXLE LOCKOUT HYDRAULIC DIAGRAM - OSCILLATING AXLE	
	2792204	Ref	Machines SN 0300068000 to SN 0300075606	3
1	2220603	1	Fitting, Straight	
2	2220635	1	Fitting, Tee	
3	2752822	2	Hose	
4	2220490	1	Fitting, Tee	
5	2220371	2	Fitting, Straight	
6	2752823	1	Hose	
7	2220385	1	Fitting, Tee	
8	2220619	1	Fitting, Reducer	
9	2220582	6	Fitting, Straight	
10	2751397	3	Hose	
11	2220504	1	Fitting, Tee	
12	2751015	1	Hose	
13	2220415	3	Fitting, Straight	
14	4640939	1	Valve, Shuttle	
15	2751020	2	Hose	
16	2752824	1	Hose	
17	2220577	1	Fitting, Straight	
	2792612	Ref	Machines SN 0300075606 to SN 0300087000	1
101	2220371	3	Fitting, Straight	
102	2220468	1	Fitting, Straight	
103	2220490	1	Fitting, Tee	
104	2220504	1	Fitting, Tee	
105	2220415	2	Fitting, Straight	
106	2751434	2	Hose	
107	2751410	1	Hose	
108	2753933	2	Hose	
108	2752462	1	Hose	

SECTION 6 HYDRAULIC

FIGURE 6-5. HYDRAULIC DIAGRAM - STANDARD (SN 0300068000 TO SN 0300075606)



SECTION 6 HYDRAULIC

FIGURE 6-5. HYDRAULIC DIAGRAM - STANDARD (SN 0300068000 TO SN 0300075606)

ITEM #	PART NUMBER	QTY.	DESCRIPTION	REV.
		Ref	STANDARD HYDRAULIC DIAGRAM	
	2792179	Ref	600S	21
	2792181	Ref	600SJ	19
	2792180	Ref	660SJ	21
1	2220377	2	Fitting, Straight	
2	2752752	1	Hose	
3	2220380	2	Fitting, Straight	
4	2220376	1	Fitting, Straight	
5	2220578	3	Fitting, 90	
6	2752653	1	Hose	
7	2220408	1	Fitting, Straight	
8	2220628	5	Fitting, 90	
9 to 12	Not Used			
13	2220810	1	Fitting, Reducer	
14	4640744	1	Fitting, Check Valve	
15	2752504	1	Hose	
16	2752654	1	Hose	
17	2220582	AR	Fitting, Straight	
18	2751427	2	Hose	
19	2220415	AR	Fitting, Straight	
20	2220605	1	Fitting, Tee	
21	2752573	1	Hose	
22	2752594	1	Hose	
23	2220646	2	Fitting, 90	
24	2752340	2	Hose	
25	2220235	1	Fitting, Plug	
26	2220375	2	Fitting, Straight	
27	2220385	1	Fitting, Tee	
28	2752514	1	Hose	
29 to 30	Not Used			
31	2220921	1	Fitting, Reducer	
32	2220498	1	Fitting, 45	
33	2220372	AR	Fitting, Straight	
34	2752631	1	Hose	
35	2752632	1	Hose	
36	2220373	5	Fitting, Straight	
37	2752515	1	Hose	
38	2752587	1	Hose (SN 0300068000 to SN 0300070975)	
39	2220466	AR	Fitting, 90	
40	2220596	2	Fitting, 90 (SN 0300068000 to SN 0300070975)	
41		1	Hose Options: SN 0300068000 to SN 0300070975 SN 0300070975 to SN 0300087000	
	2752516			
	2751474			
42	2220947	3	Fitting, Straight	
43	2752762	1	Hose	
44	2220873	AR	Fitting, Straight Nipple	
45	2220428	AR	Fitting, Quick Coupling	
46	2220429	AR	Fitting, Dust Cap	

SECTION 6 HYDRAULIC

FIGURE 6-5. HYDRAULIC DIAGRAM - STANDARD (SN 0300068000 TO SN 0300075606)

ITEM #	PART NUMBER	QTY.	DESCRIPTION	REV.
47	2220618	1	Fitting, Reducer	
48	2752763	2	Hose	
49	2220906	2	Fitting, 90	
50	2220948	1	Fitting, Tee	
51	2220618	1	Fitting, Reducer	
52	2752580	1	Hose	
53	2752588	2	Hose	
54	2220609	4	Fitting, Reducer	
55	2220468	2	Fitting, Straight	
56	2752981	AR	Hose	
57	2220497	2	Fitting, Straight	
58	2220502	1	Fitting, 45	
59	2751396	1	Hose	
60		AR	Fitting, Straight Options: 600S/660SJ 600SJ	
	2220414			
	Not Required			
61	2752433	1	Hose (SN 0300068000 to SN 0300070975)	
62	2220462	1	Fitting, 90 (SN 0300068000 to SN 0300070975)	
63	2220950	1	Fitting, 45	
64	2752517	1	Hose (SN 0300068000 to SN 0300070975)	
65	2220974	1	Fitting, Long Straight	
66		2	Hose Options: 600S & 600SJ 660SJ	
	2752598			
	2752596			
67		1	Hose Options: 600S & 600SJ 660SJ	
	2752599			
	2752597			
68 to 70	Not Used			
71		AR	Hose Options: 600S & 660SJ 600SJ	
	2752633			
	2751868			
72	2220472	4	Fitting, 90	
73 to 74	Not Used			
75		2	Hose Options: 660SJ 600SJ	
	2752633			
	2753048			
76	2220473	AR	Fitting, 90	
77	2220479	1	Fitting, Straight	
78	2752753	1	Hose	
79	2220909	1	Fitting, Restrictor	
80	2220603	4	Fitting, Straight	
81	2752783	1	Hose	
82	2752591	2	Hose	
83	2752643	1	Hose	
84	2752981	1	Hose	
85	2220409	1	Fitting, 45	
86	Not Used			
87	2220574	1	Fitting, Straight (SN 0300068000 to SN 0300070975)	
88	0100011	AR	Compound, Locking	

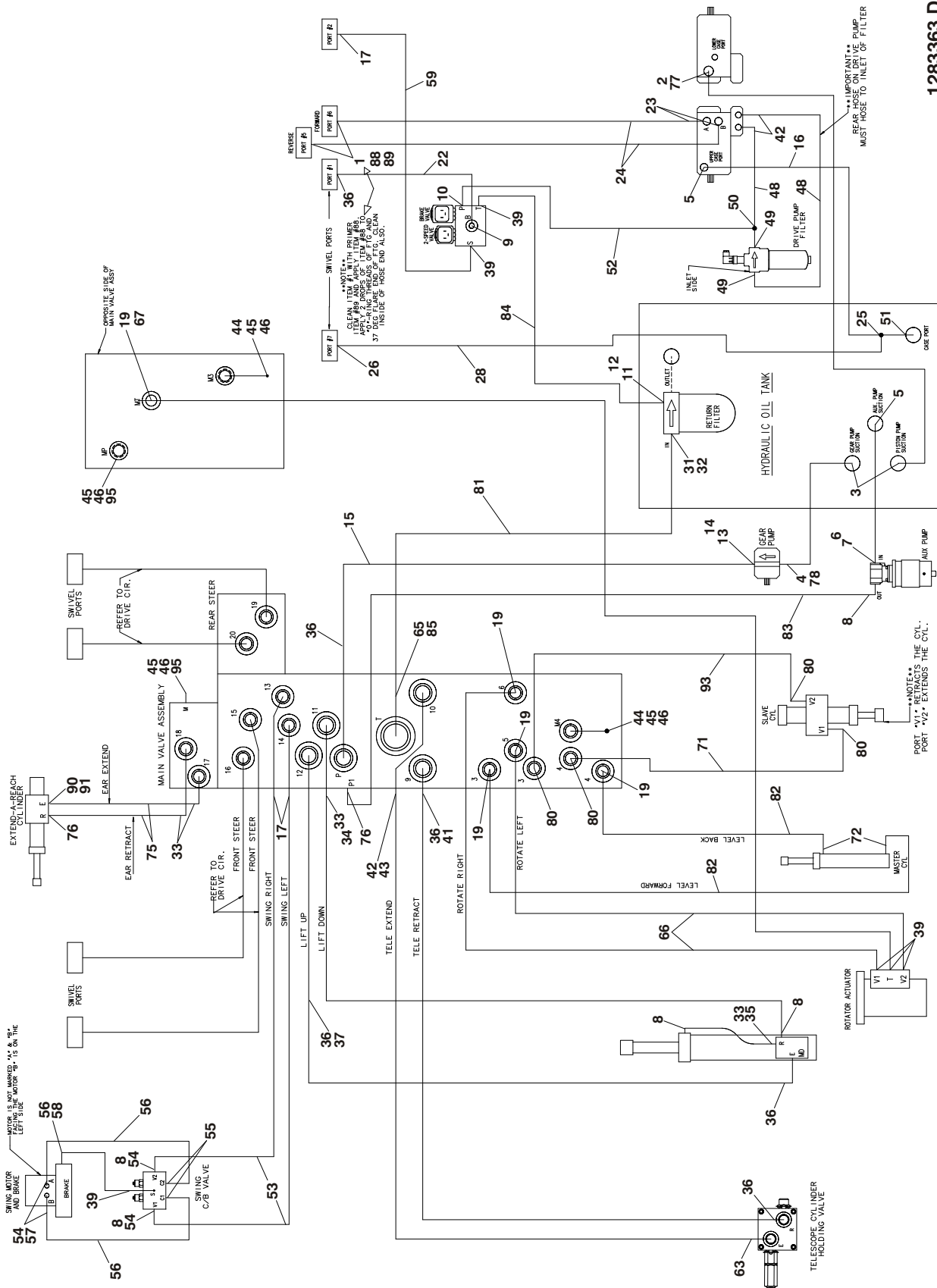
SECTION 6 HYDRAULIC

FIGURE 6-5. HYDRAULIC DIAGRAM - STANDARD (SN 0300068000 TO SN 0300075606)

ITEM #	PART NUMBER	QTY.	DESCRIPTION	REV.
89	0100038	AR	Loctite, Primer	
90	2180724	1	Fitting, 90 (600SJ & 660SJ Only)	
91	2180380	1	Fitting, Pipe Plug (600SJ & 660SJ Only)	
92	1703533	1	Decal - Hose Tags (Not Shown)	
93	2753083	1	Hose (600SJ & 660SJ Only)	
94	4240018	7	Tie-Strap (Not Shown)	
95	2220873	1	Fitting, Nipple	
96	2220914	1	Fitting, Restrictor	

SECTION 6 HYDRAULIC

FIGURE 6-6. HYDRAULIC DIAGRAM - STANDARD (SN 0300075606 TO SN 0300087000)



1283363 D

SECTION 6 HYDRAULIC

FIGURE 6-6. HYDRAULIC DIAGRAM - STANDARD (SN 0300075606 TO SN 0300087000)

ITEM #	PART NUMBER	QTY.	DESCRIPTION	REV.
		Ref	STANDARD HYDRAULIC DIAGRAM	
	2792608	Ref	600S	6
	2792614	Ref	600SJ	5
	2792613	Ref	660SJ	4
1	2220377	2	Fitting, Straight	
2	2752752	1	Hose	
3	2220380	2	Fitting, Straight	
4	2220376	1	Fitting, Straight	
5	2220578	2	Fitting, 90	
6	2752653	1	Hose	
7	2220408	1	Fitting, Straight	
8	2220628	5	Fitting, 90	
9	2220596	1	Fitting, 90	
10	2220474	1	Fitting, 90	
11	2220574	1	Fitting, 90	
12	0100020	AR	Sealant, Pipe	
13	2220810	1	Fitting, Reducer	
14	4640744	1	Fitting, Check Valve	
15	2752504	1	Hose	
16	2752654	1	Hose	
17	2220582	3	Fitting, Straight	
18	Not Used			
19	2220415	5	Fitting, Straight	
20 to 21	Not Used			
22	2752502	1	Hose	
23	2220646	2	Fitting, 90	
24	2752340	2	Hose	
25	2220407	1	Fitting, 90	
26	2220375	1	Fitting, Straight	
27	Not Used			
28	2753968	1	Hose	
29 to 30	Not Used			
31	2220921	1	Fitting, Reducer	
32	2220498	1	Fitting, 45	
33	2220372	AR	Fitting, Straight	
34	2752631	1	Hose	
35	2752632	1	Hose	
36	2220373	6	Fitting, Straight	
37	2752515	1	Hose	
38	Not Used			
39	2220466	6	Fitting, 90	
40	Not Used			
41	2751474	1	Hose	
42	2220947	3	Fitting, Straight	
43	2752762	1	Hose	
44	2220873	2	Fitting, Straight Nipple	
45	2220428	AR	Fitting, Quick Coupling	
46	2220429	AR	Fitting, Dust Cap	

SECTION 6 HYDRAULIC

FIGURE 6-6. HYDRAULIC DIAGRAM - STANDARD (SN 0300075606 TO SN 0300087000)

ITEM #	PART NUMBER	QTY.	DESCRIPTION	REV.
47	2220618	1	Fitting, Reducer	
48	2752763	2	Hose	
49		2	Fitting, 90 Options:	
	2220906		SN 0300075606 to SN 0300084827	
	2221042		SN 0300084827 to SN 0300087000	
50	2220948	1	Fitting, Tee	
51	2220738	1	Fitting, Tee	
52	2753957	1	Hose	
53	2752588	2	Hose	
54	2220609	AR	Fitting, Reducer	
55	2220468	2	Fitting, Straight	
56	2752981	3	Hose	
57	2220497	2	Fitting, Straight	
58	2220502	1	Fitting, 45	
59	2751396	1	Hose	
60 to 62	Not Used			
63	2220950	1	Fitting, 45	
64	Not Used			
65	2220974	1	Fitting, Long Straight	
66		2	Hose Options:	
	2752598		600S & 600SJ	
	2752596		660SJ	
67		1	Hose Options:	
	2752599		600S & 600SJ	
	2752597		660SJ	
68 to 70	Not Used			
71		AR	Hose Options:	
	2752633		600S & 660SJ	
	2751868		600SJ (SN 0300075606 to SN 0300087912)	
	2753048		600SJ (SN 0300087912 to SN 0300087000)	
72	2220472	AR	Fitting, 90	
73 to 74	Not Used			
75		AR	Hose Options:	
	Not Required	0	600S	
	2753048	2	600SJ	
	2752633		660SJ	
76	2220473	AR	Fitting, 90	
77	2220479	1	Fitting, Straight	
78	2752753	1	Hose	
79	Not Used			
80	2220603	4	Fitting, Straight	
81	2752783	1	Hose	
82	2752591	2	Hose	
83	2752643	1	Hose	
84	2753325	1	Hose	
85	2220409	1	Fitting, 45	
86 to 87	Not Used			
88	0100011	AR	Compound, Locking	
89	0100038	AR	Loctite, Primer	

SECTION 6 HYDRAULIC

FIGURE 6-6. HYDRAULIC DIAGRAM - STANDARD (SN 0300075606 TO SN 0300087000)

ITEM #	PART NUMBER	QTY.	DESCRIPTION	REV.
90	2180724	1	Fitting, 90 (600SJ & 660SJ Only)	
91	2180380	1	Fitting, Pipe Plug (600SJ & 660SJ Only)	
92	1703533	2	Decal - Hose Tags (Not Shown)	
93		1	Hose Options:	
	2752633		600S & 660SJ	
	2752633		600SJ (SN 0300075606 to SN 0300087912)	
	2753048		600SJ (SN 0300087912 to SN 0300087000)	
94	4240018	7	Tie-Strap (Not Shown)	
95	2220873	1	Fitting, Nipple	

SECTION 6 HYDRAULIC

FIGURE 6-7. HYDRAULIC DIAGRAM LIST

ITEM #	PART NUMBER	QTY.	DESCRIPTION	REV.
		Ref	Note: Diagrams with asterisk (*) are shown in the preceding pages. Information on diagrams not shown is available from JLG service/parts departments.	
		Ref	Drive & Steer Hydraulic Diagrams:	
		Ref	SN 0300068000 to SN 0300075606	
	2792184*	Ref	2WD/2WS Machines	
	2792185	Ref	2WD/4WS Machines	
	2792186*	Ref	4WD/2WS Machines	
	2792187	Ref	4WD/4WS Machines	
		Ref	SN 0300075606 to SN 0300087000	
	2792616*	Ref	2WD/2WS Machines	
	2792617	Ref	2WD/4WS Machines	
	2792607*	Ref	4WD/2WS Machines	
	2792615	Ref	4WD/4WS Machines	
		Ref	Axle Lockout Hydraulic Diagram	
	2792204*	Ref	SN 0300068000 to SN 0300075606	
	2792612*	Ref	SN 0300075606 to SN 0300087000	
		Ref	Loop Flushing Hydraulic Diagram	
	2792660	Ref	2WD	
	2792659	Ref	4WD	
		Ref	Oil Cooler Hydraulic Diagrams:	
	0256762/1282665	Ref	Deutz Engine	
	0272041/1283309	Ref	Ford Engine	
		Ref	Standard Hydraulic Diagrams:	
		Ref	SN 0300068000 to SN 0300075606	
	2792179/1282380*	Ref	600S	
	2792181/1282380*	Ref	600SJ	
	2792180/1282380*	Ref	660SJ	
		Ref	SN 0300075606 to SN 0300087000	
	2792608/1283363*	Ref	600S	
	2792614/1283363*	Ref	600SJ	
	2792613/1283363*	Ref	660SJ	
		Ref	Standard Hydraulic Schematic	
	2792176	Ref	SN 0300068000 to SN 0300075606	
	2792605	Ref	SN 0300075606 to SN 0300087000	
		Ref	Tool Hydraulic Diagrams:	
	2792325	Ref	600S	
	2792326	Ref	600SJ	
	2792327	Ref	660SJ	

SECTION 6 HYDRAULIC

FIGURE 6-7. HYDRAULIC DIAGRAM LIST (CONTINUED)

ITEM #	PART NUMBER	QTY.	DESCRIPTION	REV.
		Ref	Tow Hydraulic Diagram	
	2792266	Ref	2WS SN 0300068000 to SN 0300075606	
	2792315	Ref	4WS SN 0300068000 to SN 0300075606	
	2792630	Ref	SN 0300075606 to SN 0300087000	

SECTION 6 HYDRAULIC

FIGURE 6-7. HYDRAULIC DIAGRAM LIST (CONTINUED)

ITEM #	PART NUMBER	QTY.	DESCRIPTION	REV.

SECTION 7 ELECTRICAL

SECTION 7 ELECTRICAL

FIGURE 7-1. ELECTRICAL DIAGRAM LIST

ITEM #	PART NUMBER	QTY.	DESCRIPTION	REV.
		Ref	ALARM ELECTRICAL DIAGRAM	
	4933025/1282937	Ref	Motion Alarm	1/A
	4933026/1282937	Ref	Travel Alarm	1/A
		Ref	DRIVE CUT-OUT ELECTRICAL DIAGRAMS	
	4932990/1282828	Ref	Above Elevation	2/B
	4932993/1282828	Ref	Above Elevation Tilt	2/B
	3640493	1	Rail, Mounting	
	4460607	2	Stop, Terminal	
	4120013	1	Socket, Relay	
	3740058	1	Relay 4PDT	
	3740063	1	Spring, Relay	
	4933307	Ref	DRIVE/STEER CUT-OUT ELECTRICAL DIAGRAMS	A
	4932986	Ref	ENGINE LOW OIL SHUTDOWN ELECTRICAL DIAGRAM	2/B
	4933313	Ref	FLOOD LIGHTS ELECTRICAL DIAGRAM	1/A
		Ref	GENERATOR ELECTRICAL DIAGRAMS	
	4933215	Ref	110Volt (SN 0300068000 to SN 0300077490)	1/B
	4933216	Ref	220 Volt (SN 0300068000 to SN 0300077490)	1/B
	4933300	Ref	110/220 Volt (SN 0300077490 to SN 0300087000)	1/A
	4933217	Ref	GLOW PLUG DIAGRAM	B
		Ref	LIGHTS ELECTRICAL DIAGRAM	
	4933219	Ref	Headlight/Tailight & Chassis Illumination Lights Harness	1/B
	4922643	1	Harness (Located in Ground Console Box)	
	3740049	1	Relay	
		Ref	OIL COOLER ELECTRICAL DIAGRAMS	
	0256762/1282665	Ref	Deutz Engine	4/D
	0272041/1283309	Ref	Ford Engine	1/B
	4922509	Ref	PLATFORM ELECTRICAL DIAGRAM	
	4933218	Ref	PLATFORM SOFT TOUCH SYSTEM ELECTRICAL DIAGRAM	1/B
		Ref	PLATFORM WORKLIGHTS ELECTRICAL DIAGRAMS	
	0270814	Ref	SN 0300068000 to SN 0300074441	3/E
	0273486	Ref	600S - SN 0300074441 to SN 0300087000	C
	0273490	Ref	600SJ - SN 0300074441 to SN 0300087000	B
	0273491	Ref	660SJ - SN 0300074441 to SN 0300087000	B
	4933263	Ref	POWER TOOL ELECTRICAL DIAGRAM	1/B

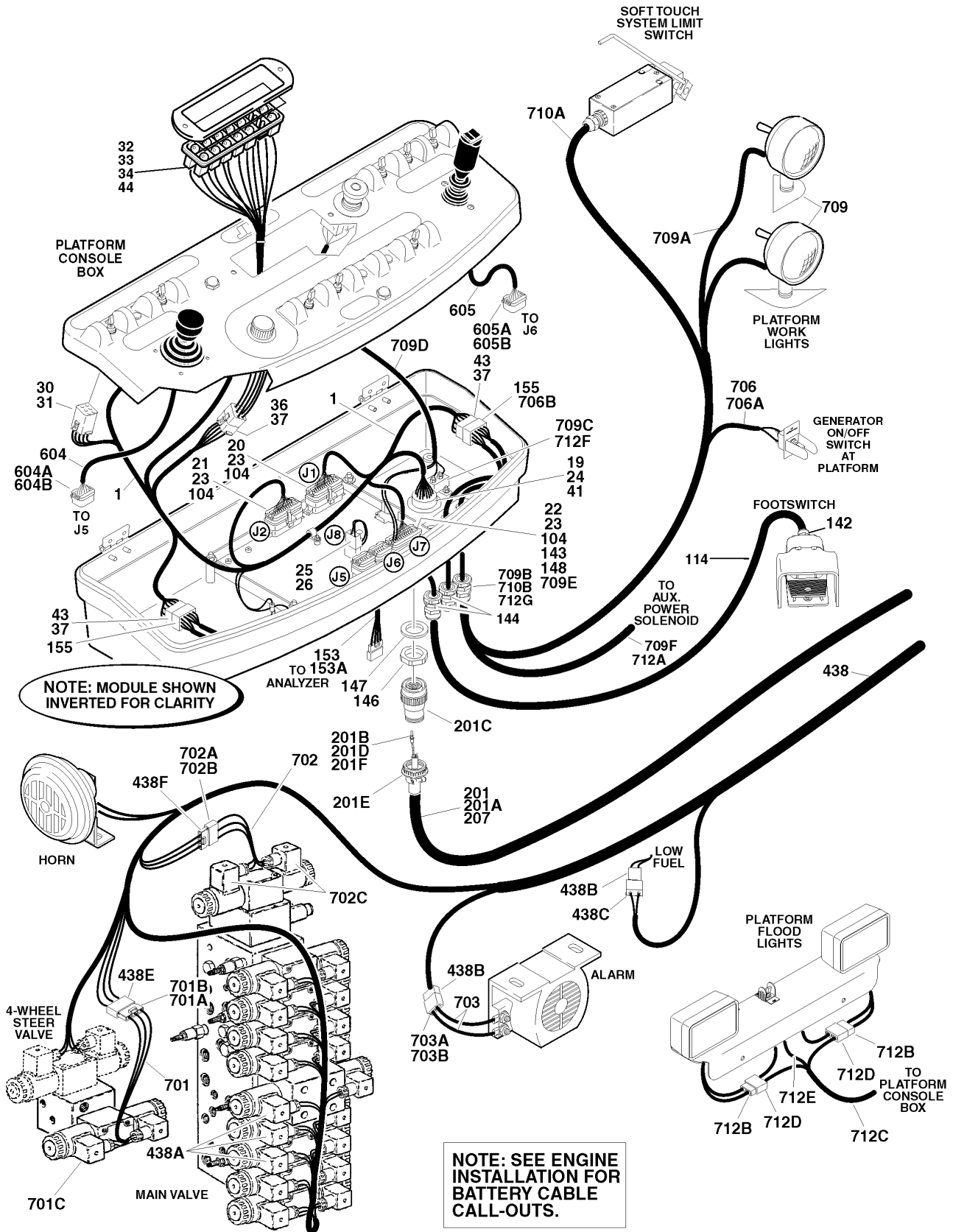
SECTION 7 ELECTRICAL

FIGURE 7-1. ELECTRICAL DIAGRAM LIST (CONTINUED)

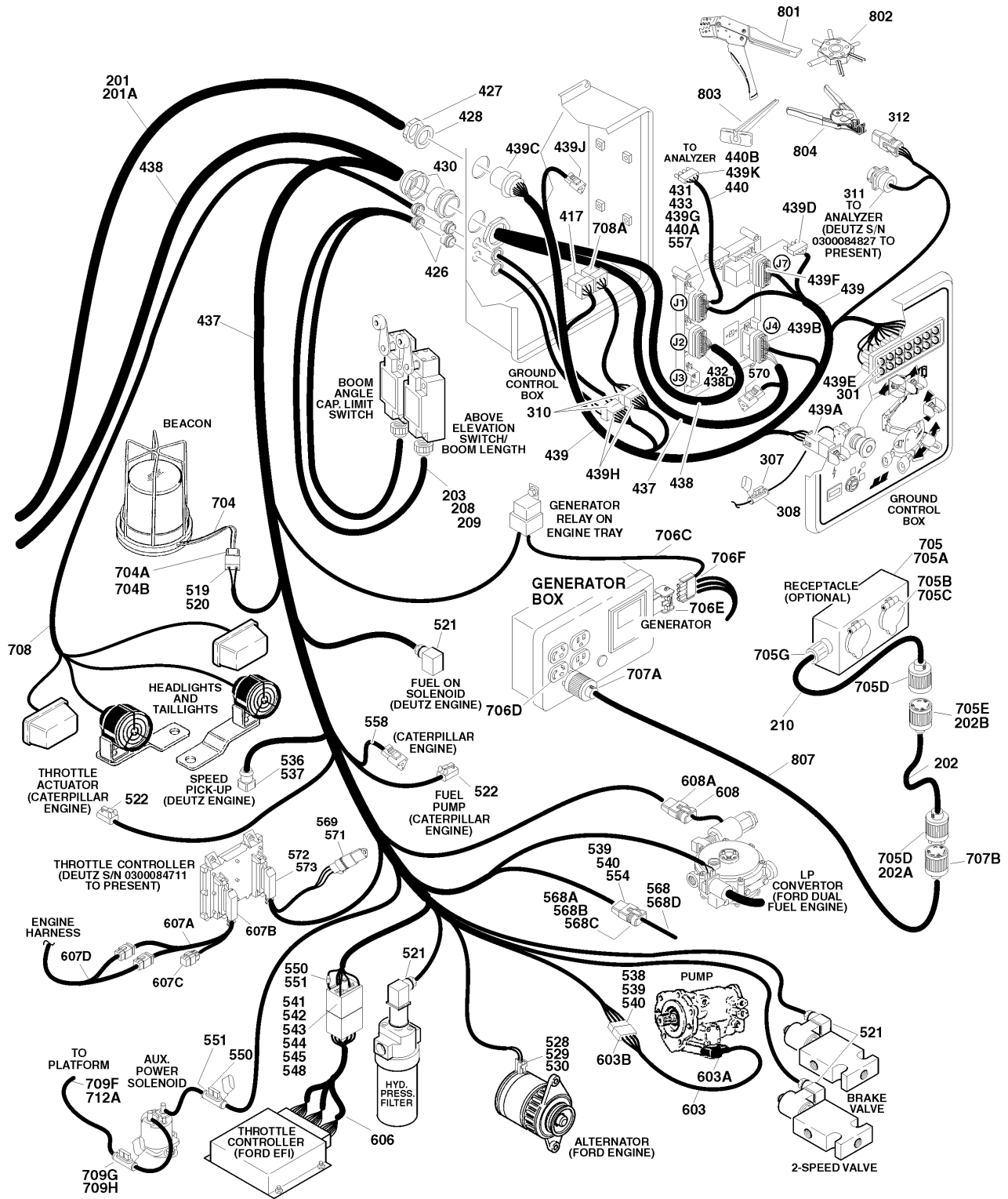
ITEM #	PART NUMBER	QTY.	DESCRIPTION	REV.
		Ref	REMOTE CONTROL ELECTRICAL DIAGRAMS:	
	4922847	Ref	Harness, Remote Control Box	1/A
	4922863	Ref	Harness, Cable Remote Control	1/A
	4933274	Ref	Electrical Diagram	A
		Ref	STANDARD ELECTRICAL DIAGRAMS	
	4933291	Ref	Caterpillar Engine	2/B
	4933222	Ref	Deutz Engine (SN 0300068000 to SN 0300084827)	4/D
	4933318	Ref	Deutz Engine (SN 0300084827 to SN 0300087000)	D
	4933221	Ref	Ford EFI Engine (SN 0300068000 to SN 0300084827)	3/C
	4933327	Ref	Ford EFI Engine (SN 0300084827 to SN 0300087000)	1/A
		Ref	STANDARD ELECTRICAL SCHEMATIC	
	1870132	Ref	Caterpillar & Ford Engine Machines	G
	1870132	Ref	Deutz Engine Machines (SN 0300069000 to SN 0300084827)	G
	1870191	Ref	Deutz Engine Machines (SN 0300084827 to SN 0300087000)	A
	0270805/1283235	Ref	STROBE LIGHT ELECTRICAL DIAGRAM	2/E

SECTION 7 ELECTRICAL

FIGURE 7-2. HARNESS COMPONENTS INSTALLATION



SECTION 7 ELECTRICAL



SECTION 7 ELECTRICAL

FIGURE 7-2. HARNESS COMPONENTS INSTALLATION

ITEM #	PART NUMBER	QTY.	DESCRIPTION	REV.
	4922639	Ref	PLATFORM BOX HARNESS ASSEMBLY	5/F
1	4922639	1	Harness, Console Box	
2 to 18	Not Used			
19	4460866	1	Terminal, 19 Pin Receptacle	
20	4460874	1	Connector - 35 Position (Natural)	
21	4460875	1	Connector - 35 Position (Gray)	
22	4460873	1	Connector - 35 Position (Black)	
23	4460871	77	Socket, Female	
24	4460464	7	Pin, Male (16 Gauge)	
25	4460879	1	Terminal, Housing 2 Position	
26	4460887	2	Terminal, (12 Gauge)	
27 to 29	Not Used			
30	4460418	8	Connector - 6 Position	
31	4460419	24	Terminal, Female	
32	4120035	12	Base, Light	
33 to 35	Not Used			
36	4460225	1	Connector - 6 Position	
37	4460227	30	Pin, Male	
38 to 40	Not Used			
41	4460508	3	Pin, Male (12 Gauge)	
42	Not Used			
43	4460434	2	Connector - 15 Position	
44	2920129	12	Bulb, Light	
		Ref	PLATFORM BOX ASSEMBLY COMPONENTS	
101 to 103	Not Used			
104	0100048	AR	Grease, Dielectric	
105 to 113	Not Used			
114	1060918	8ft/2.4m	Cable, Electrical - 18/3	
115 to 141	Not Used			
142	4460071	1	Connector, Strain Relief	
143	4460226	2	Socket, Female	
144	4460428	2	Connector, Strain Relief	
145	Not Used			
146	4460470	1	Nut, Terminal	
147	4460471	1	Lockwasher, Terminal	
148	4460905	5	Seal, Plug	
149 to 152	Not Used			
153	4922666	1	Harness, Analyzer Cable	2/B
	4460226	4	Socket, Female (Not Shown - Located at J2)	
153A	4460761	1	Connector, Female - 4 Position	
	4460227	4	Pin, Male	
154	Not Used			
155	4460708	2	Terminal, 15 Pin Mate-N-Loc	

SECTION 7 ELECTRICAL

FIGURE 7-2. HARNESS COMPONENTS INSTALLATION (CONTINUED)

ITEM #	PART NUMBER	QTY.	DESCRIPTION	REV.
		Ref	BOOM CABLES INSTALLATION	
		Ref	600S	
	0270733	Ref	ANSI, ANSI Export, Brazilian, CSA, Japanese Specs without 7500W Generator	4
	0270734	Ref	Latin American Specs without 7500W Generator	5
	0272483	Ref	ANSI, ANSI Export, CSA Specs with 7500W Generator	2
	0272484	Ref	Brazilian, Japanese, Latin American Specs with 7500W Generator	2
		Ref	600SJ - 2WS	
	0270738	Ref	ANSI, ANSI Export, Brazilian, CSA, Japanese, Latin American Specs without 7500W Generator	3
	0272488	Ref	ANSI, ANSI Export, CSA, Latin American Specs with 7500W Generator	2
	0272487	Ref	Brazilian, Japanese Specs with 7500W Generator	2
		Ref	660SJ	3
	0270736	Ref	ANSI, ANSI Export, Brazilian, CSA, Japanese, Latin American Specs without 7500W Generator	3
	0272485	Ref	ANSI, ANSI Export, CSA, Latin American Specs with 7500W Generator	2
	0272486	Ref	Brazilian, Japanese Specs with 7500W Generator	2
201		1	Harness, Main Boom Options:	
	4922468		600S - ANSI, ANSI Export, CSA, Brazilian, Japanese, Latin American Spec	
	4922466		600SJ - ANSI, ANSI Export, CSA, Brazilian, Japanese, Latin American Spec	
	4922467		660SJ - ANSI, ANSI Export, CSA, Brazilian, Japanese, Latin American Spec	
201A	1060896	AR	Cable Options:	
		67ft/20.4m	600S - 2WS	
		69ft/21m	600SJ - 2WS	
		75ft/22.8m	660SJ - 2WS	
201B	4460465	22	Socket, Female - #16	
201C	4460865	1	Connector (19 Pin)	
201D	4460509	8	Socket, Female - #12	
201E	4460473	1	Clamp, Cable	
201F	4460466	4	Seal, Plug	
202		AR	Harness Options: (Does not include plug ends)	
	4922889	1	600S - ANSI, ANSI Export, CSA, Brazilian, Japanese Spec without 7500W Generator	
	4922884	1	600S - Latin American Spec without 7500W Generator	
	4922792	1	600S - ANSI, ANSI Export, CSA Spec with 7500W Generator	
	4922887	1	600SJ - ANSI, ANSI Export, CSA, Brazilian, Japanese, Latin American Spec without 7500W Generator	
	4922790	1	600SJ - ANSI, ANSI Export, CSA, Latin American Spec with 7500W Generator	
	4922888	1	660SJ - ANSI, ANSI Export, CSA, Brazilian, Japanese, Latin American Spec without 7500W Generator	
	4922791	1	660SJ - ANSI, ANSI Export, CSA, Latin American Spec with 7500W Generator	

SECTION 7 ELECTRICAL

FIGURE 7-2. HARNESS COMPONENTS INSTALLATION (CONTINUED)

ITEM #	PART NUMBER	QTY.	DESCRIPTION	REV.
202 (cont'd)		AR	Cable, Electrical - 12/3 Options (Without 7500W Generator):	
	1060494	69.5ft/21.8m	600S - ANSI, ANSI Export, CSA, Brazilian, Japanese Spec	
	1060461	69.5ft/21.8m	600S - Latin American Spec	
	1060494	71ft/21.6m	600SJ - ANSI, ANSI Export, CSA, Brazilian, Japanese, Latin American Spec	
	1060494	77ft/23.5m	660SJ - ANSI, ANSI Export, CSA, Brazilian, Japanese, Latin American Spec	
	1060945	AR	Cable, Electrical - 8/5 Options (With 7500W Generator):	
		85ft/25.9m	600S - ANSI, ANSI Export, CSA Spec	
		85ft/25.9m	600SJ - ANSI, ANSI Export, CSA, Latin American Spec	
		90.5ft/27.6m	660SJ - ANSI, ANSI Export, CSA, Latin American Spec	
202A	4460205	1	Plug, Male (110V)	
202B	4460134	1	Connector, Female (110V)	
203		1	Cable, Electrical - 18/2 Boom Horizontal Limit Switch Options:	
	1061026		600S - ANSI, ANSI Export, Brazilian, CSA, Japanese Specs without 7500W Generator	
	Not Required		600S - Latin American Spec without 7500W Generator	
	Not Required		600S - ANSI, ANSI Export, CSA Spec with 7500W Generator	
	Not Required		600S - Brazilian, Japanese Spec with 7500W Generator	
	1061027		600SJ/660SJ - ANSI, ANSI Export, CSA, Brazilian, Japanese, Latin American Spec without 7500W Generator	
	1061027		600SJ/660SJ - ANSI, ANSI Export, CSA, Latin American Spec with 7500W Generator	
	Not Required		600SJ/660SJ - Brazilian, Japanese Spec with 7500W Generator	
	1060680	AR	Cable, Electrical - 18/2 Options:	
		25.5ft/7.8m	600S	
		13.5ft/4.2m	600SJ/660SJ	
204 to 206	Not Used			
207		AR	Sleeve, Nylon Options: (Not Shown)	
	4100026	10ft/3.0m	600S - 2WS	
	Not Required		600SJ/660SJ - 2WS	
208		AR	Cable, Electrical - 18/2 (600S - 2WS Only) Options:	
	1061027	2	600S - ANSI, ANSI Export, Brazilian, CSA, Japanese Specs	
	Not Required	0	600S - Latin American Spec without 7500W Generator	
	Not Required	0	600S - Brazilian, Japanese, Latin American Spec with 7500W Generator	
	1060680	13.5ft/4.2m	600S - 2WS	
209		1	Cable, Electrical - 18/2 Boom Length Options:	
	Not Required		600S - ANSI, ANSI Export, CSA, Brazilian, Japanese Spec without 7500W Generator	
	1061026		600S - Latin American Spec without 7500W Generator	
	1061026		600S - ANSI, ANSI Export, CSA, Brazilian, Japanese Spec with 7500W Generator	
	Not Required		600SJ/660SJ - ANSI, ANSI Export, CSA, Brazilian, Japanese, Latin American Spec without 7500W Generator	

SECTION 7 ELECTRICAL

FIGURE 7-2. HARNESS COMPONENTS INSTALLATION (CONTINUED)

ITEM #	PART NUMBER	QTY.	DESCRIPTION	REV.
209 (cont'd)	Not Required		600SJ/660SJ - ANSI, ANSI Export, CSA, Latin American Spec with 7500W Generator	
	1061026		600SJ/660SJ - Brazilian, Japanese Spec with 7500W Generator	
		Ref	GROUND CONTROL BOX DIAGRAMS	
		Ref	Caterpillar Engine	
	4933291	Ref	SN 0300068000 to SN 0300084827	2/B
	4933328	Ref	SN 0300084827 to SN 0300087000	1/A
		Ref	Deutz Engine	
	4933222	Ref	SN 0300068000 to SN 0300084827	4/D
	4933318	Ref	SN 0300084827 to SN 0300087000	D
		Ref	Ford EFI Engine	
	4933221	Ref	SN 0300068000 to SN 0300084827	3/C
	4933327	Ref	SN 0300084827 to SN 0300087000	1/A
301	2920129	AR	Bulb, Light	
302 to 306	Not Used			
307	2400065	1	Fuse, 30Amp	
308	2400066	1	Fuse, Holder W/Cover	
309	Not Used			
310	4460708	2	Receptacle, Female - 15 Position	
	4460226	13	Socket, Female	
	4922637	1	Harness, Jumper (Not Shown)	
	4922636	1	Harness, Jumper (Not Shown)	
311	4461072		Receptacle, Female - 12 Position (Deutz Engine Only) (SN 0300084827 to SN 0300087000 Only)	
	4461074	1	Shell, Receptacle (SN 0300084827 to SN 0300087000 Only)	
	4461071	4	Socket, Female (Gold) (SN 0300084827 to SN 0300087000 Only)	
	4461073	1	Cap, Dust (Deutz SN 0300084827 to SN 0300087000 Only)	
	2902443	1	Kit, Receptacle (SN 0300084827 to SN 0300087000 Only)	
312	4460894	1	Plug, Male - 6 Position (Deutz Engine Only) (SN 0300084827 to SN 0300087000 Only)	
	4460892	1	Connector, Terminal (SN 0300084827 to SN 0300087000 Only)	
		Ref	GROUND CONTROL BOX COMPONENTS	
401 to 416	Not Used			
417	3740049	1	Relay	
418 to 425	Not Used			
426	4460426	2	Connector, Strain Relief	
427	4460470	1	Nut, Terminal	
428	4460471	1	Lockwasher, Terminal	
429	Not Used			
430	4460526	1	Connector, Strain Relief	
431	4460874	1	Connector (Natural)	

SECTION 7 ELECTRICAL

FIGURE 7-2. HARNESS COMPONENTS INSTALLATION (CONTINUED)

ITEM #	PART NUMBER	QTY.	DESCRIPTION	REV.
432	4460875	1	Connector (Gray)	
433	4460905	4	Connector, Amp Seal Plug	
434 to 436	Not Used			
437		1	Engine Harness Assembly (Not Shown - See 501 to 573 for Breakdown)	
	4922921		Caterpillar Engine (SN 0300068000 to SN 0300084827)	
	4923227		Caterpillar Engine (SN 0300084827 to SN 0300087000)	
	4922515		Deutz Engine Machines (SN 0300068000 to SN 0300084827)	
	4923212		Deutz Engine Machines (SN 0300084827 to SN 0300087000)	
	4922514		Ford Engine Machines (SN 0300068000 to SN 0300084827)	
	4923226		Ford Engine (SN 0300084827 to SN 0300087000)	
438		1	Valve Harness Assembly Options:	
	4922513		SN 0300068000 to SN 0300084827	3/D
	4923206		SN 0300084827 to SN 0300087000	2/B
438A	4460880	15	Connector, DIN	
438B	4460320	2	Connector, Female- 2 Position	
	4460267	5	Pin, Male	
438C	4460424	1	Connector, Male- 2 Position	
	4460268	5	Pin, Female	
438D	4460871	AR	Socket, Female	
438E	4460326	1	Connector, Male - 3 Position	
	4460267	7	Pin, Male	
438F	4460445	1	Connector, Female - 3 Position	
	4460268	5	Pin, Female	
439		1	Ground Control Box Harness Assembly Options:	
	4922648		SN 0300068000 to SN 0300084827	4/E
	4923213		Deutz Engine (SN 0300084827 to SN 0300087000)	B
	4923229		Caterpillar & Ford Engine (SN 0300084827 to SN 0300087000)	1/A
439A	4460418	7	Connector, Female- 6 Position	
	4460419	21	Socket, Female	
439B	4460876	1	Connector, 35- Position	
	4460871	AR	Socket, Female	
	4460905	2	Seal, Plug	
439C	4460866	1	Connector - 19 Pin	
	4460464	7	Pin, Male Deutsch (16 Gauge)	
439D	4460878	1	Housing, Terminal- 4 Position	
	4460887	3	Terminal (12 Gauge)	
439E	4120035	AR	Base, Light	
	4460634	AR	Terminal (16 Gauge)	
439F	4460873	1	Connector, 35- Position (Black)	
	4460871	AR	Socket, Female	
	4460635	5	Terminal (12 Gauge)	
439G	4460871	AR	Socket, Female	
439H	4460434	2	Plug, Male 15- Position	
	4460227	AR	Pin	
439I	3990010	2	Diode - 6 Amp (Not Shown)	

SECTION 7 ELECTRICAL

FIGURE 7-2. HARNESS COMPONENTS INSTALLATION (CONTINUED)

ITEM #	PART NUMBER	QTY.	DESCRIPTION	REV.
439J	4460536	1	Connector, Female - 3 Position (Deutz Engine Machines Only) (SN 0300084827 to SN 0300087000 Only)	
	4460943	3	Socket, Female (SN 0300084827 to SN 0300087000 Only)	
439K	4460761	1	Connector, Female - 4 Position (Deutz Engine Machines Only) (SN 0300084827 to SN 0300087000 Only)	
	4460227	3	Pin, Male (SN 0300084827 to SN 0300087000 Only)	
440	4922666	1	Cable, Analyzer (SN 0300068000 to SN 0300084827)	2/B
440A	4460226	4	Socket, Female	
440B	4460761	1	Connector, Female 4- Position	
	4460227	4	Pin, Male	
441		1	Ground Control Box Wiring Diagram (Not Shown - See Items 301 to 312 for Breakdown)	
	4933291		Caterpillar Engine (SN 0300068000 to SN 0300084827)	
	4933328		Caterpillar Engine (SN 0300084827 to SN 0300087000)	
	4933222		Deutz Engine (SN 0300068000 to SN 0300084827)	
	4933318		Deutz Engine (SN 0300084827 to SN 0300087000)	
	4933221		Ford Engine (SN 0300068000 to SN 0300084827)	
	4933327		Ford Engine (SN 0300084827 to SN 0300087000)	
		Ref	ENGINE HARNESS ASSEMBLY	
		Ref	Caterpillar Engine	
	4922921	Ref	SN 0300068000 to SN 0300084827	3/C
	4923227	Ref	SN 0300084827 to SN 0300087000	1/A
		Ref	Deutz Engine	
	4922515	Ref	SN 0300068000 to SN 0300084827	5/E
	4923212	Ref	SN 0300084827 to SN 0300087000	C
		Ref	Ford Engine	
	4922514	Ref	SN 0300068000 to SN 0300084827	9/I
	4923226	Ref	SN 0300084827 to SN 0300087000	2/B
501 to 518	Not Used			
519	4460424	1	Receptacle, Female - 2 Position	
520	4460268	AR	Socket, Female	
521	4460880	AR	DIN Connector without Diode	
522	4460891	2	Connector, Male - 2 Position (Caterpillar Engine Only)	
	4460465	7	Socket, Female	
523 to 527	Not Used			
528	4460582	3	Terminal (Ford Engine Only)	
529	4460580	1	Lock, Terminal (Ford Engine Only)	
530	4460579	1	Housing - 3 Position (Ford Engine Only)	
531 to 535	Not Used			
536	4460890	1	Housing - 2 Position (Deutz Engine Only)	
537	4460889	2	Terminal (Deutz Engine Only)	
538	4460460	1	Connector, Male - 4 Position	
539	4460457	AR	Terminal, Female	
540	4460458	AR	Seal, Terminal	
541	4460713	1	Connector, Housing 42 Position (Ford Engine Only)	
542	4460725	1	Connector Wedge Lock, Center (Ford Engine Only)	
543	4460726	2	Connector Wedge Lock, Side (Ford Engine Only)	

SECTION 7 ELECTRICAL

FIGURE 7-2. HARNESS COMPONENTS INSTALLATION (CONTINUED)

ITEM #	PART NUMBER	QTY.	DESCRIPTION	REV.
544	4460800	29	Connector, Plug (Ford Engine Only)	
545	4460799	7	Pin, Male (Ford Engine Only)	
546 to 547	Not Used			
548	4460728	3	Pin, Male (Ford Engine Only)	
549	Not Used			
550	2400061	AR	Fuse (Ford Engine Only)	
551	2400060	2	Holder, Fuse (Ford Engine Only)	
552 to 553	Not Used			
554	4460742	1	Connector, Male - 2 Position (Ford Engine Only)	
555 to 556	Not Used			
557	4460871	AR	Socket, Female	
558	4460539	1	Connector, Male - 3 Position (Caterpillar Engine Only)	
	4460944	3	Socket, Female	
559 to 566	Not Used			
567	2400065	1	Fuse, 30Amp (SN 0300073350 to SN 0300087000) (Ford Engine Only)	
568	3730120	1	Resistor Assembly (SN 0300073350 to SN 0300087000) (Ford Engine Only)	
568A	4460978	1	Receptacle, Male - 2 Position	
568B	4460979	2	Pin, Male	
568C	4460458	2	Seal, Terminal	
568D	3730121	1	Resistor	
		Ref	Note: Items 569-573 is used on Deutz Engine Only from SN 0300084827 to SN 0300087000 Only.	
569	4461070	1	Connector, Receptacle W/Resistor (3 Position)	
570	4460539	1	Connector, Male - 3 Position	
	4460944	3	Socket, Female	
571	4461095	1	Connector, Male - 3 Position	
	4460944	3	Socket, Female	
572	4461052	1	Connector, Receptacle - 25 Position	
	4461005	5	Terminal (Gold)	
	4461006	5	Seal, Terminal	
	4461060	2	Terminal (Tin)	
	4461054	2	Seal, Terminal	
573	4461053	1	Cover, Plug	
		Ref	STANDARD HARNESS COMPONENTS	
601 to 602	Not Used			
603	See Note	1	Pump Harness (Note: Not Available for Purchase.)	
603A	7007497	1	Plug (Pump End)	
603B	7007498	1	Plug (Engine Harness End)	
604	See Note	1	Controller Harness Assembly (Lift and Swing) (Note: Not Available for Purchase.)	
604A	7022819	1	Plug, Male - 8 Position (Natural)	
604B	4460871	8	Socket, Female	
605	See Note	1	Controller Harness/Circuit Board Assembly (Drive and Steer) (Note: Not Available for Purchase.)	
605A	7022825	1	Plug, Male - 8 Position (Black)	
605B	4460871	7	Socket, Female	

SECTION 7 ELECTRICAL

FIGURE 7-2. HARNESS COMPONENTS INSTALLATION (CONTINUED)

ITEM #	PART NUMBER	QTY.	DESCRIPTION	REV.
606	See Note	1	Ford Engine Harness (For replacement parts refer to Ford engine dealer) (Ford Engine Machines) (Note: Not Available for Purchase.)	
607		AR	Deutz Engine Harness Components (SN 0300084827 To SN 0300087000) (For replacement parts refer to Deutz engine dealer)	
607A	7027796	1	Deutz Engine Harness (Not Shown) (SN 0300084827 To SN 0300087000)	
607B	4461052	1	Connector, Receptacle - 25 Position (SN 0300084827 To SN 0300087000)	
	4461053	1	Cover, Plug (SN 0300084827 To SN 0300087000)	
	4461005	5	Terminal (Gold) (SN 0300084827 To SN 0300087000)	
	4461006	5	Seal, Terminal (SN 0300084827 To SN 0300087000)	
	4461060	2	Terminal (Tin) (SN 0300084827 To SN 0300087000)	
	4461054	2	Seal, Terminal (SN 0300084827 To SN 0300087000)	
	4461008	18	Plug, Hole (SN 0300084827 To SN 0300087000)	
607C	7027793	1	Connector (SN 0300084827 To SN 0300087000)	
607D	7027794		Deutz Engine Harness (SN 0300084827 To SN 0300087000)	
608	See Note	1	Dual Fuel Shut-Off Filter Harness (Note: Not Available for Purchase.)	
608A	7023679	1	Electrical Connector Kit (Includes [1] 2 Position Connector, 2 Pins & 2 Seals)	
		Ref	OPTIONAL HARNESS COMPONENTS	
701	4921928	1	4WS Valve Harness	
701A	4460268	3	Socket, Female	
701B	4460445	1	Connector, Female - 3 Position	
701C	4460499	2	Connector, DIN with Diode	
702	4921927	1	Jib Valve Harness (600SJ & 660SJ Only)	
702A	4460326	1	Plug, Male - 3 Position	
702B	4460267	3	Pin, Male	
702C	4460499	2	Connector, DIN with Diode	
703	0257887	1	Alarm Harness (Includes Alarm)	
703A	4460424	1	Plug, Male - 2 Position	
703B	4460268	2	Socket, Female	
704		1	Strobe Light Harness Options (Includes Strobe Light):	
	0255917		SN 0300068000 to SN 0300069327	
	0272507		SN 0300069327 to SN 0300087000	
704A	4460320	1	Connector, Female - 2 Position	
704B	4460267	2	Pin, Male	
705		AR	AC to Platform Receptacle Components Options:	
	0256113		110V GFI Receptacle	2
	0257175		220V Receptacle	2
705A	0860038	1	Box, Switch	
705B		1	Receptacle Options:	
	4460346		110V GFI	
	4460125		220V	
705C		1	Shield, Cover Options:	
	4060700		110V GFI	
	4060092		220V	

SECTION 7 ELECTRICAL

FIGURE 7-2. HARNESS COMPONENTS INSTALLATION (CONTINUED)

ITEM #	PART NUMBER	QTY.	DESCRIPTION	REV.
705D	4460205 4460233	2	Plug, Male Options: 110V GFI 220V	
705E	4460134 4460701	2	Connector, Female Options: 110V GFI 220V	
705F	4921801 See Note 1060494	1 18in/47cm	Harness-Receptacle Box to Boom Options: 110V 220V (Note: Not Available for Purchase.) Cable, Electrical - 12/3	
705G	4460071	1	Connector, Strain Relief	
706	4933215 4933216 4933300 3990010	AR 1	Generator Electrical Components 110V (SN 0300068000 to SN 0300077490) 220V (SN 0300068000 to SN 0300077490) 110V/220V (SN 0300077490 to SN 0300087000) Diode - 6 Amp (Not Shown)	1/B 1/B 1/A
706A	4922641	1	Harness - On/Off Switch	
706B	4460226	2	Socket, Female	
706C	4922482 4922970	1 1	Powermite Control Box to Relay Options: SN 0300068000 to SN 0300079612 SN 0300079612 to SN 0300087000	
706D	4460027	1	Receptacle, Twist Lock (110V Only)	
706E	4460961 4460705	1 4	Connector, Female - 4 Position (SN 0300077490 to SN 0300087000) Pin, Male	
706F	4460321 4460906	1 4	Connector, Male - 4 Position (SN 0300077490 to SN 0300087000) Socket, Female	
707	4921827 4921954	1 1 Ref	Generator to Rear of Boom Harness (110V) Generator to Rear of Boom Harness (220V)	
	1060494	26ft/8m	Note: Harness used to connect AC at platform harness to generator receptacle to power platform receptacle. Cable, Electrical - 12/3	
707A	4460205 4460233	1 1	Plug, Male (110V) Plug, Male (220V)	
707B	4460134 4460701	1 1	Receptacle, Female (110V) Receptacle, Female (220V)	
708	See Note 1060341	1 37ft/11.3m	Headlight & Taillight & Chassis Illumination Lights Harness (Note: Not Available for Purchase.) Cable, Electrical - 16/2	
708A	3740049	1	Relay	
708B	4922643	1	Harness, Bag (Located at Ground Control Box) (Not Shown)	
709		AR	Platform Worklights Components	
709A	2920140	2	Platform Worklights External Harness (Includes Light and Wire Only)	
709B	4460598 4460426	1 1	Connector, Strain Relief Options: SN 0300068000 to SN 0300074441 SN 0300074441 to SN 0300087000	
709C	4360232	1	Circuit Breaker, 15Amp (SN 0300068000 to SN 0300074441)	

SECTION 7 ELECTRICAL

FIGURE 7-2. HARNESS COMPONENTS INSTALLATION (CONTINUED)

ITEM #	PART NUMBER	QTY.	DESCRIPTION	REV.
709D	4922498	1	Platform Worklights Internal Harness (SN 0300068000 to SN 0300074441)	
709E	4460871	3	Socket, Female (SN 0300068000 to SN 0300074441)	
		Ref	Note: Items 709F - 709H SN 0300074441 to SN 0300087000.	
709F		1	Platform Worklights Harness Options:	
	4922888		600S/600SJ	
	4922964		660SJ	
	1060494	AR	Cable, Electrical - 12/3 Options:	
		77ft/23.5mm	600S/600SJ	
		83ft/25.3mm	660SJ	
709G	2400070	1	Fuse	
709H	2400066	1	Holder, Fuse	
710	See Note	1	Soft-Touch System Harness (Note: Not Available for Purchase.)	
710A	1060341	16ft/4.9m	Cable, Electrical - 16/3	
710B	4460425	1	Connector, Strain Relief	
711	Not Required			
712	4933313	1	Floodlights Harness Components	
712A	1060494	77ft/23.5m	Electrical Cable 12/3 (Aux Relay to Console Box)	
712B	4460320	2	Plug, Male - 2 Position	
	4460227	4	Pin, Male	
712C	4922764	1	Floodlight Harness (Lights to Switch)	
712D	4460424	2	Connector, Female - 2 Position	
	4460226	4	Socket, Female	
712E	1060977	1	Cord, 2 Wire Coiled (Console Box Circuit Breaker to Switch)	
712F	4360232	1	Circuit Breaker - 15 Amp	
712G	4460425	1	Strain, Relief	
		Ref	TOOLS	
801	7002821	1	Crimper (For Wire to Pin/Socket Connections)	
802	7002823	1	Extractor (For Removal of Pin/Socket from Connectors)	
803	4460467	1	Extractor, Pin (Blue 16-18 Gauge) (For Removal of Pin/Socket from Connectors)	
	4460510	1	Extractor, Pin (Yellow 12-14 Gauge) (For Removal of Pin/Socket from Connectors)	
804	7002828	1	Stripper, Wire	
805	2901443	1	Analyzer Kit (Not Shown)	

SECTION 7 ELECTRICAL

FIGURE 7-2. HARNESS COMPONENTS INSTALLATION (CONTINUED)

ITEM #	PART NUMBER	QTY.	DESCRIPTION	REV.

SECTION 8 DECALS

SECTION 8 DECALS

FIGURE 8-1. DECAL INSTALLATION (ANSI SPEC)

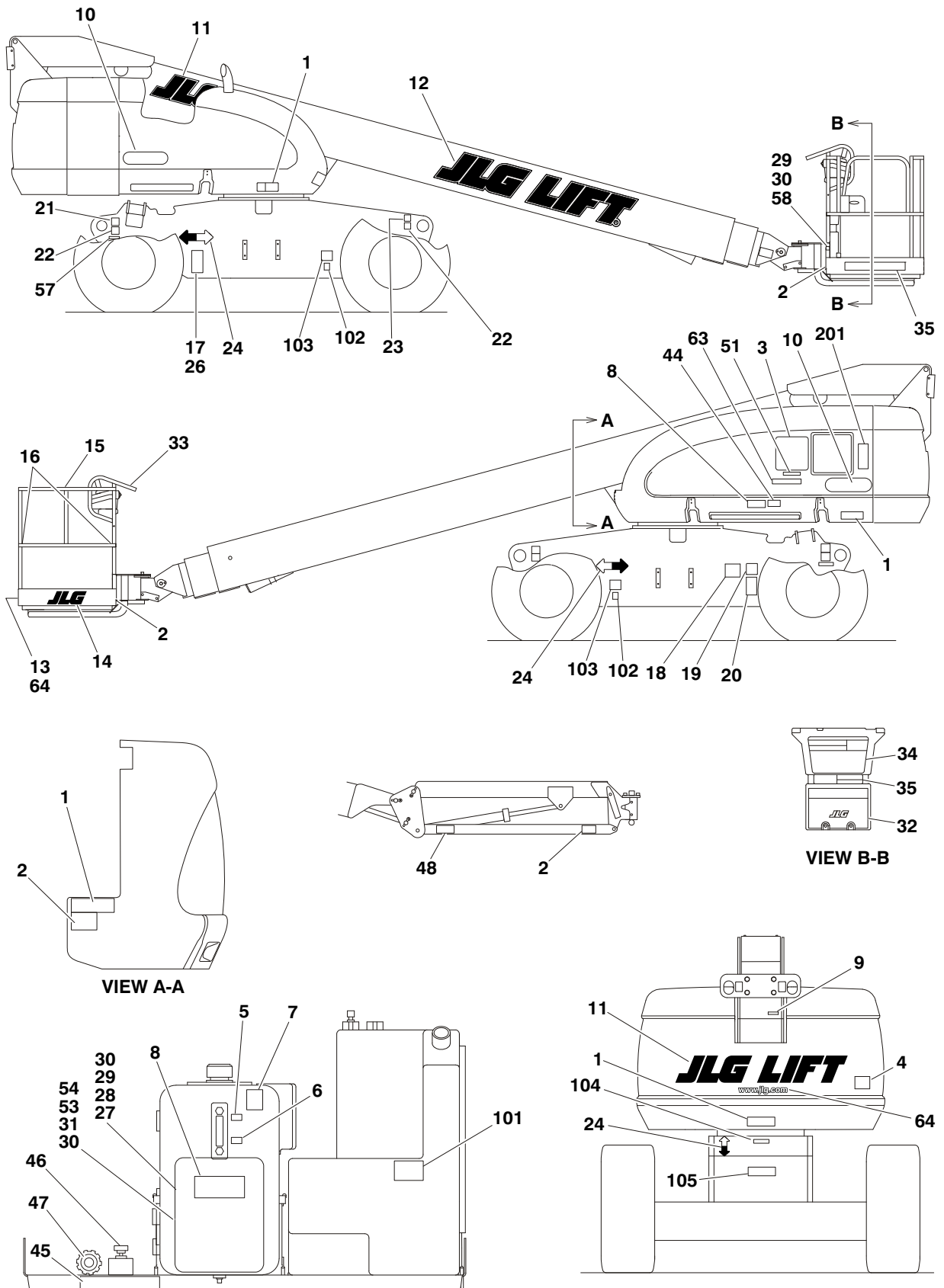


FIGURE 8-1. DECAL INSTALLATION (ANSI SPEC)

ITEM #	PART NUMBER	QTY.	DESCRIPTION	REV.
		Ref	STANDARD DECAL INSTALLATIONS	
	0271014	Ref	Decal - JLG	3
	0255329	Ref	600S ANSI Spec	17
	0255333	Ref	600SJ ANSI Spec	17
	0255331	Ref	660SJ ANSI Spec	18
1	1703805*+	4	Decal - Danger/Electrocution	
2	1703804*+	AR	Decal - Warning/Crushing	
3	1703798*+	1	Decal - Danger/Warning	
4	3251813*+	1	Decal - USA	
5	1701502*+	1	Decal - High Oil Level	
6	1701503*+	1	Decal - Low Oil Level	
7	1701504*+	1	Decal - Hydraulic Oil	
8	1701509*+	1	Decal - Manual	
9		1	Nameplate Options:	
	3251243*+		120V-60Hz	
	3252507		220V-50/60Hz	
10		2	Decal - Model Options:	
	1702815*		600S	
	1702816		600SJ	
	1702817+		660SJ	
11	1702861*+	3	Decal - JLG Lift (8in)	
12	1702862*+	1	Decal - JLG Lift (12in) (SN 0300068000 to SN 0300069980)	
13	1702774*+	1	Decal - JLG Lift (3-1/2in)	
14	1702773*+	2	Decal - JLG (5in)	
15	1702868*+	2	Decal - No Hands	
16	1704277*+	AR	Decal - Attach Lanyard Here	
17	See Note	1	Nameplate - Serial Number (Note: Not Available for Purchase.)	
18	1702153*+	1	Decal - Inspection	
19	See Note	1	Decal - Bar Code (Note: Not Available for Purchase.)	
20	1700584*+	1	Decal - Patent	
21	1701499*+	2	Decal - No Tie Down /Lift	
22	1702300*+	4	Decal - Tie Down /Lift	
23	1701500*+	2	Decal - Tie Down /Lift	
24	1701529*+	4	Decal- Arrow	
25	Not Used			
26	3820001	4	Rivet	
27	0641408	4	Bolt 1/4in-20NC x 1in	
28	1060279	1	Cable, Lanyard	
29	3311405	AR	Locknut 1/4in-20NC	
30	4751400	AR	Flatwasher 1/4in	
31	0860520	1	Box, Manual Storage	
32	3380434	1	Panel, Pedestal (SN 0300068000 to SN 0300076512)	
33	1702784*+	1	Decal - Legend	
34	1703797*+	1	Decal - Danger/Warning	
35		2	Decal - 500LBS Max Capacity Options:	
	1704096*		Standard - 600S	
	1701645+		Standard - 600SJ & 660SJ	

SECTION 8 DECALS

FIGURE 8-1. DECAL INSTALLATION (ANSI SPEC) (CONTINUED)

ITEM #	PART NUMBER	QTY.	DESCRIPTION	REV.
36 to 43	Not Used			
44	1702901*+	1	Decal - Manual Descent (SN 0300068000 to SN 0300070916)	
45	1702902*+	1	Decal - Manual Descent (SN 0300068000 to SN 0300070916)	
46	1702903*+	1	Decal - Manual Descent (SN 0300068000 to SN 0300070916)	
47	1702904*+	1	Decal - Manual Descent (SN 0300068000 to SN 0300070916)	
48	1702908	1	Decal - Manual Descent (SN 0300068000 to SN 0300070916)	
49 to 50	Not Used			
51		1	Decal - 500LBS Max Capacity Options:	
	1702966*		Standard (600S)	
	1702688+		Standard (600SJ & 660SJ)	
52	Not Used			
53	0641406	4	Bolt 1/4in-20NC x 3/4in	
54	0100011	AR	Compound, Locking	
55 to 56	Not Used			
57	1703470	4	Decal - Tire Load	
58	0641414	2	Bolt 1/4in-20NC x 1-3/4in (SN 0300068000 to SN 0300076512)	
59 to 62	Not Used			
63	1703808	1	Decal - Legend	
64	1704885	2	Decal - Website	
	2900967*	1	Decal Kit - 600S (Includes Items with *asterisk)	
	2900970+	1	Decal Kit - 660SJ (Includes Items with +plus)	
		Ref	DECAL INSTALLATION (OPTIONAL PARTS)	
101		1	Decal - Fuel	
	1701542		Ford Engine Machines	
	1701505		Deutz Engine Machines	
102	1701543	1	Decal - LP Gas (Dual Fuel & LP Only Machines)	
103	1700818	1	Decal - LP Gas Liquid Withdrawal System (Dual Fuel & LP Only Machines)	
104	3250872	1	Nameplate - Steer/Tow Selection (Machines with Tow Package Only)	
105		1	Decal - Tow Instructions Options: (Machines with Tow Package Only)	
	1702305		2WD	
	1703403		4WD	
	0272341	Ref	DECAL INSTALLATION TIRE SEALANT	1
201	1705363	1	Decal - Tire Sealant Large	

FIGURE 8-1. DECAL INSTALLATION (ANSI SPEC) (CONTINUED)

ITEM #	PART NUMBER	QTY.	DESCRIPTION	REV.

SECTION 8 DECALS

FIGURE 8-2. DECAL INSTALLATION (COUNTRY SPEC)

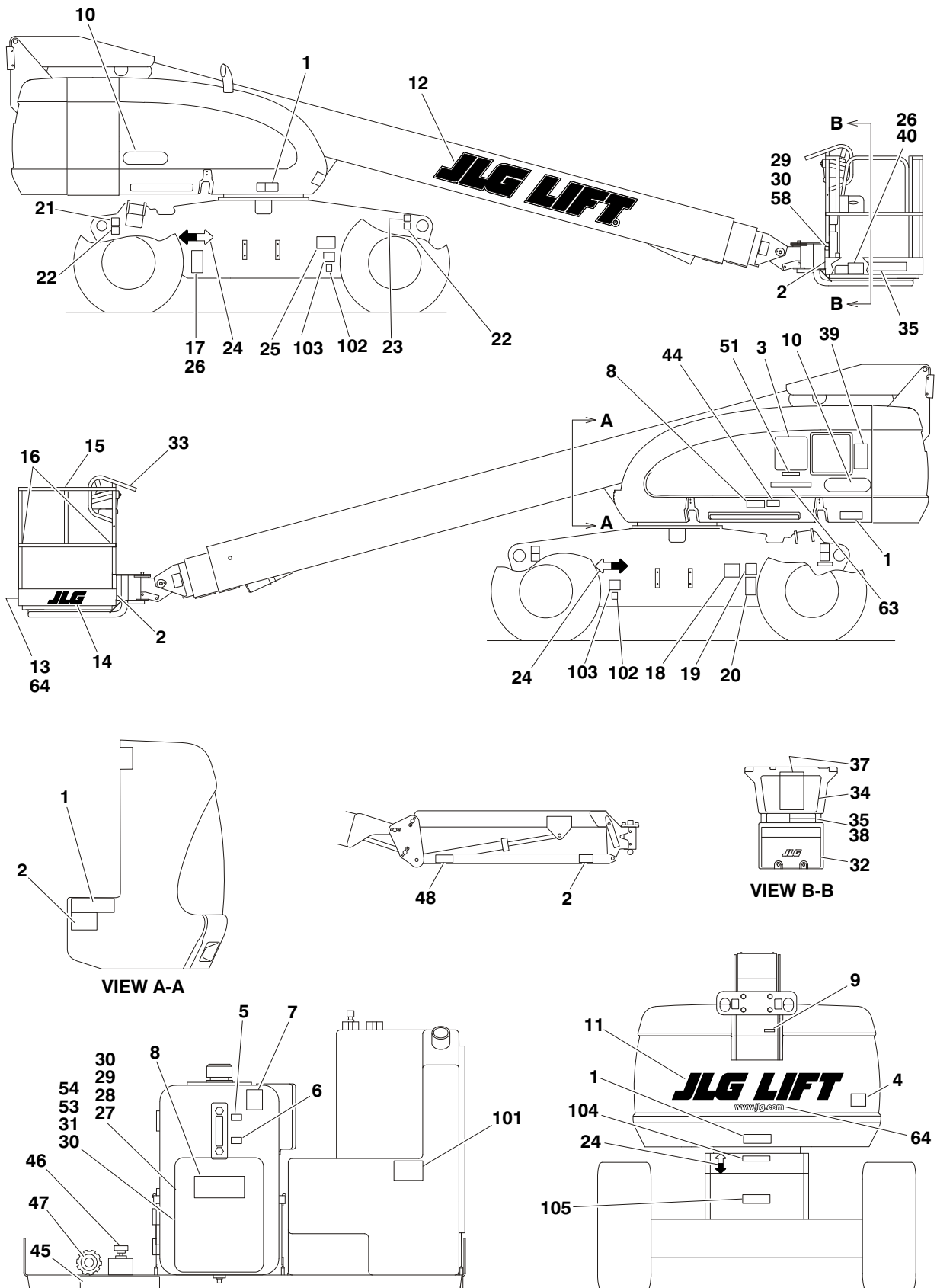


FIGURE 8-2. DECAL INSTALLATION (COUNTRY SPEC)

ITEM #	PART NUMBER	QTY.	DESCRIPTION	REV.
		Ref	DECAL INSTALLATIONS	
	0255330	Ref	600S Common Decals	12
	0255334	Ref	600SJ Common Decals	12
	0255332	Ref	660SJ Common Decals	13
	0257493	Ref	600S Brazilian Spec	5
	0257494	Ref	600SJ & 660SJ Brazilian Spec	5
	0259328	Ref	600S CSA Spec	11
	0259329	Ref	600SJ CSA Spec	13
	0259330	Ref	660SJ CSA Spec	13
	0273537	Ref	660SJ English, Chinese Spec	3
	0273536	Ref	600S English, Korean Spec	3
	0256258	Ref	600S Japanese Spec	3
	0256575	Ref	600SJ & 660SJ Japanese Spec	4
	0256673	Ref	600S Latin American Spanish Spec	15
	0256663	Ref	600SJ Latin American Spanish Spec	9
	0256672	Ref	660SJ Latin American Spanish Spec	11
1		AR	Decal - Electrocution Options:	
	Not Required	0	Brazilian Spec & Japanese Spec	
	1703937	4	Chinese Spec	
	1703936	4	CSA Spec	
	1703939	4	Korean Spec	
	1702585	4	Latin American Spec	
2		AR	Decal - Crushing Options:	
	1701518	5	Brazilian Spec & Japanese Spec	
	1703949	3	Chinese Spec	
	1703948	3	CSA Spec	
	1703951	3	Korean Spec	
	1702583	3	Latin American Spec	
3		AR	Decal - Danger/Warning Options:	
	Not Required	0	Brazilian Spec & Japanese Spec	
	1703931	1	Chinese Spec	
	1703930	1	CSA Spec	
	1703933	1	Korean Spec	
	1702971	1	Latin American Spec	
4		AR	Decal - USA Options:	
	Not Required	0	Brazilian, Chinese, Japanese Spec & Korean Spec	
	3251813	1	CSA & Latin American Spec	
5	1701502	1	Decal - High Oil Level	
6	1701503	1	Decal - Low Oil Level	
7	1701504	1	Decal - Hydraulic Oil	
8	1701509	1	Decal - Manual	
9		AR	Decal - AC to Platform Options:	
	Not Required	0	Brazilian, Chinese, Japanese Spec & Korean Spec	
	1703453	1	AC (Latin American Spec)	
	3251243	1	120V-60Hz	
	3252507	1	220V-50/60Hz	

SECTION 8 DECALS

FIGURE 8-2. DECAL INSTALLATION (COUNTRY SPEC) (CONTINUED)

ITEM #	PART NUMBER	QTY.	DESCRIPTION	REV.
10		2	Decal - Model Designation Options:	
	1702815		600S	
	1702816		600SJ	
	1702817		660SJ	
11	1702861	1	Decal - JLG Lift (8in)	
12	1702862	1	Decal - JLG Lift (12in)	
13	1702774	1	Decal - JLG Lift (3-1/2in)	
14	1702773	2	Decal - JLG (5in)	
15		AR	Decal - No Hands Options:	
	1703899	2	Brazilian Spec	
	1704000	2	CSA Spec	
	Not Required	0	Chinese, Japanese Spec & Korean Spec	
	1702975	1	Latin American Spec	
16		AR	Decal - Attach Lanyard Here Options:	
	1704277	AR	Brazilian, Chinese, CSA, Korean & Latin American Spec	
	Not Required	0	Japanese Specs	
17	See Note	1	Nameplate - Serial Number (Note: Not Available for Purchase.)	
18		AR	Decal - Inspection Options:	
	Not Required	0	Brazilian, Chinese, Japanese Spec & Korean Spec	
	1704006	2	CSA Spec	
	1702552	1	Latin American Spec	
19	See Note	1	Decal - Bar Code (Note: Not Available for Purchase.)	
20		1	Decal - Patent Options:	
	1700584		Brazilian, Chinese, Japanese Spec & Korean Spec	
	1702573		Latin American Spec	
21	1701499	2	Decal - No Tie Down /Lift	
22	1702300	4	Decal - Tie Down /Lift	
23	1701500	2	Decal - Tie Down /Lift	
24	1701529	4	Decal- Arrow	
25		AR	Decal - Warning Options:	
	Not Required	0	Brazilian, Chinese, Japanese Spec & Korean Spec	
	1702581	1	Latin American Spec	
26	3820001	AR	Rivet	
27	0641408	1	Bolt 1/4in-20NC x 1in	
28	1060279	1	Cable, Lanyard	
29	3311405	AR	Locknut 1/4in-20NC	
30	4751400	AR	Flatwasher 1/4in	
31	0860520	1	Box, Manual Storage	
32	3380434	1	Panel, Pedestal (SN 0300068000 to SN 0300076512)	
33		AR	Decal - Legend Options:	
	Not Required	0	Brazilian, Chinese, Japanese Spec & Korean Spec	
	1702784	2	CSA Spec	
	1702972	1	Latin American Spec	
34		AR	Decal - Danger/Warning Options:	
	Not Required	0	Brazilian Spec & Japanese Spec	
	1703925	1	Chinese Spec	
	1703924	2	CSA Spec	
	1703927	1	Korean Spec	
	1702973	1	Latin American Spec	

SECTION 8 DECALS

FIGURE 8-2. DECAL INSTALLATION (COUNTRY SPEC) (CONTINUED)

ITEM #	PART NUMBER	QTY.	DESCRIPTION	REV.
35	Not Required	AR	Decal - Maximum Capacity Options:	
	1703996	0	Brazilian Spec & Japanese Spec	
	1704099	1	Chinese Spec - 660SJ	
	1703996	2	CSA Spec - 600S	
	1704103	2	CSA Spec - 600SJ/660SJ	
	1704100	1	Korean Spec - 600S	
	1702974	2	Latin American Spec - 600S	
	1702974	2	Latin American Spec - 600SJ/660SJ	
36	Not Used			
37		AR	Nameplate - Capacity Options:	
	1703536	1	Brazilian Spec	
	1701924	1	Japanese Spec	
	Not Required	0	Chinese, CSA, Korean & Latin American Spec	
38		AR	Nameplate - Caution Options:	
	1703538	1	Brazilian Spec	
	1703188	1	Japanese Spec	
	Not Required	0	Chinese, CSA, Korean & Latin American Spec	
39		AR	Nameplate - Caution Options:	
	1703548	1	Brazilian Spec	
	1701923	1	Japanese Spec	
	Not Required	0	Chinese, CSA, Korean & Latin American Spec	
40		1	Decal - Footswitch Options:	
	3252540		Brazilian Spec	
	1703982		Chinese Spec	
	3252347		CSA Spec (Part of Footswitch)	
	3252220		Japanese Spec	
	1703981	1	Korean Spec	
	3252489		Latin American Spec	
41 to 43	Not Used			
44		1	Decal - Manual Descent Options:	
	1703543		Brazilian Spec (SN 0300068000 to SN 0300070916)	
	1704116		CSA Spec (SN 0300068000 to SN 0300070916)	
	1703004		Japanese Spec (SN 0300068000 to SN 0300070916)	
	1702976		Latin American Spec (SN 0300068000 to SN 0300070916)	
45		1	Decal - Manual Descent Options:	
	1703542		Brazilian Spec (SN 0300068000 to SN 0300070916)	
	1704269		CSA Spec (SN 0300068000 to SN 0300070916)	
	1703005		Japanese Spec (SN 0300068000 to SN 0300070916)	
	1702977		Latin American Spec (SN 0300068000 to SN 0300070916)	
46	1702903	1	Decal - Manual Descent #1 (SN 0300068000 to SN 0300070916)	
47	1702904	1	Decal - Manual Descent #2 (SN 0300068000 to SN 0300070916)	
48		1	Decal Options: (600SJ & 660SJ Only)	
	1703541		Brazilian Spec (No Hands) (SN 0300068000 to SN 0300070916)	
	1704270		CSA Spec (Manual Descent) (SN 0300068000 to SN 0300070916)	
	1703006		Japanese Spec (No Hands) (SN 0300068000 to SN 0300070916)	

SECTION 8 DECALS

FIGURE 8-2. DECAL INSTALLATION (COUNTRY SPEC) (CONTINUED)

ITEM #	PART NUMBER	QTY.	DESCRIPTION	REV.
48 (cont'd)	1702978		Latin American Spec (No Hands) (SN 0300068000 to SN 0300070916)	
49 to 50	Not Used			
51	Not Required	AR	Decal - Capacity Options:	
	1704112	0	Brazilian Spec & Japanese Spec	
	1704107	1	Chinese Spec - 660SJ	
	1702688	1	CSA Spec (600S)	
	1704112	1	CSA Spec (600SJ & 660SJ) (SN 0300068000 to SN 0300073986)	
	1704111	1	CSA Spec (600SJ & 660SJ) (SN 0300073986 to SN 0300087000)	
	1704108	1	Korean Spec - 600S	
52	Not Used		Latin American Spec	
53	0641406	4	Bolt 1/4in-20NC x 3/4in	
54	0100011	AR	Compound, Locking	
55 to 56	Not Used			
57		4	Decal - Tire Load Options:	
	1703470		Brazilian, CSA, Spec & Latin American Spec	
	1703472		Chinese Spec	
	1703470		Korean Spec - 600S	
58	0641414	2	Bolt 1/4in-20NC x 1-3/4in (SN 0300068000 to SN 0300076512)	
59 to 62	Not Used			
63	Not Required	AR	Decal - Legend Options:	
	1703808	0	Brazilian, Chinese, Japanese, Korean & Latin American Specs	
	1704885	1	CSA Spec	
64		2	Decal - Website	
	2900937	1	Decal Kit - Brazilian Spec & Japanese Spec (Includes Items 1-16, 20-24, 46,47 & 57)	
	2910045	1	Decal Kit - Brazilian Spec with Ear (Includes Items 15,16, 37-40, 44,45 & 48)	
		Ref	DECAL INSTALLATION (OPTIONAL PARTS)	
101		1	Decal - Fuel Options:	
	1701505		Diesel	
	1701542		Gas	
102	1701543	1	Decal - LP Gas (Dual Fuel Machines Only)	
103		AR	Decal - Liquid Withdrawal System Options: (Dual Fuel Machines Only)	
	Not Required	0	Brazilian Spec & Japanese Spec	
	1700818	2	Chinese & Korean Spec	
	1704271	2	CSA Spec	
	1702720	2	Latin American Spec	
104		1	Nameplate - Steer/Tow Selection (Machines with Tow Package Only)	
	Not Required	0	Brazilian, Chinese, Japanese, Korean & Latin American Spec	
	1704272	1	CSA Spec	

SECTION 8 DECALS

FIGURE 8-2. DECAL INSTALLATION (COUNTRY SPEC) (CONTINUED)

ITEM #	PART NUMBER	QTY.	DESCRIPTION	REV.
105		1	Decal - Tow Instructions Options: (Machines with Tow Package Only)	
	Not Required	0	Brazilian, Chinese, Japanese, Korean & Latin American Spec	
	1704273	1	CSA Spec 2WD	
	1704276	1	CSA Spec 4WD	

SECTION 8 DECALS

FIGURE 8-2. DECAL INSTALLATION (COUNTRY SPEC) (CONTINUED)

ITEM #	PART NUMBER	QTY.	DESCRIPTION	REV.

SECTION 9 RECOMMENDED SERVICE PARTS STOCK

MODEL 600SJ/660SJ

The following list will service one machine (built to current production per date on the front cover) with emergency repair parts which can be installed in the field. Parts from the list should be replaced when inventory is depleted to keep service parts stock supplied. For further information, contact your JLG dealer or the JLG Industries Parts Department.

Part Number	Description	Qty./Machine
STANDARD PARTS		Ref
2120150	Element Filter	4
7020020	Switch, Indicator	1
7012944	Coil	1
7012772	Coil	1
2120149	Element, Filter	1
7020021	Switch, Indicator	1
70000582	Coil	1
7012664	Element, Air Cleaner	1 Dozen
3740067	Relay	1
4360392	Switch, Indicator	1
7024444	Breather, Hydraulic Tank	1
4360328	Switch, Toggle	1
4360469	Switch, Key	1
2860030	Key, Replacement	1
4360475	Switch, Mushroom	1
3740049	Relay	1
2940074	Latch	1
4360331	Switch, Toggle	1
4360407	Controller, Speed	1
4360387	Switch, Push Button	1
1001129555	Controller (Lift and Swing)	1
1001118416	Controller (Drive and Steer)	1
2400065	Fuse, 30Amp	2
3990010	Diode	2
VARIABLE PARTS		Ref
7026830	Filter, Fuel (Caterpillar Engine Machines)	1 Dozen
7026811	Filter, Oil (Caterpillar Engine Machines)	1 Dozen
7016328	Filter, Fuel (Deutz Engine Machines)	1 Dozen
7016331	Filter, Oil (Deutz Engine Machines)	1 Dozen
91083218	Filter, Fuel (Ford Engine Machines)	1 Dozen
7021868	Filter, Oil (Ford Engine Machines)	1 Dozen
1600364	Module - ADE (Ground Control) (Caterpillar & Ford Engine)	1
1600411	Module - ADE (Ground Control) (Deutz Engine)	1
4360578	Switch, Limit	1
3740080	Relay (Machines with Generator)	1
4360336	Switch, Toggle (Machines with Generator)	1
70002005	Powertrack Repair Section (600S) (Gortrac Brand)	1
70002007	Powertrack Repair Section (660SJ) (Gortrac Brand)	1
7016530	Power Track - Repair Section (Gemco Brand)	2
7006138	Power Track - Pin Kit (Gemco Brand)	24
4360336	Switch, Toggle (Machines with Dual Fuel)	1

SECTION 9 RECOMMENDED SERVICE PARTS STOCK

MODEL 600SJ/660SJ

The following list will service one machine (built to current production per date on the front cover) with emergency repair parts which can be installed in the field. Parts from the list should be replaced when inventory is depleted to keep service parts stock supplied. For further information, contact your JLG dealer or the JLG Industries Parts Department.

Part Number	Description	Qty./Machine
4360336	Switch, Toggle (Machines with Headlights)	1
4360232	Breaker, Circuit (Machines with Worklights)	1
1600375	Module - ADE (Platform Control)	1

SECTION 10 SPECIAL OPTIONS

Note: This list is to accommodate machines ordered with special equipment. Options may not be applicable to all models. For more specific parts information contact JLG Parts Department.

FIG&ITEM#	PART NUMBER	QTY.	DESCRIPTION	REV.
10-1		Ref	MISCELLANEOUS SPECIAL OPTIONS	
		Ref	Airline to Platform Installation Options:	
	0255388	Ref	1/2in 600S & 600SJ	
	0255389	Ref	1/2in 660SJ	
	0255400	Ref	Alternator Installation - Enclosed	
	0274219	Ref	Battery Disconnect Switch	
	0270723	Ref	Beacon Light Installation (On Platform)	
	0256273	Ref	Boom Wipers Installation (Brush Type)	
	0273834	Ref	Cable Installation - 600S (Fog Cannon)	
	0256789	Ref	Camera Mount Assembly	
		Ref	ClearSky Telematics Kit (Dealer Installed)	
	1001102841	Ref	ANSI Spec	
	1001102842	Ref	ANSI Export/CE/Japanese Specs	
	1001139132	Ref	Australian Spec	
	1001104985	Ref	CSA Spec	
		Ref	Note: Refer to ClearSky (Telematics) Manual p/n 3128499 for Service Parts.	
		Ref	Cold Weather Package Installation Options:	
	0273575	Ref	Caterpillar Engine	
	0256060	Ref	Deutz	
	0271548	Ref	Deutz (With Glow/Plugs)	
	0255386	Ref	Ford	
		Ref	Container - Tray Storage Options:	
	1580012	1	Center	
	1580013	1	Rail	
		Ref	Decal Installations Options:	
	1702788	1	Biodegradable Hydraulic Fluid Decal	
	1704174	1	Biodegradable (Synthetic) Hydraulic Fluid Decal	
	0253550	Ref	CSA Decal Installation	
	0274455	Ref	FedEx Decal Installation	
	0257195	Ref	Government Warranty Decal Installation	
	0273246	Ref	Hertz Decals Installation	
	0274528	Ref	Head & Engquist Equipment L.L.C (H&E) Decals Installation	
	0256957	Ref	Lanyard Attach Decal Installation (GM K-1 Spec)	
	0274243	Ref	National Equipment Services (NES) Decals Installation	
	0270465	Ref	Nations Rent Decals Installation	

SECTION 10 SPECIAL OPTIONS

Note: This list is to accommodate machines ordered with special equipment. Options may not be applicable to all models. For more specific parts information contact JLG Parts Department.

FIG&ITEM#	PART NUMBER	QTY.	DESCRIPTION	REV.
	Continued	Ref	Decal Installations Options:	
	1702868	Ref	No Hands Decal (Platform With Mesh to Top Rail)	
	1704000	Ref	No Hands Decal - CSA (Platform With Mesh to Top Rail)	
	0256487	Ref	Prop 65 Warning Decal Installation (Diesel Machines) (California Spec)	
	0256488	Ref	Prop 65 Warning Decal Installation (Gasoline Machines) (California Spec)	
	0273687	Ref	SkyAir Decal Installation (ANSI/ANSI Export/CSA Specs)	
	0272599	Ref	SkyCutter Decal Installation (ANSI/ANSI Export/CSA Specs)	
	0272607	Ref	SkyCutter Decal Installation (Brazilian/Japanese/Latin American Specs)	
	0272418	Ref	SkyGlazier Decal Installation (ANSI/Brazilian/CSA/Latin American Specs Model 600S Only)	
	0272589	Ref	SkyPower Decal Installation (Brazilian/Japanese/Latin American Specs)	
	0272448	Ref	SkyWelder Decal Installation (ANSI/ANSI Export/CSA Specs)	
	0272588	Ref	SkyWelder Decal Installation (Brazilian/Japanese/Latin American Specs)	
	0271107	Ref	Sunbelt Decals Installation	
	0271893	Ref	United Decals Installations:	
	2902394	Ref	Drive/Steer Cutout Kit	
		Ref	Electrical Connector Kits	
	1001148902	Ref	Amp/Tyco Electrical Connector Kit	
	1001148903	Ref	Deutsch DT Electrical Connector Kit	
	1001148904	Ref	Deutsch HD Electrical Connector Kit	
	1001148905	Ref	Packard Electrical Connector Kit	
	1001148906	Ref	Various Electrical Connectors Kit	
	0274196	Ref	Engine Installations - UL	
		Ref	Engine Block Heater Installations:	
	2580055	Ref	Caterpillar Engine Machines	
	0274227	Ref	Deutz Engine Machines	
	0258696	Ref	Ford Engine Machines	
	0257157	Ref	Ether Start Installation (Deutz Engine Machines)	

SECTION 10 SPECIAL OPTIONS

Note: This list is to accommodate machines ordered with special equipment. Options may not be applicable to all models. For more specific parts information contact JLG Parts Department.

FIG&ITEM#	PART NUMBER	QTY.	DESCRIPTION	REV.
		Ref	Filter Kits:	
		1	Combined Filter Kit (Hydraulic/Air & Fuel/Engine Oil)	
	1001110994		Caterpillar Engines SN 0300068000 to SN 0300084827 (was p/n 2915137 & p/n 1001114031)	
	1001110991		SN 0300084827 to SN 0300087000 (was p/n 1001114123 & p/n 1001114124)	
	1001110993		Deutz Engines SN 0300068000 to SN 0300084827 (was p/n 2910463)	
	1001114036		SN 0300084827 to SN 0300087000	
	1001114042		Ford Engines Ford LRG-425(SN 0300068000 to SN 0300084827) (was p/n 1001114041)	
	1001114039		Ford LRG-425 W/EFI (SN 0300068000 to SN 0300084827) (was p/n 2910460)	
	1001109692	1	Hydraulic/Air Filter Caterpillar, Deutz & Ford (SN 0300068000 to SN 0300084827) (was p/n 2910924)	
	1001109684		Deutz Engines (SN 0300084827 to SN 0300087000) (was p/n 1001114132)	
	1001110133	1	Fuel/Engine Oil Filter (Deutz Engines Only)	
	4060959	Ref	Footswitch Shield (Note: Move Decal to Shield)	
	1120362	Ref	Fuel Cap w/Gage	
	0271333	Ref	Glow Plugs Installation (Deutz Engine Machines) Options:	
	0271912	Ref	SN 0300068000 to SN 0300082632	
	2901691	Ref	SN 0300082632 to SN 0300087000	
	0861675	Ref	Glow Plugs in Intake Kit (Deutz Engine Machines)	
		Ref	Ground Control Box Assembly (UL Machines)	
	1001126287	Ref	Hood (Steel) Replacement Kit	
	1001126286	Ref	Caterpillar Engine Machines	
	See Note	Ref	Deutz Engine Machines	
		Ref	Ford Engines Machines (Note: Not Available for Purchase.)	
	2300014	Ref	Hydraulic Fluids Options:	
	2300027	Ref	Mobil 424	
	2300029	Ref	Mobil 224H Bio	
	2300016	Ref	Mobil EAL ISO 46 Bio	
	2300019	Ref	Mobil DTE 13M	
		Ref	Quaker State Quintolubric 888-46 Fire Res.	
	0255439	Ref	Intercom Communication System Installation	

SECTION 10 SPECIAL OPTIONS

Note: This list is to accommodate machines ordered with special equipment. Options may not be applicable to all models. For more specific parts information contact JLG Parts Department.

FIG&ITEM#	PART NUMBER	QTY.	DESCRIPTION	REV.
		Ref	Loop Flushing Installations	
	0273741	Ref	2WD	
	0273738	Ref	4WD	
	1001147699	Ref	Manual Storage Box Relocation Kit	
		Ref	Oil Cooler Installations	
	0256762/1282665	Ref	Deutz Engine Machines	
	0272041/1283309	Ref	Ford Engine Machines	
		Ref	Oxy-Acetylene Lines to Platform Installation Options:	
	0255390	Ref	600S & 600SJ	
	0255391	Ref	660SJ	
	0257728	Ref	Pipe Jack Installation	
	0258703	Ref	Platform Console Cover Installation	
		Ref	Platform Entry Kit	
	1001142504	Ref	Kit, Replace Swing Gate with Drop Bar	
	1001142505	Ref	Kit, Replace Drop Bar with Swing Gate	
		Ref	Platform Huck Fasteners Replacement Hardware	
	0641416	AR	Bolt 1/4in-20NC x 2in	
	3311405	AR	Locknut 1/4in-20NC	
	4711400	AR	Flatwasher 1/4in	
	3300151	AR	Acorn Nut 1/4in-20NC	
		Ref	Platform Mesh to Top Rail Installation (Side-Entry)	
	0273147	Ref	30in x 48in Platform	
	0273146	Ref	30in x 60in Platform	
	0273148	Ref	30in x 72in Platform	
	0273149	Ref	36in x 72in Platform	
	0273145	Ref	36in x 96in Platform	
	1001149730	Ref	Platform Mid Rail Repair Kit	
		Ref	Platform Top Rail Extension (W/Side Entry)	
	0272733	Ref	3ft x 6ft Platforms	
	0272725	Ref	3ft x 8ft Platforms	
		Ref	Power Track Hose & Clamp Kit	
	2910073	Ref		
	1320247	1	Clamp, Nylon	
	0641522	1	Bolt 5/16in-18NC x 2-3/4in	
	3311505	1	Locknut 5/16in-18NC	
	4711500	2	Flatwasher 5/16in	
	2753084	1	Hose	

SECTION 10 SPECIAL OPTIONS

Note: This list is to accommodate machines ordered with special equipment. Options may not be applicable to all models. For more specific parts information contact JLG Parts Department.

FIG&ITEM#	PART NUMBER	QTY.	DESCRIPTION	REV.
	0861586	Ref	Remote Control Box	
	0861653	Ref	Remote Control Box (600S Only)	
	4240151	1	Strap Assembly	
	4923045	1	Harness Remote Control Cable	
	0861681	Ref	Remote Control Box - Tethered (600S Only)	
		Ref	Note: For Breakdown of Remote Control Box Refer to Manual p/n 3128930	
	2902300	Ref	Remote Oil Filter Kit - Required on Caterpillar Engine to Allow Sky Power 7500 Watt Generator to Fit. (SN 0300068000 TO SN 0300078183)	
	3574696	1	Bracket, Mounting Remote Filter	
		Ref	Sky Accessories:	
		Ref	Note: For Breakdown of Sky Accessories Refer to Accessory Manual p/n 3124242	
	0273450	Ref	SkyAir Compressor (ANSI/ANSI Export/CSA Specs)	
	0272590	Ref	Skycutter Plasma Cutter (ANSI/ANSI Export/CSA Specs)	
	0272606	Ref	SkyCutter Plasma Cutter (Brazilian/Japanese/Latin American Specs)	
	0273353	Ref	SkyCutter/Sky Welder Combo (ANSI/ANSI Export/CSA Specs)	
	0272395	Ref	SkyGlazier (Model 600S ANSI/CSA Spec Only)	
	0272387	Ref	SkyGlazier (Model 600S Latin America Spec Only)	
	0272955	Ref	SkyGlazier (Model 600S Brazilian Spec Only)	
	0273541	Ref	SkyPower 7500W/50Hz Generator (Caterpillar Engine/ Japanese & Latin American Specs)	
	0272492	Ref	SkyPower 7500W/50Hz Generator (Deutz Engine/Japanese & Latin American Specs)	
	0272640	Ref	SkyPower 7500W/60Hz Generator (Deutz Engine/Brazilian Spec)	
	0272254	Ref	SkyWelder (ANSI/ANSI Export/CSA Specs)	
	0272521	Ref	SkyWelder (Brazilian/Japanese/Latin American Specs)	
		Ref	SkyGuard Component Options:	
	1001149560	Ref	SkyGuard Complete Add-On Kit (Non-UGM Machines)	
	1001137672	Ref	SkyGuard Platform Sensor Kit	
	1001143256	Ref	SkyGuard Blue Beacon Kit	
	0272302	Ref	Tire Sealant Installation	
	0272312	Ref	Tire Sealant Decal Installation	
	2902203	1	Kit, Tire Sealant Decal	

SECTION 10 SPECIAL OPTIONS

Note: This list is to accommodate machines ordered with special equipment. Options may not be applicable to all models. For more specific parts information contact JLG Parts Department.

FIG&ITEM#	PART NUMBER	QTY.	DESCRIPTION	REV.
		Ref	Tools for Service	
	7002840	1	Antirotation Pin Removal Tool	
	8896941	1	Wire Stripper	
	7002821	1	Wire Crimper (To install wire ends to wires)	
	7002823	1	Pin/Socket Extractor - Universal (To Remove Pins/Sockets from Connectors)	
	4460467	1	Extractor - 16-18 Gauge (For Removal of Pin/Sockets from Deutsch Connectors)	
	4460510	1	Extractor - 12-14 Gauge (For Removal of Pin/Sockets from Deutsch Connectors)	
	7002822	1	Screwdriver, Potentiometer (To Adjust Drive Controllers)	
	7016654	1	Screwdriver, Magnetic	
	7004275	1	Seal Installation Tool - 1in	
	7004276	1	Seal Installation Tool - 1-1/2in	
	7002826	1	Seal Installation Tool - 2in	
	7016655	1	Wire Rope Sheave Gauge	
	7016652	1	Huck Bolt Faster (For Small Huck Bolts Only)	
		Ref	Tool (Hydraulic) Installations Options:	
	0272347	Ref	600S	
	0272348	Ref	600SJ	
	0272349	Ref	660SJ	
	0258918	Ref	Utility Rack Installation	

SECTION 11 PARTS NUMBER INDEX

Part Number	Page	Part Number	Page	Part Number	Page	Part Number	Page
0060031	3-8, 3-17	0181727	2-24, 2-31, 2-38, 2-46, 2-56	0256672	8-7	0271003	1-11
0060034	3-17			0256673	8-7	0271004	1-11
0060066	3-8, 3-21	0181949	2-78	0256689	2-33, 2-39	0271005	1-19
0060067	3-3, 3-21	0200048	4-27	0256690	2-33, 2-39	0271014	8-3
0060074	3-8, 3-17	0200547	2-112	0256762/1282665	6-22, 7-2, 10-4	0271107	10-2
0060075	3-3, 3-17	0200742	2-104, 2-108			0271250	2-77
0080163	2-35, 2-41	0200819	2-104	0256789	10-1	0271319	3-8
0080181	2-24	0239585	2-15	0256823	2-99	0271320	3-8
0080201	2-47, 2-57	0253550	10-1	0256830	2-98	0271333	10-3
0080214	2-46, 2-57	0254798	2-15	0256847	2-35, 2-41	0271372	3-23
0080220	5-12	0254849	2-77	0256936	3-9	0271545	2-111, 4-16
0080243	2-24	0254856	1-43	0256939	3-9	0271546	2-111, 4-16
0100009	4-14	0254857	1-43	0256957	10-1	0271548	10-1
0100011	1-3, 1-4, 1-7, 1-11, 1-12, 1-15, 1-16, 1-19, 1-21, 1-23, 1-43, 1-46, 1-53, 1-54, 2-5, 2-15, 2-24, 2-26, 2-32, 2-34, 2-38, 2-39, 2-45, 2-47, 2-50, 2-56, 2-57, 2-77, 2-78, 2-81, 2-83, 2-87, 2-92, 2-93, 2-99, 2-100, 2-104, 2-108, 2-112, 2-115, 2-119, 2-125, 3-3, 3-4, 3-9, 3-10, 3-13, 3-23, 4-7, 4-15, 4-27, 5-3, 5-7, 5-9, 5-11, 5-15, 5-17, 5-23, 6-16, 6-20, 8-4, 8-10	0255262	2-81	0257157	10-2	0271552	2-92, 4-16
		0255294	2-81	0257175	7-13	0271614	1-24
		0255315	2-3	0257195	10-1	0271615	1-24
		0255316	2-15	0257493	8-7	0271616	1-24
		0255329	8-3	0257494	8-7	0271617	1-24
		0255330	8-7	0257705	2-77	0271618	1-24
		0255331	8-3	0257728	10-4	0271619	1-24
		0255332	8-7	0257732	1-4	0271893	10-2
		0255333	8-3	0257744	1-19	0271912	10-3
		0255334	8-7	0257887	2-92, 7-13	0271940	4-4, 4-7
		0255335	2-91	0258390	2-50	0272041/1283309	6-22, 7-2, 10-4
		0255353	5-25	0258391	2-50		
		0255354	5-25	0258568	2-33	0272049	2-46, 2-53
		0255355	5-25	0258570	2-50	0272070	3-4, 3-10
		0255356	5-25	0258578	2-98	0272133	3-3
		0255363	1-49	0258607	2-77	0272137	3-8
		0255386	10-1	0258696	10-2	0272139	3-8
		0255388	10-1	0258703	10-4	0272255	2-119
		0255389	10-1	0258886	1-49	0272297	1-24
		0255390	10-4	0258918	10-6	0272298	4-4, 4-7
		0255391	10-4	0259328	8-7	0272302	10-5
		0255400	10-1	0259329	8-7	0272312	10-5
0100019	1-4, 2-15, 2-99, 2-115, 2-120, 2-125, 3-3, 3-9	0255439	10-3	0259330	8-7	0272317	1-24
		0255445	2-3	0259424	1-49	0272318	1-24
0100020	2-24, 2-26, 2-32, 2-38, 2-39, 2-43, 2-45, 2-47, 2-56, 2-57, 2-77, 2-78, 4-14, 4-15, 6-19	0255446	2-3	0259425	1-49	0272341	8-4
		0255447	2-3	0270120	1-23, 1-43	0272347	10-6
		0255524	2-78	0270121	1-23, 1-43	0272348	10-6
		0255698	2-91	0270329	2-15	0272349	10-6
		0255881	2-95	0270465	10-1	0272387	10-5
0100035	2-91, 4-13	0255917	2-92, 7-13	0270528	1-53, 1-54	0272395	10-5
0100038	1-7, 1-15, 5-3, 5-7, 5-9, 5-11, 5-15, 5-17, 5-23, 6-17, 6-20	0255929	5-25	0270723	10-1	0272418	10-2
		0255930	5-25	0270733	7-7	0272427	4-16, 4-27
		0256060	10-1	0270734	7-7	0272435	2-121, 2-127
		0256113	7-13	0270736	3-9, 7-7	0272448	10-2
0100040	4-7	0256122	2-99	0270738	3-9, 7-7	0272480	2-107, 4-16
0100048	2-48, 2-56, 2-87, 2-92, 4-14, 7-6	0256212	5-12	0270763	2-31	0272481	2-107, 4-16
		0256258	8-7	0270764	2-46, 2-53, 4-16	0272483	7-7
		0256273	10-1	0270765	2-45	0272484	7-7
0100062	2-77, 2-120	0256318	3-3	0270766	2-46	0272485	7-7
0100063	1-4, 5-11, 5-15	0256394	1-3	0270767	2-45	0272486	7-7
0100079	2-77	0256487	10-2	0270804	3-23	0272487	7-7
0100081	4-15	0256488	10-2	0270805	2-92	0272488	7-7
0140001	2-5	0256575	8-7	0270805/1283235	7-3	0272507	2-92, 7-13
0140011	4-13	0256621	1-3	0270814	4-4, 4-8, 4-17, 7-2	0272590	10-5
0140032	2-92	0256631	4-16	0270833	2-92	0272599	10-2
		0256663	8-7	0270868	1-12, 1-19	0272606	10-5

SECTION 11 PARTS NUMBER INDEX

Part Number	Page	Part Number	Page	Part Number	Page	Part Number	Page
0272725	10-4	0273537	8-7	0363202	2-125	0641414	1-3, 1-11, 2-48, 2-58, 4-4, 4-8, 4-14, 4-27, 8-4, 8-10
0272733	10-4	0273538	2-103	0400075	2-24, 2-31, 2-38, 2-46, 2-56	0641416	3-10, 4-14, 10-4
0272796	2-24	0273539	2-103	0440170	1-4, 1-7	0641418	2-5
0272817	2-125	0273540	2-119	0440171	1-4, 1-7	0641424	2-48
0272896	2-45	0273542	4-29	0440207	2-15	0641505	1-49, 1-50, 2-119, 2-125
0272955	10-5	0273575	10-1	0460150	5-25	0641506	2-5, 2-87, 2-99, 2-100
0272970	4-8, 4-15	0273592	2-45	0460151	5-25	0641507	2-24, 2-27, 2-34, 2-58
0272992	1-24	0273593	2-31	0460152	5-25	0641508	2-5, 2-32, 2-38, 2-48, 2-50, 2-56, 2-77, 2-104, 2-108, 2-112, 2-115
0272993	1-24	0273594	2-26	0460153	5-25	0641510	2-32, 2-39
0273001	1-24	0273595	2-26	0460158	5-25	0641512	2-99
0273048	1-23, 1-45	0273597	2-46	0460160	5-25	0641514	2-5, 2-27, 2-32, 2-38, 2-48, 2-56
0273049	1-23, 1-45	0273687	10-2	0460161	5-25	0641516	1-53, 2-119, 2-125, 4-29
0273052	2-83	0273692	2-38	0480050	2-112	0641518	4-9
0273067	1-46	0273693	2-38	0480111	2-108, 2-112	0641520	1-43
0273072	2-31	0273706	4-27	0480119	2-108	0641522	1-43, 3-24, 10-4
0273080	1-16, 1-21	0273738	10-4	0480120	2-104	0641524	4-4
0273081	1-7, 1-15	0273741	10-4	0480121	2-104, 2-108	0641532	1-45
0273082	2-3	0273824	4-16, 4-27	0480129	2-120	0641552	1-45
0273086	2-3	0273834	10-1	0480130	2-125	0641604	3-4, 3-9
0273087	2-3	0274018	2-53, 2-56	0480134	2-112	0641605	3-14
0273088	2-3	0274019	2-53, 2-56	0480135	2-115	0641606	2-26, 2-33, 2-39, 2-46, 2-56, 2-59, 2-78, 3-9, 3-14
0273145	10-4	0274081	2-103	0561076	3-14	0641607	1-46, 3-14
0273146	10-4	0274082	2-107	0561138	1-4	0641608	1-3, 1-4, 1-7, 1-11, 1-12, 1-16, 1-19, 1-21, 1-43, 1-49, 1-53, 2-5, 2-24, 2-27, 2-41, 2-47, 2-56, 2-58, 2-77, 2-78, 2-98, 2-125, 3-3, 3-9, 3-13, 3-14, 3-23
0273147	10-4	0274086	2-107	0561139	1-4	0641609	2-24, 2-95, 2-99
0273148	10-4	0274087	2-103	0561183	3-14	0641610	2-24, 2-27, 2-31, 2-38, 2-39, 2-41, 2-43, 2-47, 2-58, 2-104, 2-108, 3-14, 4-4, 4-7, 4-13
0273149	10-4	0274090	2-103	0561184	3-14	0641611	2-81, 2-115, 2-125, 3-9
0273150	1-7	0274152	1-24	0561185	3-14	0641612	1-3, 1-7, 1-12, 1-19, 2-58, 2-83, 2-115, 2-125
0273161	2-83	0274196	10-2	0561237	3-10	0641613	2-4, 3-14
0273224	2-45	0274209	4-9	0630078	1-4	0641614	2-77, 2-78, 3-9, 3-15
0273225	2-46	0274210	2-93	0630458	3-3, 3-9, 3-23		
0273226	1-7, 1-15	0274219	10-1	0630462	4-27		
0273238	1-24	0274227	10-2	0630464	4-13		
0273239	1-25	0274233	2-43	0630490	1-8		
0273240	1-25	0274243	10-1	0630491	2-92		
0273242	1-24	0274297	2-38	0630498	2-24, 2-31, 2-38, 2-46, 2-56		
0273243	1-24	0274298	2-38	0630507	2-98		
0273244	1-24	0274316	2-3	0630518	2-87		
0273246	10-1	0274317	2-3	0630534	5-7, 5-15, 5-17		
0273353	10-5	0274318	2-3	0630535	5-3, 5-9, 5-17, 5-23		
0273356	1-21	0274319	2-3	0630536	5-11		
0273357	1-21	0274322	1-24	0630548	2-88		
0273362	1-46	0274455	10-1	0630568	4-16		
0273366	1-23, 1-45	0274489	2-56	0641403	2-91, 2-120, 3-15		
0273367	1-23, 1-45	0274490	2-56	0641404	2-120, 3-24, 4-14		
0273369	3-3	0274491	2-24	0641405	2-115, 2-125		
0273379	1-7, 1-15	0274492	2-26	0641406	2-24, 2-47, 2-57, 2-92, 2-99, 4-4, 4-7, 8-4, 8-10		
0273394	1-16, 1-53	0274493	2-26	0641407	2-24, 2-27, 2-32, 2-39, 2-57		
0273398	1-53	0274528	10-1	0641408	2-47, 2-56, 2-57, 4-4, 4-7, 4-13, 5-12, 8-3, 8-8		
0273422	1-7, 1-53	0340041	2-24, 2-31, 2-39, 2-47, 2-57	0641410	2-38, 2-48, 2-56		
0273448	1-53	0340046	2-24, 2-34, 2-50, 2-57	0641412	2-77		
0273450	10-5	0362519	1-49, 1-50, 2-79				
0273486	4-4, 4-8, 4-17, 7-2	0362528	2-91				
0273490	4-4, 4-8, 4-17, 7-2	0362910	1-54				
0273491	4-4, 4-8, 4-17, 7-2	0363012	1-45				
0273507	2-115	0363082	2-115				
0273511	2-115	0363097	2-115, 2-125				
0273518	2-103	0363201	2-125				
0273521	2-26						
0273536	8-7						

SECTION 11 PARTS NUMBER INDEX

Part Number	Page	Part Number	Page	Part Number	Page	Part Number	Page
0641618	1-45, 2-120, 3-9, 3-14	0701016	2-125	0902351	2-98	1001097554	2-28
0641634	3-14	0701022	2-45	0902384	2-99	1001098503	1-45, 1-46
0641638	3-14	0701210	2-104	0902416	2-98	1001100120	1-45
0641640	3-14	0701214	2-24	0902472	2-34, 2-50	1001100321	2-103, 2-107, 2-111, 2-115
0641648	3-23	0701414	2-24, 2-32, 2-40	0902491	2-98	1001102841	10-1
0641708	2-125	0721003	1-4, 1-7, 4-17	0902520	2-81	1001102842	10-1
0641718	2-115	0721004	1-54	0902539	2-45, 2-59	1001103095	3-8, 3-17
0641772	2-104, 2-108, 2-112	0721005	4-27	0902572	2-48	1001104985	10-1
0641807	3-23	0721006	2-25, 2-45, 2-99, 2-105, 2-108, 2-112	0902751	4-14	1001109684	10-3
0641808	2-24, 2-27, 2-33, 2-38, 2-47, 2-48, 2-56, 2-120	0721008	4-15	0902756	2-112	1001109692	10-3
0641810	2-115, 2-125, 3-3, 3-9	0721014	2-45	0902888	2-120, 2-126	1001110133	10-3
0641811	2-83	0741606	2-92, 2-115, 2-125	0902910	2-28	1001110169	2-15, 2-19
0641812	2-27, 2-32, 2-39, 2-45, 2-57, 3-4, 3-10	0741607	1-53, 1-54, 3-3, 3-9	0902952	2-115	1001110991	10-3
0641813	4-29	0741612	3-14	0903010	2-60	1001110993	10-3
0641814	1-3, 1-7, 1-11, 1-15	0741808	2-115, 2-125	0903056	2-83	1001110994	10-3
0641818	2-31, 2-39, 2-95	0760606	2-58	0903079	2-58	1001113961	4-23, 4-24
0641820	2-81, 2-83, 3-4, 3-9	0801009	3-3, 3-13	0903220	2-28	1001114031	10-3
0641824	3-14	0801010	3-8, 3-13	0920117	1-23	1001114036	10-3
0641826	2-31, 2-39	0801011	3-13	0920119	1-23, 2-15	1001114039	10-3
0641828	2-24, 2-47, 2-58	0801012	3-13	0940070	2-24, 2-31, 2-40, 2-47, 2-59	1001114041	10-3
0642010	1-54, 2-26, 2-33, 2-38, 2-48, 2-56	0801014	3-13	0940071	2-98	1001114042	10-3
0642012	1-3, 1-7, 1-11, 1-15, 1-16, 1-21, 3-3, 3-9	0801035	3-8, 3-13	0940088	2-99	1001114123	10-3
0642018	2-15	0801036	3-13	0940092	4-27, 4-29	1001114124	10-3
0642612	2-92, 2-93, 3-23	0801037	3-13	0940094	4-27, 4-29	1001114132	10-3
0642684	3-4, 3-10	0801038	3-13	0940103	4-27	1001117320	4-8, 4-15
0651406	2-5	0801038	3-13	0940131	4-29	1001118416	4-14, 4-23, 9-1
0681608	3-4, 3-10, 3-15	0801065	3-13	0940133	4-27	1001118417	4-14
0681610	1-4, 1-12, 1-19, 3-4, 3-9, 3-14	0801372	3-13	0940134	4-27	1001121592	4-27
0681612	3-14	0801373	3-13	0961816	5-3	1001121593	4-27
0681810	1-23	0801381	3-3, 3-13	0961893	5-7, 5-15, 5-17	1001126286	2-98, 10-3
0681814	4-11	0801388	3-8, 3-13	0961894	5-9, 5-17	1001126287	2-98, 10-3
0681822	4-11	0801389	3-8, 3-13	0961895	5-3	1001129555	4-14, 4-19, 4-20, 9-1
0681836	2-15	0860038	2-119, 2-125, 7-13	0961897	5-23	1001137672	10-5
0682012	1-4	0860520	8-3, 8-8	0961898	5-11	1001139132	10-1
0682014	1-4, 2-99	0861389	2-87	0961947	3-9, 5-7, 5-17	1001142504	10-4
0682016	1-23, 2-15	0861414	4-13, 4-15	0961950	1-3, 1-4, 1-7, 1-11, 1-15, 3-4, 3-9, 3-13, 5-11	1001142505	10-4
0700808	2-24, 2-32, 2-39	0861478	2-87	0961951	3-4, 3-9, 3-13, 5-9, 5-17	1001143256	10-5
0700810	2-35, 2-41, 2-45	0861479	2-87	0961977	1-4, 1-8, 1-12, 1-16, 1-19, 1-21, 5-21	1001144023	4-7
0700812	2-34	0861480	2-87	0961986	2-24, 2-32, 2-40, 2-48, 2-58	1001144024	4-7
0700815	2-120	0861481	2-87	0962006	3-4, 3-9	1001144025	4-7
0700816	2-104	0861511	4-13	0962036	1-4	1001144026	4-7
0700819	2-48, 2-58	0861537	4-13, 4-16	0962051	2-95	1001144027	4-7
0701010	2-24	0861541	2-121, 2-127	0962131	1-8, 1-12, 1-16, 1-19, 1-21	1001144629	4-7
0701012	2-24, 2-33, 2-39, 2-47, 2-58	0861542	2-119, 2-121, 2-125, 2-127	0962270	4-11	1001145405	4-7
0701014	2-39, 2-45, 2-58	0861586	10-5	0962292	1-53	1001147699	10-4
0701015	2-24, 2-33, 2-39, 2-112, 2-115, 2-125	0861619	2-87	0962336	5-15	1001148902	10-2
		0861620	2-87	0962348	1-53	1001148903	10-2
		0861653	10-5	0962496	5-3	1001148904	10-2
		0861675	10-3	0962520	2-120, 2-125	1001148905	10-2
		0861681	10-5	0962521	2-125	1001148906	10-2
		0862335	3-9	0962563	2-104	1001149560	10-5
		0902143	2-98	0962653	2-104	1001149730	10-4
		0902161	2-98			1060279	8-3, 8-8
		0902206	2-92, 2-93			1060341	4-27, 7-14, 7-15
		0902219	2-99			1060343	2-121, 2-127
		0902223	2-98			1060461	7-8
		0902309	2-50				

SECTION 11 PARTS NUMBER INDEX

Part Number	Page	Part Number	Page	Part Number	Page	Part Number	Page
1060494	2-121, 2-127, 7-8, 7-14, 7-15	1600313	4-13	1683963	5-9	1702868	8-3, 10-2
1060584	1-54	1600314	2-46, 2-49	1683972	5-17	1702901	8-4
1060617	5-12	1600317	4-14, 4-19	1683973	5-17	1702902*	8-4
1060637	2-24, 2-33, 2-38, 2-48, 2-56	1600318	4-14, 4-23	1683976	5-7	1702903	8-9
1060680	7-8	1600327	2-87	1683977	5-7	1702903*	8-4
1060708	2-121, 2-127	1600361	2-28	1683986	5-3	1702904	8-4, 8-9
1060896	7-7	1600363	2-49	1684090	5-15	1702908	8-4
1060903	4-27	1600364	2-87, 9-1	1684092	5-15	1702938	4-16, 4-27
1060904	2-26	1600374	2-59	1684191	5-3	1702966	8-4
1060918	4-8, 4-14, 4-15, 7-6	1600375	4-13, 9-2	1684280	1-7, 1-15, 5-5	1702968	1-49
1060945	7-8	1600411	2-87, 9-1	1684289	5-5	1702971	8-7
1060977	7-15	1660219	2-81	1684290	5-5	1702972	8-8
1061026	7-8, 7-9	1660219RR	2-81	1700584	8-3, 8-8	1702973	8-8
1061027	7-8	1660223	2-81	1700818	8-4, 8-10	1702974	8-9
1100086	1-3, 1-11	1660223RR	2-81	1701499	8-3, 8-8	1702975	8-8
1118417	4-19	1660234	2-35, 2-41	1701500	2-99, 8-3, 8-8	1702976	8-9
1120304	1-4, 1-8	1660239	2-24	1701502	8-3, 8-7	1702977	8-9
1120362	10-3	1660250	2-49, 2-59	1701503	8-3, 8-7	1702978	8-10
1120484	2-77	1660257	2-83	1701504	8-3, 8-7	1703004	8-9
1120487	2-77	1660258	2-83	1701505	2-27, 2-33, 2-38, 8-4, 8-10	1703005	8-9
1120552	1-24, 1-25	1660303	2-83	1701509	8-3, 8-7	1703006	8-9
1180345	3-23	1660304	2-83	1701518	8-7	1703162	2-24, 2-31, 2-40, 2-46, 2-58
1180359	3-23	1670769	3-9	1701518	8-7	1703181	8-3
1220078	3-13	1670771	2-99	1701529	8-3, 8-8	1703188	8-9
1260017	2-15	1670779	2-99	1701532	2-88	1703403	1-50, 8-4
1300019	1-24, 1-25	1670818	2-91	1701542	2-56, 8-4, 8-10	1703404	1-50
1320012	2-24, 2-46, 2-58	1670824	2-91	1701543	2-56, 8-4, 8-10	1703444	1-50
1320016	2-24, 2-31, 2-40, 2-47, 2-58	1670829	2-87, 4-13	1701645	8-3	1703450	1-50
1320019	2-45	1670836	3-15	1701923	8-9	1703453	8-7
1320022	2-24, 2-27, 2-32, 2-38, 2-40, 2-43, 2-45, 2-47, 2-56, 2-58	1671037	4-15	1701924	8-9	1703465	2-87
1320032	2-48	1671055	3-3, 3-9	1702137	1-25	1703466	2-87
1320033	2-58	1671092	2-121, 2-127	1702153	8-3	1703470	8-4, 8-10
1320041	2-125	1683053	5-7, 5-15, 5-17	1702300	8-3, 8-8	1703472	8-10
1320060	2-46	1683055	5-9, 5-17	1702305	8-4	1703533	6-17, 6-21
1320070	5-12	1683057	5-23	1702387	4-16	1703536	8-9
1320127	2-78	1683059	5-3	1702552	8-8	1703538	8-9
1320176	2-33, 2-40	1683067	5-11	1702564	4-14	1703541	8-9
1320218	2-78	1683078	1-3, 1-11, 5-3	1702565	4-14	1703542	8-9
1320220	2-78	1683208	1-4, 1-8, 1-12, 1-16, 1-19, 1-21, 5-21	1702566	4-14	1703543	8-9
1320222	2-57	1683250	5-23	1702567	4-14	1703548	8-9
1320223	2-26, 2-33, 2-40, 2-47, 2-59	1683258	3-8, 5-15	1702573	8-8	1703797	8-3
1320224	2-120, 2-125	1683263	3-8, 5-17	1702581	8-8	1703798	8-3
1320235	3-4, 3-9	1683266	3-3, 5-17	1702583	8-7	1703804	8-3
1320245	2-77	1683275	3-3, 3-8, 5-11	1702585	8-7	1703805	8-3
1320247	3-23, 10-4	1683359	5-23	1702590	2-116	1703808	8-4, 8-10
1321138	2-58	1683415	3-3, 5-7	1702610	2-87	1703899	8-8
1340060	2-24, 2-31, 2-40, 2-47, 2-58	1683418	3-8, 5-9	1702676	4-4, 4-8, 4-14	1703924	8-8
1380147	2-95	1683418	3-8, 5-9	1702688	8-4, 8-10	1703925	8-8
1580011	2-24, 2-46, 2-60	1683609	3-8, 5-15	1702701	1-24, 1-25	1703927	8-8
1580012	4-9, 10-1	1683618	3-13, 5-23	1702720	8-10	1703930	8-7
1580013	4-9, 10-1	1683619	5-23	1702773	4-11, 8-3, 8-8	1703931	8-7
		1683620	3-13, 5-23	1702774	8-3, 8-8	1703933	8-7
		1683621	5-23	1702784	8-3, 8-8	1703936	8-7
		1683666	3-3, 3-8, 5-11	1702788	10-1	1703937	8-7
		1683949	5-17	1702815	8-3, 8-8	1703939	8-7
		1683952	5-9	1702816	8-3, 8-8	1703948	8-7
		1683954	5-11	1702817	8-3, 8-8	1703949	8-7
		1683955	5-11	1702861	8-3, 8-8	1703951	8-7
		1683962	5-17	1702862	8-3, 8-8		

SECTION 11 PARTS NUMBER INDEX

Part Number	Page	Part Number	Page	Part Number	Page	Part Number	Page
1703981	8-9	2000281	2-39	2220407	6-19	2220861	6-11
1703982	8-9	2000296	2-57	2220408	6-15, 6-19	2220873	6-15, 6-17, 6-19, 6-21
1703996	8-9	2000297	2-57	2220409	6-16, 6-20	2220883	1-39, 5-7, 5-9, 5-11, 5-15
1704000	8-8, 10-2	2000298	2-57	2220414	6-16	2220885	.5-3, 5-7, 5-9, 5-15, 5-18, 5-23
1704006	8-8	2060025	2-24, 2-31, 2-40, 2-46, 2-58	2220415	6-4, 6-11, 6-13, 6-15, 6-19	2220886	1-39, 5-3
1704099	8-9	2080040	4-4, 4-7	2220418	2-78	2220887	5-11
1704100	8-9	2080044	3-9	2220428	6-15, 6-19	2220893	2-5
1704103	8-9	2120145	2-5	2220429	6-15, 6-19	2220906	6-16, 6-20
1704107	8-10	2120146	2-4	2220430	2-46	2220909	6-16
1704108	8-10	2120149	2-5, 9-1	2220435	6-7	2220914	6-8, 6-17
1704111	8-10	2120150	2-4, 9-1	2220451	2-31, 2-40, 6-4	2220921	6-15, 6-19
1704112	8-10	2120164	2-5	2220459	2-32	2220947	2-72, 6-15, 6-19
1704116	8-9	2120203	2-43	2220462	6-16	2220948	6-16, 6-20
1704174	10-1	2120209	2-4	2220465	6-3, 6-7	2220950	6-16, 6-20
1704260	4-13	2120210	2-4	2220466	6-3, 6-7, 6-15, 6-19	2220974	6-16, 6-20
1704269	8-9	2160003	2-15	2220468	6-13, 6-16, 6-20	2221018	2-78
1704270	8-9	2180125	2-78	2220472	6-7, 6-8, 6-16, 6-20	2221019	2-78
1704271	8-10	2180344	2-15	2220473	6-3, 6-4, 6-11, 6-16, 6-20	2221024	2-78
1704272	1-49, 1-50, 1-53, 8-10	2180348	2-38	2220474	6-19	2221042	6-20
1704273	1-49, 8-11	2180380	6-17, 6-21	2220479	2-72, 6-16, 6-20	2221170	6-4
1704274	1-50	2180387	2-78	2220490	6-3, 6-13	2221176	2-38, 2-43, 2-56
1704276	1-50, 8-11	2180388	2-78	2220497	6-16, 6-20	2300004	2-57
1704277	8-3, 8-8	2180389	2-78	2220498	6-15, 6-19	2300014	10-3
1704578	1-53	2180418	2-53, 2-78	2220499	6-7	2300016	10-3
1704885	8-4, 8-10	2180467	2-47, 2-48, 2-58	2220500	6-3, 6-7, 6-16, 6-20	2300019	10-3
1704997	4-14	2180536	2-26, 2-32	2220502	6-3, 6-4, 6-7, 6-11, 6-13	2300027	10-3
1705014	4-11	2180724	6-17, 6-21	2220549	2-27	2300029	10-3
1705090	1-53	2180798	2-24, 2-31, 2-40, 2-47, 2-58	2220550	6-7	2360376	1-11
1705132	4-15	2200222	2-17, 2-78	2220568	6-3	2360414	1-11
1705325	2-105	2200233	2-77	2220574	6-16, 6-19	2360415	1-11
1705363	8-4	2220005	2-53	2220577	6-13	2360451	1-11
1705364	1-24, 1-25	2220063	2-15	2220578	2-72, 6-15, 6-19	2360452	1-11
1705374	2-121, 2-127	2220064	2-53	2220582	6-3, 6-4, 6-7, 6-8, 6-11, 6-13, 6-15, 6-19	2360453	1-11
1705375	2-121, 2-127	2220235	5-11, 6-3, 6-8, 6-15	2220596	6-7, 6-11, 6-15, 6-19	2360615	1-15
1705376	2-121, 2-127	2220237	6-3, 6-11	2220603	6-13, 6-16, 6-20	2360623	1-15
1705387	2-121, 2-127	2220240	6-3	2220605	6-15	2360624	1-15
1705460	2-121, 2-127	2220242	6-3	2220606	6-4, 6-11	2360634	1-15
1705753	2-87	2220250	2-26, 2-32, 2-47	2220609	6-16, 6-20	2360635	1-15
1705820	1-53	2220261	2-78	2220618	6-16, 6-20	2360636	1-15
1706385	4-11	2220273	2-26, 2-32	2220619	6-13	2400060	2-122, 2-127, 7-12
1870132	7-3	2220307	6-4	2220622	6-7, 6-8	2400061	7-12
1870191	7-3	2220313	2-26, 2-32, 2-38, 2-56	2220628	6-15, 6-19	2400064	2-122, 2-127
2000172	2-45, 2-48	2220362	6-3, 6-7, 6-11	2220635	6-13	2400065	7-9, 7-12, 9-1
2000174	2-45, 2-48, 2-53	2220363	6-3, 6-8	2220646	2-72, 6-3, 6-7, 6-15, 6-19	2400066	7-9, 7-15
2000189	2-31, 2-34	2220365	6-3	2220671	6-3, 6-7	2400070	7-15
2000193	2-45, 2-48, 2-53	2220371	6-3, 6-11, 6-13	2220710	6-3	2410014	4-11
2000194	2-24, 2-27	2220372	6-15, 6-19	2220738	6-7, 6-20	2420172	2-87
2000211	2-57	2220373	6-3, 6-11, 6-15, 6-19	2220767	2-25	2420187	2-49, 2-59
2000216	2-40, 2-41	2220375	6-3, 6-7, 6-11, 6-15, 6-19	2220794	2-27, 2-33	2420203	2-104, 2-107, 2-111, 2-116
2000219	2-39	2220376	2-75, 6-15, 6-19	2220800	6-7	2460013	2-103, 2-107, 2-111
2000220	2-39	2220377	6-3, 6-7, 6-11, 6-15, 6-19	2220805	2-46	2460032	2-103, 2-107, 2-111
2000221	2-39	2220380	6-15, 6-19	2220810	2-75, 6-15, 6-19	2460039	2-103
2000257	2-57	2220385	6-13, 6-15	2220833	6-7	2460044	2-111
2000258	2-57	2220386	6-8			2460048	2-119, 2-125
2000272	2-58, 2-59					2460049	2-103
2000274	2-40, 2-41						
2000279	2-39						
2000280	2-39						

SECTION 11 PARTS NUMBER INDEX

Part Number	Page	Part Number	Page	Part Number	Page	Part Number	Page
2460050	2-119	2752256	6-7	2752928	6-4, 6-11	2792659	6-22
2460051	2-115	2752322	6-3, 6-7	2752929	6-4, 6-11	2792660	6-22
2460052	2-115	2752331	6-11	2752963	6-3, 6-7	2820031	2-105, 2-108, 2-112, 2-116, 2-120, 2-126
2460055	2-103, 2-107	2752340	6-15, 6-19	2752977	6-11	2820035	2-92, 4-4, 4-8
2460056	2-103, 2-107	2752341	6-4	2752981	6-16, 6-20	2820078	2-99
2460057	2-103	2752345	6-3	2753048	6-16, 6-20, 6-21	2820079	2-99
2560136	4-13	2752389	6-8	2753083	6-17	2820081	2-99
2560144	5-12	2752398	6-7	2753084	10-4	2820119	2-99
2560173	4-9	2752433	6-16	2753325	6-20	2820172	2-58
2580055	2-28, 10-2	2752443	6-8	2753397	6-4, 6-11	2820173	2-58
2600209	2-98	2752462	6-3, 6-7, 6-13	2753435	6-4, 6-11	2840016	2-95
2600211	4-15	2752475	6-4, 6-11	2753924	6-4, 6-11	2860012	2-108, 2-112
2600216	4-3	2752478	6-3, 6-4, 6-7, 6-11	2753925	6-4, 6-11	2860030	2-88, 9-1
2600233	2-98	2752502	6-19	2753926	6-11	2900752	2-64, 2-65, 2-66
2600281	4-7	2752504	6-15, 6-19	2753928	6-11	2900770	2-4, 3-17, 5-3
2600287	4-3	2752514	6-15	2753929	6-4, 6-11	2900788	1-33
2680435	2-98	2752515	6-15, 6-19	2753930	6-11	2900792	5-7, 5-9, 5-11, 5-15
2680437	2-98	2752516	6-15	2753931	6-11	2900826	2-64, 2-65, 2-66
2680443	2-98	2752517	6-16	2753933	6-13	2900827	2-64, 2-65, 2-66
2680448	2-98	2752558	6-3	2753957	6-20	2900937	8-10
2680449	2-98	2752573	6-15	2753967	6-4	2900967	8-4
2680450	2-98	2752574	6-11	2753968	6-19	2900970	8-4
2720058	2-24, 2-27, 2-33, 2-38, 2-43, 2-47, 2-56	2752580	6-16	2753969	6-4	2901271	5-3
2720144	2-78	2752584	6-3, 6-7	2760105	2-87, 4-13	2901284	5-23
2720271	2-27, 2-32	2752587	6-15	2780188	1-4	2901285	5-11
2720341	2-49	2752588	6-16, 6-20	2780205	2-15, 2-17	2901301	5-9, 5-18
2720392	2-53	2752591	6-3, 6-4, 6-7, 6-11	2780261	1-23, 1-27	2901303	5-7, 5-15, 5-18
2720398	2-31, 2-40	2752592	6-3, 6-4, 6-7, 6-11	2780269	1-23, 1-29	2901358	2-32
2720434	2-24, 2-32, 2-40	2752594	6-15	2780271	1-8	2901362	2-47
2720435	2-46, 2-58	2752596	6-16, 6-20	2792176	6-22	2901443	7-15
2720436	2-47, 2-58	2752597	6-16, 6-20	2792179	6-15	2901691	10-3
2720449	2-32, 2-40	2752598	6-16, 6-20	2792179/1282380*	6-22	2901763	2-10
2720472	2-47, 2-56	2752599	6-16, 6-20	2792180	6-15	2901986	3-15
2720509	2-24	2752611	6-4, 6-11	2792180/1282380*	6-22	2902203	10-5
2720510	2-24	2752631	6-15, 6-19	2792181	6-15	2902266	5-5
2720514	2-58	2752632	6-3, 6-4, 6-8, 6-11, 6-15, 6-19	2792181/1282380*	6-22	2902296	2-26, 2-32, 2-38
2720515	2-25	2752633	6-16, 6-20, 6-21	2792184	6-3, 6-22	2902297	2-47, 2-57
2720532	2-56	2752643	6-16, 6-20	2792185	6-22	2902300	10-5
2750532	2-26, 2-32, 2-38, 2-40, 2-45, 2-46, 2-58	2752653	6-15, 6-19	2792186	6-7, 6-22	2902394	10-2
2751013	6-3, 6-7	2752654	6-15, 6-19	2792187	6-22	2902443	7-9
2751015	6-13	2752752	6-15, 6-19	2792204	6-13, 6-22	2910045	8-10
2751016	6-3, 6-7	2752753	6-16, 6-20	2792266	6-23	2910073	10-4
2751020	6-13	2752754	6-16, 6-20	2792315	6-23	2910460	10-3
2751021	6-7	2752762	6-15, 6-19	2792325	6-22	2910463	10-3
2751032	2-15	2752763	6-16, 6-20	2792326	6-22	2910869	4-15
2751095	2-15	2752783	6-16, 6-20	2792327	6-22	2910924	10-3
2751396	6-16, 6-20	2752807	6-3, 6-7	2792603	6-19	2915014	2-87
2751397	6-13	2752810	6-8	2792605	6-22	2915137	10-3
2751410	6-13	2752812	6-3, 6-7	2792607	6-11, 6-22	2915196	2-49
2751427	6-15	2752822	6-13	2792608	6-19	2920110	2-92
2751434	6-13	2752823	6-13	2792608/1283363*	6-22	2920113	2-93
2751474	6-15, 6-19	2752824	6-13	2792612	6-13, 6-22	2920129	4-14, 7-6, 7-9
2751868	6-16, 6-20	2752888	6-7	2792613/1283363*	6-22	2920140	4-4, 4-8, 7-14
2752245	6-3	2752889	6-7	2792614	6-19	2920157	2-93, 4-9
2752249	6-7	2752893	6-8	2792614/1283363*	6-22	2920162	2-104, 2-107, 2-111
		2752898	6-7	2792615	6-22	2940074	4-3, 4-7, 9-1
		2752909	6-7, 6-11	2792616	6-3, 6-22	2940088	2-98
		2752910	6-4, 6-11	2792617	6-22		
		2752918	6-7	2792630	6-23		

SECTION 11 PARTS NUMBER INDEX

Part Number	Page	Part Number	Page	Part Number	Page	Part Number	Page
3010125	1-53	3311405	2-5, 2-25, 2-27, 2-32, 2-39, 2-40,	3421453	1-49	3480210	5-7, 5-15, 5-17
3020016	2-39, 2-57		2-47, 2-56, 2-57,	3421565	1-54, 2-15	3510488	4-3
3020021	2-35, 2-41		2-58, 2-77, 2-99,	3421627	2-15	3510497	4-3
3100076	2-34		2-116, 2-126, 3-	3422326	1-4, 1-8, 1-12, 1-16,	3510542	4-3
3124114	2-50		23, 4-4, 4-8, 4-		1-19, 1-21	3510543	4-3
3160204	1-23, 1-33		13, 5-12, 8-3, 8-	3422332	1-3	3510545	4-3
3160273	2-15, 2-19		8, 10-4	3422333	1-3, 1-11	3510546	4-3
3160299	1-23, 1-35	3311501	2-5, 2-99, 4-27	3422335	1-4	3510565	4-3
3160300	1-23, 1-35	3311505	1-43, 1-45, 2-25, 2-	3422351	1-4	3510566	4-3
3160349	1-23, 1-39		27, 2-32, 2-34,	3422352	1-4	3510728	4-3
3160350	1-23, 1-39		2-38, 2-40, 2-48,	3422417	3-14	3510760	4-3
3200362	2-33, 2-40, 2-46, 2-58		2-50, 2-57, 2-59,	3422424	3-14	3510822	4-7
			2-77, 2-99, 2-	3422446	2-26, 2-31, 2-38, 2-	3510830	4-7
3200378	2-31		119, 2-126, 3-		46, 2-56	3510831	4-7
3200406	2-25, 2-40		24, 4-4, 4-29,	3422530	2-95	3510832	4-7
3220103	2-33, 2-40		10-4	3422532	2-26, 2-33, 2-39, 2-	3510833	4-7
3220104	2-33, 2-40	3311601	2-34, 2-50, 2-77, 2-		48, 2-57	3510868	4-11
3220111	2-34		78, 2-99, 2-126,	3422552	1-49	3520028	2-104, 2-105, 2-
3220113	2-25, 2-33, 2-50		4-15, 4-16	3422553	1-49		107, 2-108, 2-
3220114	2-50	3311605	2-25, 2-32, 2-38, 2-	3422557	3-3, 3-8		111, 2-112, 2-
3220134	2-59		40, 2-43, 2-47,	3422561	3-8		116, 4-13
3250585	4-9		2-56, 2-58, 2-95,	3422562	3-3	3520033	2-98
3250872	1-49, 1-50, 1-53, 8-4		2-98, 2-104, 2-	3422563	3-8	3520035	2-88
3251102	2-105, 2-108, 2-112, 2-116, 4-16		108, 2-112, 3-9,	3422564	3-3, 3-8	3520054	4-13
3251243	2-116, 8-3, 8-7		3-14, 3-23, 4-4,	3422565	3-3	3520072	4-3, 4-7, 4-11
3251813	8-3, 8-7		4-8, 4-11, 4-13	3422566	3-3, 3-8	3520174	4-15
3252220	8-9	3311705	2-104, 2-108, 2-112	3422567	1-8, 1-16, 1-53, 3-3	3520198	4-7
3252347	8-9	3311801	1-23, 2-25, 2-33, 2-	3422568	3-3, 3-8	3534978	2-40
3252489	8-9		38, 2-47, 2-56,	3422569	3-3	3536089	4-4, 4-8
3252507	2-105, 2-108, 8-3, 8-7	3311805	2-25, 2-31, 2-40, 2-	3422574	3-8	3537318	2-15
			47, 2-58, 2-81,	3422580	3-3	3537416	2-31, 2-40
3252540	8-9		2-95, 2-98, 3-4,	3422583	3-8	3537420	2-31
3252764	2-116, 2-119, 2-126		3-9, 3-10, 4-29	3422591	1-3, 1-11	3537445	2-95
3271805	2-83, 4-11	3312002	1-4	3422592	1-7, 1-15	3537446	2-95
3272605	3-4, 3-10, 3-17	3312201	3-14	3422753	1-12, 1-19	3538047	1-3
3290801	2-25	3321501	2-99	3422813	1-53	3538758	3-23
3300007	1-5, 1-23	3322201	2-83	3422841	1-54	3539219	2-87
3300106	1-23	3323002	1-4	3422847	1-54	3539281	2-92
3300151	10-4	3323403	1-4	3422848	1-53	3539563	3-4, 3-9
3300205	2-88	3324203	1-4, 1-8	3422860	3-8	3539590	2-99
3300229	1-4	3340755	3-14	3422861	3-8	3539622	3-15
3300241	3-14	3340757	3-14	3422867	3-8	3539662	1-49, 1-50
3300353	4-15	3340758	3-14	3422900	1-8, 1-16, 1-21	3539685	4-4
3300393	4-3	3340764	3-23	3422902	1-8, 1-12, 1-16, 1-	3539872	2-25, 2-31, 2-40, 2-
3300396	2-121, 2-127	3340844	3-13		19, 1-21		46, 2-58
3300408	2-87	3340871	3-14	3422903	1-8, 1-12, 1-16, 1-	3539877	1-3, 1-7, 1-11, 1-15
3310601	2-95, 2-121, 2-127	3340881	3-14		19, 1-21	3539878	1-3, 1-7, 1-11, 1-15
3310805	2-78, 2-91	3340900	3-15	3422904	1-11	3539934	2-98
3311001	2-99, 4-7, 4-15, 4-17	3340911	1-45	3430816	2-95	3539955	2-100
3311005	2-45, 2-91, 2-93, 2-105, 2-108, 2-112, 2-116, 4-4	3340966	1-53	3450304	4-16	3539957	2-26, 2-31, 2-38, 2-
		3380429	2-26, 2-32, 2-38, 2-	3450404	2-95		46, 2-57
3311401	2-87, 3-4, 4-27		46, 2-57	3450806	3-24	3539971	2-31, 2-40
3311402	3-4, 3-9	3380434	4-4, 4-8, 8-3, 8-8	3451010	1-4, 1-8	3539972	2-45
		3420156	4-16	3451012	1-4	3539979	2-99
		3420372	1-54	3460398	2-59	3570103	2-46
		3420447	1-54	3480176	5-3	3570133	2-48
		3420592	1-49	3480188	5-9, 5-17	3570754	2-33
				3480205	5-23	3571498	2-45
				3480206	5-11	3571692	2-46

SECTION 11 PARTS NUMBER INDEX

Part Number	Page	Part Number	Page	Part Number	Page	Part Number	Page
3572009	1-54	3641533	2-121, 2-127	3910608	2-95	4060959	10-3
3572010	1-54	3641569	4-27	3910610	2-121, 2-127	4061043	2-119, 2-126
3572011	1-54	3730120	7-12	3910804	2-88	4061049	2-120
3572012	1-54	3730121	7-12	3910808	2-78	4061058	1-46
3572280	2-58	3740049	2-88, 7-2, 7-9, 7-14, 9-1	3911008	4-3, 4-7	4070410	2-99
3572414	2-47, 2-56	3740058	7-2	3911040	2-93	4070411	2-99
3572423	2-77	3740063	7-2	3930816	2-91	4070412	2-99
3574091	4-27	3740067	2-25, 2-31, 2-40, 2-46, 2-58, 9-1	3930828	2-91	4070863	3-14
3574122	2-46	3740080	2-104, 2-108, 2-112, 2-116, 2-120, 2-126, 9-1	3931028	2-91	4070864	3-14
3574162	2-48, 2-58	3760170	1-54, 2-15	3931408	2-91	4070878	1-3, 1-11
3574206	2-25	3760367	5-3	3931448	5-23	4070879	1-3, 1-11
3574207	2-25	3760368	5-7, 5-15, 5-17	3931508	5-23	4070895	3-14
3574208	2-25	3760369	5-9, 5-17, 5-23	3931516	5-7, 5-15, 5-17	4070896	3-14
3574225	2-116, 2-126	3760372	5-11	3931620	2-26, 2-31, 2-39, 2-45, 2-57, 5-9, 5-17, 5-23	4070897	3-14
3574229	2-126	3780187	1-4	3931632	2-120	4070929	3-15
3574262	2-126	3790012	2-93, 4-5, 4-8, 4-14, 4-16, 4-17	3931672	4-15	4070939	3-15
3574504	2-58	3790045	1-24	3931720	5-3	4070940	3-15
3574684	2-104	3790110	3-18	3931720	5-3	4070944	1-3, 1-7, 1-12, 1-15
3574696	10-5	3790152	2-26, 2-33, 2-39, 2-45, 2-57	3931840	1-3, 1-7, 1-11, 1-15	4070945	1-3, 1-7, 1-12, 1-15
3575359	4-27	3820001	1-49, 1-50, 2-93, 8-3, 8-8	3932032	5-11	4070975	3-13
3580134	2-104, 2-108, 2-111	3820020	4-7	3932224	2-15	4070976	3-14
3580158	2-107	3841013	3-24	3940604	1-53	4070987	2-88
3580241	3-13	3841143	1-3, 1-4, 1-8, 1-11, 1-12, 1-16, 1-19, 1-21, 1-53, 2-26, 2-31, 2-38, 2-46, 2-56, 3-3, 3-8, 3-14	3950803	5-12	4070994	3-24
3580243	3-13	3841236	1-4	3951608	3-14	4070995	3-24
3580248	3-13	3841258	1-3, 1-7, 1-8, 1-11, 1-15, 1-16, 1-21, 3-3, 3-8	3960343	1-4, 1-8	4070999	3-24
3580249	3-13	3841322	1-50	3960389	2-27, 2-31, 2-39, 2-47, 2-57, 2-98	4071004	3-14
3580250	2-111	3841329	1-50	3960407	2-33, 2-40	4071005	3-15
3580276	2-104, 2-108, 2-111	3841340	3-4, 3-9	3960422	2-119, 2-126	4071007	3-15
3580307	2-111	3841340	3-4, 3-9	3960438	2-98	4071059	1-53
3580312	2-116, 2-126	3841510	1-8, 1-12, 1-16, 1-19, 1-21	3960453	2-98	4100025	2-34
3580313	2-116, 2-126	3860050	3-24	3960461	2-93	4100026	7-8
3580314	2-126	3890005	3-13	3960462	2-98	4100033	3-4, 3-9
3580317	2-120	3890006	3-13	3960464	2-98	4100100	5-15
3580318	2-120	3890007	3-13	3960468	2-25, 2-33, 2-40, 2-48, 2-59	4120013	7-2
3580320	2-120	3890008	3-13	3960469	2-25, 2-33, 2-40, 2-48, 2-59	4120035	7-6, 7-10
3580321	2-120	3890040	4-11	3960470	2-98	4130353	1-4
3580322	2-103	3900054	4-11	3960591	2-58	4130354	1-4
3580324	2-116	3900141	5-15	3990010	7-10, 7-14, 9-1	4130381	1-12, 1-19
3580325	2-116	3900207	4-3	4031911	2-25	4130382	1-12, 1-19
3600242	2-26, 2-31, 2-45, 2-75	3900224	4-15	4032015	2-120	4130394	1-16, 1-21
3600243	2-3	3900230	5-12	4060092	7-13	4130395	1-16, 1-21
3600260	2-26, 2-31, 2-45, 2-64	3900232	2-33, 2-50, 2-99	4060700	2-119, 2-126, 7-13	4130396	1-8
3600365	2-3	3900268	2-88	4060802	2-105, 2-108, 2-112, 2-116, 2-119, 2-126, 4-9, 4-16	4130397	1-8
3600377	2-48, 2-59	3900322	2-116	4060803	3-23, 4-4	4130399	1-16
3600379	2-3	3910606	2-119, 2-126	4060805	2-26, 2-33, 2-40, 2-48, 2-59, 3-15	4130400	1-8
3600381	2-26, 2-31, 2-45, 2-70, 2-72			4060808	1-43	4160139	2-99
3600388	2-26, 2-31, 2-45, 2-70, 2-72			4060870	1-43	4160143	2-99
3600394	2-39, 2-57, 2-72			4060874	1-43	4220162	2-92, 2-93
3600395	2-39, 2-57, 2-75			4060906	2-88	4220165	4-4
3600396	2-39, 2-57, 2-72			4060907	2-92	4220191	2-25
3620033	2-31, 2-40			4060918	2-5	4240018	2-116, 2-120, 6-17, 6-21
3620040	2-46, 2-58					4240032	2-92, 2-93
3620047	2-25					4240033	3-4, 3-9
3640493	7-2					4240099	4-4, 4-8, 4-27
3640986	2-121, 2-127					4240113	2-77
						4240151	10-5
						4280295	2-77
						4300097	1-23

SECTION 11 PARTS NUMBER INDEX

Part Number	Page	Part Number	Page	Part Number	Page	Part Number	Page
4300111	2-126	4460227	4-14, 7-6, 7-10, 7-11, 7-15	4460705	7-14	4520356	1-25
4300157	2-120			4460708	4-15, 7-6, 7-9	4520357	1-25
4340678	4-14	4460233	7-14	4460713	7-11	4564281	2-49, 2-59
4340684	4-14	4460234	2-88, 2-92, 2-93, 4-14, 4-27	4460725	7-11	4564417	2-112
4340738	2-116, 2-126			4460726	7-11	4566468	5-7, 5-9, 5-17
4360031	4-8, 4-13, 4-15	4460267	7-10, 7-13	4460728	7-12	4566471	5-15
4360057	4-27	4460268	2-92, 7-10, 7-11, 7-13	4460742	7-12	4566501	5-11
4360070	2-121, 2-127			4460761	4-14, 7-6, 7-11	4566605	2-45, 2-58
4360188	2-53	4460320	7-10, 7-13, 7-15	4460799	7-12	4566644	5-23
4360232	4-17, 7-14, 7-15, 9-2	4460321	7-14	4460800	7-12	4566971	1-49, 1-50
4360294	2-108, 2-112	4460326	7-10, 7-13	4460865	7-7	4567073	2-25, 2-50
4360322	2-91	4460346	2-119, 2-126, 7-13	4460866	7-6, 7-10	4567428	2-34
4360328	2-88, 4-13, 4-17, 9-1	4460374	2-122, 2-127	4460871	4-14, 4-19, 4-20, 4-23, 4-24, 7-6, 7-10, 7-12, 7-15	4567429	2-34
4360331	4-5, 4-8, 4-13, 4-17, 9-1	4460375	2-122, 2-127, 2-128			4567430	2-34
4360336	2-93, 2-105, 2-108, 2-112, 2-116, 2-119, 2-126, 4-5, 4-8, 4-9, 4-16, 9-1, 9-2	4460411	2-121, 2-127	4460873	7-6, 7-10	4567431	2-34
4360387	4-13, 4-16, 4-27, 9-1	4460412	2-121, 2-127	4460874	2-88, 7-6, 7-9	4567815	2-31, 2-40
4360392	2-25, 2-31, 2-40, 2-46, 2-58, 9-1	4460413	2-121, 2-127	4460875	2-88, 7-6, 7-10	4567879	2-47, 2-58
4360407	4-13, 9-1	4460414	2-121, 2-127	4460876	7-10	4568116	2-77
4360436	2-77	4460415	2-121, 2-127	4460877	7-10	4568119	2-77
4360469	2-88, 9-1	4460418	7-6, 7-10	4460878	7-10	4568133	1-54
4360475	2-88, 4-13, 9-1	4460419	7-6, 7-10	4460879	7-6	4568158	2-48
4360476	2-88, 4-13	4460424	2-92, 7-10, 7-11, 7-13, 7-15	4460880	7-10, 7-11	4568721	2-25
4360542	2-104, 2-107, 2-111, 2-115	4460425	2-121, 2-127, 4-27, 7-15	4460887	7-6, 7-10	4568734	2-116, 2-126
4360549	2-91, 9-1	4460426	2-88, 2-121, 2-127, 4-4, 4-8, 4-17, 7-9, 7-14	4460889	7-11	4568735	2-116, 2-126
4360578	2-91			4460890	7-11	4568788	2-25
4400275	2-78	4460428	2-91, 4-13, 7-6	4460891	7-11	4568951	2-58
4400400	2-77	4460434	7-6, 7-10	4460892	7-9	4569083	2-59
4400407	2-77	4460445	7-10, 7-13	4460894	7-9	4569171	2-40
4400420	2-78	4460445	7-10, 7-13	4460905	4-14, 4-15, 7-6, 7-10	4569173	2-58
4400449	2-77, 2-78	4460457	7-11	4460906	7-14	4569177	2-25
4420037	4-9	4460458	7-11, 7-12	4460943	7-11	4640113	1-24, 1-25
4420038	2-77, 2-78	4460460	7-11	4460944	7-12	4640261	1-49
4420051	1-53	4460464	4-14, 4-15, 7-6, 7-10	4460956	2-121, 2-127	4640281	1-53
4420054	2-91	4460465	2-122, 2-127, 7-7, 7-11	4460957	2-121, 2-127	4640476	5-5
4420068	4-27, 4-29	4460466	7-7	4460958	2-119, 2-126	4640509	5-7, 5-9, 5-11, 5-15
4460007	4-15	4460467	7-15, 10-6	4460961	7-14	4640744	2-75, 6-15, 6-19
4460023	2-104, 2-108, 2-112	4460470	2-88, 4-13, 7-6, 7-9	4460963	2-121, 2-127	4640750	2-25
4460027	2-104, 2-107, 2-111, 2-116, 7-14	4460471	2-88, 4-13, 7-6, 7-9	4460967	2-122, 2-127	4640751	2-31, 2-40
4460049	4-27	4460473	7-7	4460968	2-91	4640799	5-11
4460051	2-120, 2-126	4460488	2-88, 4-14	4460978	7-12	4640858	5-3
4460071	2-120, 2-126, 4-8, 4-14, 4-15, 7-6, 7-14	4460499	2-10, 2-13, 7-13	4460979	7-12	4640871	1-3, 1-11
4460125	7-13	4460508	7-6	4461001	2-121, 2-127	4640902	5-15
4460134	7-8, 7-14	4460509	7-7	4461005	7-12, 7-13	4640906	2-4
4460190	2-104, 2-107, 2-111, 2-116	4460510	7-15, 10-6	4461006	7-12, 7-13	4640907	2-4
4460205	7-8, 7-14	4460526	2-88, 7-9	4461008	7-13	4640908	2-3
4460225	7-6	4460536	7-11	4461052	7-12, 7-13	4640921	2-4, 2-13
4460226	4-14, 4-15, 7-6, 7-9, 7-11, 7-14, 7-15	4460539	7-12	4461053	7-12, 7-13	4640922	2-4, 2-13
		4460579	7-11	4461054	7-12, 7-13	4640923	1-43
		4460580	7-11	4461060	7-12, 7-13	4640931	2-4, 2-6
		4460582	7-11	4461070	7-12	4640932	5-7, 5-9
		4460598	4-4, 4-8, 4-17, 7-14	4461071	7-9	4640937	1-43
		4460607	2-121, 2-127, 7-2	4461072	7-9	4640939	6-13
		4460611	2-32, 2-47	4461073	7-9	4640989	2-45, 2-59
		4460634	7-10	4461074	7-9	4641022	2-77, 2-78
		4460635	7-10	4461095	7-12	4641028	5-23
		4460701	7-14	4520258	1-24, 1-25	4641096	2-3, 2-9
				4520339	1-25	4641108	2-4, 2-6
				4520340	1-25	4641162	5-3
				4520355	1-25	4641280	1-45, 1-46

SECTION 11 PARTS NUMBER INDEX

Part Number	Page	Part Number	Page	Part Number	Page	Part Number	Page
4641284	6-11	4751000	1-54, 2-45, 2-93, 2-98, 2-105, 2-108, 2-112, 2-116, 4-4, 4-7	4844928	4-3	4891600	2-26, 2-32, 2-45, 2-57, 2-95, 2-116, 2-126, 3-4, 3-10, 3-15
4641287	1-45	4751400	2-25, 2-27, 2-32, 2-39, 2-41, 2-47, 2-56, 2-57, 2-59, 2-88, 2-91, 2-99, 2-120, 3-3, 3-9, 4-5, 4-8, 4-14, 4-27, 5-12, 8-3, 8-8	4844944	3-3, 3-8	4891800	1-7, 1-15, 1-23, 1-24, 2-5, 2-15, 2-39, 2-95, 3-4, 3-10, 3-15, 4-29
4641307	6-4	4751500	1-43, 2-27, 2-45, 2-59, 2-98, 2-100, 2-105, 2-108, 2-112, 4-4, 4-27, 4-29	4844954	4-3	4892000	1-23, 1-24, 2-15, 2-99, 2-116
4641319	5-5	4751600	1-43, 1-45, 1-46, 2-25, 2-32, 2-33, 2-38, 2-41, 2-43, 2-47, 2-50, 2-56, 2-59, 2-77, 2-78, 2-81, 2-83, 2-98, 2-104, 2-108, 2-112, 2-116, 2-126, 3-15, 4-5, 4-8, 4-13	4844956	4-3	4892600	3-4, 3-10
4641409	1-45	4751700	2-41	4845281	1-49	4920018	4-4
4641410	1-45, 1-46	4751800	1-3, 2-25, 2-33, 2-38, 2-47, 2-56, 2-81, 2-83, 2-116, 2-126, 3-4, 3-9, 3-23, 4-11	4845282	1-49	4920385	2-58
4711400	1-3, 1-11, 2-5, 2-33, 2-39, 2-48, 2-59, 2-92, 2-116, 2-120, 2-126, 3-23, 4-4, 4-8, 10-4	4751900	2-104	4845283	1-49	4921801	7-14
4711500	1-45, 1-49, 1-50, 2-5, 2-25, 2-34, 2-50, 2-77, 2-119, 2-126, 3-24, 4-16, 10-4	4752000	2-26, 2-33, 2-38, 2-48, 2-56	4845286	1-49	4921827	7-14
4711600	1-3, 1-11, 1-12, 1-49, 2-4, 2-26, 2-33, 2-41, 2-59, 2-120, 3-4, 3-9, 3-14, 3-23	4760600	2-121, 2-127	4845327	4-3	4921927	2-5, 7-13
4711700	2-41, 2-116, 2-126	4761000	1-4, 1-8, 2-99, 4-4, 4-7, 4-17	4845328	4-3	4921928	2-5, 7-13
4711800	1-11, 2-95, 2-120, 2-126, 3-4, 3-9, 3-23, 4-11	4761400	2-88	4845356	2-99	4921954	7-14
4711900	2-33, 2-41	4761500	2-45, 2-119, 2-126	4845393	2-77, 2-78	4922466	7-7
4712600	1-49, 3-23	4761600	1-50, 2-126	4845395	2-32, 2-41	4922467	7-7
4713000	1-49	4770600	2-95	4845404	2-31, 2-41, 2-46, 2-59	4922468	7-7
4713400	1-49	4771800	2-48	4845408	4-3	4922482	7-14
4740036	1-54	4791400	2-33, 2-41, 2-120, 2-126	4845409	4-3	4922498	7-15
4740067	1-4	4811900	2-25, 2-121	4845410	4-3	4922509	7-2
4740076	2-99	4812000	2-59, 2-112	4845411	2-99	4922513	7-10
4740111	1-4, 1-8, 1-12, 1-16, 1-19, 1-21, 1-53	4831900	2-34, 2-35, 2-41, 2-48, 2-58	4845412	4-3	4922514	7-10, 7-11
4740155	1-53	4832000	2-25, 2-35, 2-41, 2-47, 2-59	4845413	4-3	4922515	7-10, 7-11
4740158	1-3, 1-7, 1-11, 1-12, 1-15, 3-4, 3-9	4844777	1-3	4845426	4-3	4922636	7-9
4740171	2-98	4844790	3-3, 3-8	4845469	4-3	4922637	7-9
4740256	1-4, 1-8, 1-12, 1-16, 1-19, 1-21	4844815	3-8	4845467	2-50	4922639	4-14, 7-6
4740263	1-8	4844816	3-8	4845667	2-50	4922641	2-122, 2-128, 7-14
4740274	2-25, 2-31, 2-41, 2-47, 2-59	4844817	3-8	4845671	3-23	4922643	7-2, 7-14
4740283	1-4, 1-8	4844924	4-3	4845677	3-23	4922648	7-10
4740314	3-4, 3-9	4844925	4-3	4845799	2-33	4922666	2-88, 4-14, 7-6, 7-11
4740362	2-93, 4-5, 4-8, 4-14			4845819	3-23	4922737	2-25, 2-26
4740393	1-24			4846011	2-46	4922757	2-122
4740397	2-105, 2-108, 2-112, 2-116, 4-16			4846046	2-46	4922764	7-15
4740439	3-9			4846101	4-3	4922790	7-7
4740444	2-88			4846102	4-3	4922791	7-7
4740463	1-4, 1-12, 1-16, 1-19, 1-21			4846103	4-3	4922792	7-7
4740546	2-93			4846253	4-3	4922847	7-3
4750600	2-121, 2-127			4846254	4-3	4922863	7-3
4750800	2-78			4846255	4-3	4922884	7-7
				4846288	1-11, 1-12	4922887	7-7
				4846295	1-54	4922888	4-9, 7-7, 7-15
				4846296	1-54	4922889	7-7
				4846319	3-13	4922905	2-127
				4846391	3-23	4922921	7-10, 7-11
				4846392	3-23	4922925	2-120, 2-127
				4846452	4-7	4922964	7-15
				4846561	4-9	4922970	7-14
				4846566	2-31, 2-41	4922978	2-38
				4846573	3-4, 3-10	4923045	10-5
				4846673	4-7, 4-27	4923206	7-10
				4846790	2-25	4923212	7-10, 7-11
				4846805	2-25	4923213	7-10
				4846806	2-45, 2-59	4923226	7-10, 7-11
				4846814	1-7, 1-15	4923227	7-10, 7-11
				4846817	2-50	4923229	7-10
				4846934	1-15		
				4846935	1-53		
				4860148	1-24		
				4860243	1-25		
				4891400	2-5		
				4891500	2-5, 2-116		

SECTION 11 PARTS NUMBER INDEX

Part Number	Page	Part Number	Page	Part Number	Page	Part Number	Page
4932986	7-2	70001249	2-84	70002727	4-23, 4-24	7003946	4-23
4932990/1282828	7-2	70001384	2-119, 2-125	70002728	4-23	7003953	4-19
4932993/1282828	7-2	70001385	2-119, 2-125	70002729	4-24	7003969	4-23
4933025/1282937	7-2	70001423	2-35	70002730	4-19	7003972	4-24
4933026/1282937	7-2	70001435	2-42	70002731	4-19	7003973	4-24
4933215	7-2, 7-14	70001498	2-34, 2-42	70002732	4-19	7003976	4-19
4933216	7-2, 7-14	70001681	2-35	70002733	4-19	7003977	4-19
4933217	7-2	70001690	2-60	70002734	4-20	7003980	4-24
4933218	7-2	70001696	2-120, 2-126	70002735	4-20	7003982	4-24
4933219	7-2	70001697	3-18, 3-21	7000281	1-30	7003983	4-24
4933221	7-3, 7-9, 7-11	70001742	2-28	70002841	2-28	7003986	4-23
4933222	7-3, 7-9, 7-11	70001850	2-41	70002906	4-20	7003989	4-24
4933263	7-2	70001953	2-119, 2-125	70003001	2-43	7003992	4-19, 4-23
4933264	2-122	70001966	2-119, 2-125	70003002	2-43	7003993	4-19, 4-23
4933274	7-3	70001969	2-119	70003003	2-43	7003994	4-23
4933283	2-127	70001970	2-119	70003356	2-34	7004035	2-19
4933291	7-3, 7-9, 7-11	70001971	2-119	70003408	1-46	7004043	2-19
4933300	7-2, 7-14	70001972	2-120	70003476	2-35, 2-42	7004044	2-19
4933307	7-2	70001973	2-120, 2-126	70003483	4-8, 4-15	7004248	2-3
4933313	7-2, 7-15	70001974	2-120, 2-126	70003631	2-119, 2-125	7004275	10-6
4933318	7-3, 7-9, 7-11	70001976	2-9, 2-13	70003784	4-13	7004276	10-6
4933327	7-3, 7-9, 7-11	70002063	1-45, 1-46	70004169	2-119, 2-120, 2-125, 2-126	7004290	2-3
4933328	7-9, 7-11	70002064	1-46	70004170	2-119, 2-120	7005881	2-19, 2-20
70000045	2-41	70002088	2-119, 2-125	70004171	2-119, 2-125	7005882	2-19, 2-20
70000122	2-103	7000209	2-17	70004182	2-25	7005889	2-19
70000123	2-103, 2-107, 2-111, 2-115	7000214	2-17	7000625	4-8, 4-15	7005890	2-19
70000124	2-104, 2-107, 2-111, 2-116	7000216	1-29	7000663	2-34, 2-42	7005891	2-19
70000125	2-104, 2-107, 2-111, 2-116	7000217	2-17	7000731	1-23	7005892	2-19
70000126	2-104, 2-107, 2-111, 2-115	70002200	2-35, 2-42	7000897	2-48, 2-59	7005893	2-19
70000127	2-104, 2-107, 2-115	70002208	2-19	7001433	2-72	7006138	3-23, 9-1
70000264	2-42, 2-43	70002234	2-34, 2-42	7001438	2-65	7007207	2-71
70000342	3-21	70002235	2-103, 2-107, 2-111	7001498	2-65, 2-72	7007208	2-64, 2-65, 2-71
70000579	2-9	70002239	2-103	7001625	5-21	7007412	2-66, 2-72
70000580	2-9	70002240	2-104	7001626	5-21	7007413	2-64, 2-70
70000582	2-9	70002243	2-19	7001627	5-21	7007414	2-64, 2-70
70000583	2-9	70002255	2-120, 2-126	7001629	5-21	7007416	2-64
70000781	1-46	7000228	2-17	7001630	5-21	7007417	2-64, 2-70
70000782	1-30	7000229	2-17	7001633	5-21	7007418	2-70
70000794	1-39	70002290	2-119, 2-126	7001711	1-27	7007419	2-64, 2-70
70000795	1-39	70002297	2-119, 2-125	7001909	2-17	7007420	2-64
70000800	2-42	7000230	2-17	7001911	2-17	7007421	2-64
70000863	2-119, 2-125	70002307	2-49, 2-60	7001913	1-29	7007423	2-64, 2-70
70000916	2-42	70002411	2-35	7001928	2-17	7007424	2-64
70000917	2-42	7000246	2-17	7001931	2-17	7007425	2-64, 2-70
70000918	2-42	70002460	2-119, 2-126	7001985	2-17	7007435	1-35, 2-64, 2-70
70000919	2-42	7000253	2-17	7001987	2-17	7007436	2-64
70000934	2-4	70002530	2-35	7001988	2-17	7007437	1-36, 1-39, 2-64, 2-70
70001002	2-34	7000255	2-17	7002821	7-15, 10-6	7007438	1-35, 1-39, 2-64, 2-70
70001017	2-25, 2-33, 2-40, 2-50	7000256	2-17	7002822	10-6	7007439	1-35, 1-39, 2-64, 2-70
70001100	2-119, 2-125	70002567	2-50, 2-60	7002823	7-15, 10-6	7007440	2-64
70001119	1-29	7000257	2-17	7002826	10-6	7007441	2-64, 2-70
70001120	2-27	7000258	2-17	7002828	7-15	7007442	2-64, 2-70
70001248	2-83, 2-84	7000263	2-17	7002840	1-3, 1-11, 10-6	7007444	2-64, 2-70
		7000269	2-17	7003657	2-103, 2-107, 2-111	7007445	2-64, 2-70
		7000270	2-17	7003928	4-19	7007446	1-35, 1-39, 2-70
		70002724	4-23	7003933	4-23	7007449	2-64
		70002725	4-23	7003935	4-23		
		70002726	4-23	7003941	4-23		

SECTION 11 PARTS NUMBER INDEX

Part Number	Page	Part Number	Page	Part Number	Page	Part Number	Page
7007452	2-71	7011063	2-3	7012953	2-6, 2-9, 2-13, 5-15	7016313	2-5, 9-1
7007453	2-64, 2-71	7011064	2-3	7012954	2-6	7016314	2-77
7007454	2-65, 2-71	7011065	2-3	7012961	2-6, 5-15	7016322	2-95
7007456	2-65	7011066	2-3	7012965	2-13	7016328	2-34, 2-41, 9-1
7007457	2-71	7011067	2-3	7012967	2-9	7016331	2-34, 2-41, 9-1
7007458	2-65	7011112	5-7, 5-9	7012971	2-6	7016342	2-81
7007463	2-65, 2-71	7011328	2-4	7012972	2-4	7016374	2-95
7007464	2-71	7011331	3-17	7012974	2-4	7016376	2-46
7007465	2-71	7011332	3-18	7012975	2-6	7016380	2-92
7007466	2-65, 2-71	7011346	3-18	7012976	2-6	7016399	4-4, 4-8
7007468	2-65	7012180	2-49, 2-59	7012977	2-6	7016422	2-19
7007469	2-65	7012513	2-103, 2-107, 2-111, 2-115	7012978	1-43	7016423	2-19
7007470	2-65, 2-70	7012514	2-103, 2-107, 2-111, 2-115	7012980	1-43	7016424	2-19, 2-20
7007471	2-65	7012518	2-6, 2-9	7012987	2-75	7016425	2-19
7007472	2-65, 2-71	7012540	2-6	7012988	2-75	7016426	2-19
7007473	2-65	7012558	2-103, 2-107, 2-111, 2-115	7012989	2-9	7016427	2-20
7007474	2-65, 2-71	7012595	2-49	7012993	1-43	7016530	3-23, 9-1
7007475	2-65, 2-72	7012664	2-24, 2-31, 2-40, 2-47, 2-58, 9-1	7012994	1-43	7016652	10-6
7007476	2-65, 2-72	7012679	2-59	7012995	2-6	7016654	10-6
7007477	2-65, 2-72	7012693	1-3, 1-11	7012998	2-4, 2-9, 2-10, 2-13	7016655	10-6
7007478	2-65, 2-72	7012700	1-33	7013187	2-81	7016662	2-49
7007482	2-65	7012701	1-33	7013189	2-83	7016700	2-3
7007483	2-65	7012702	1-33	7013711	2-3	7016701	2-3
7007484	2-65, 2-71	7012703	1-33	7013755	2-3	7016702	2-3
7007485	2-65, 2-71	7012704	1-33	7013796	2-3	7016744	2-3
7007486	2-65	7012705	1-33	7013799	2-3	7016800	2-32, 2-47
7007487	2-65, 2-71	7012706	1-33	7014501	2-49, 2-59, 9-1	7016802	2-32
7007488	2-65, 2-71	7012707	1-33	7014700	1-27	7016803	2-32
7007489	2-75	7012708	1-33	7014701	1-27	7016804	2-47
7007490	2-65	7012709	1-33	7014703	1-27	7016807	2-47
7007491	2-65	7012710	1-33	7014704	1-27	7016808	2-47
7007492	2-65	7012711	1-33	7014705	1-27	7016812	2-32
7007494	2-65, 2-71	7012712	1-33	7014707	1-27	7016824	2-32
7007496	2-65, 2-71	7012713	1-33	7014708	1-27	7017022	1-30
7007497	2-65, 2-71, 7-12	7012714	1-33	7014709	1-27	7017027	1-29
7007498	2-65, 2-71, 7-12	7012715	1-33	7014710	1-27	7017070	2-17
7007499	2-65	7012716	1-33	7014711	1-27	7017072	1-29
7007633	2-17	7012766	2-9	7014712	1-27	7017089	2-17
7007933	2-15	7012768	2-9, 9-1	7014717	1-27	7017093	1-29
7007990	2-15	7012769	2-9	7014718	1-27	7017095	1-29
7010103	2-75	7012770	2-9, 2-13	7014719	1-27	7017101	3-17
7010104	2-75	7012772	2-4, 2-9, 2-10, 2-13, 9-1	7014720	1-27	7017115	3-17
7010105	2-75	7012773	2-4, 2-9, 2-10, 2-13	7014721	1-27	7017116	3-17
7010116	2-70, 2-71, 2-72	7012774	2-4, 2-10, 2-13	7014722	1-27	7017117	3-17
7010120	2-65	7012775	2-9, 2-10	7014723	1-27	7017118	3-18
7010121	2-65, 2-71	7012776	2-13	7014724	1-27	7017119	3-17
7010122	2-65, 2-71	7012777	2-13	7014725	1-27	7017142	3-17, 3-18
7010474	2-17	7012907	2-4	7014726	1-27	7017156	3-18
7010488	2-17	7012912	2-9, 2-10	7014729	1-27	7017157	3-18
7010492	2-17	7012914	2-9	7014730	1-27	7017158	3-18, 3-21
7010494	2-17	7012918	2-6, 2-9	7014731	1-27	7017159	3-18, 3-21
7010542	2-9, 2-10	7012941	2-4, 2-6	7014732	1-27	7017162	3-17, 3-21
7010543	2-6, 2-9, 2-10	7012943	2-6	7014733	1-27	7017163	3-17, 3-21
7010545	5-11	7012944	2-4, 2-6, 2-9, 9-1	7014734	1-27	7017164	3-17, 3-21
7010699	2-104, 2-107, 2-111, 2-116			7014735	1-27	7017174	3-17
7011043	2-3			7014736	1-27	7017183	3-17, 3-21
7011044	2-3			7014737	1-27	7017193	3-17, 3-21
7011062	2-3			7016180	2-46	7017195	3-21
				7016312	2-4	7017406	1-46

SECTION 11 PARTS NUMBER INDEX

Part Number	Page	Part Number	Page	Part Number	Page	Part Number	Page
7017410	2-9	7019996	2-49, 2-59	7021221	2-71	7022370	1-35
7017420	2-4, 2-13	7020020	2-4, 9-1	7021222	2-71	7022371	1-36, 1-39
7017421	2-13	7020021	2-5	7021223	2-70	7022372	1-35, 1-39
7017422	2-13	7020108	2-103, 2-107, 2-111, 2-115	7021232	2-70, 2-71, 2-72	7022397	1-45, 1-46
7017442	1-43			7021249	1-35, 1-39	7022399	1-45, 1-46
7017464	2-9	7020109	2-103, 2-107, 2-111, 2-115	7021256	2-70	7022808	4-19
7018612	1-23, 2-15			7021275	1-35, 1-39	7022812	4-23, 4-24
7018912	2-4, 2-9, 2-10, 2-13	7020110	2-103, 2-107, 2-111, 2-115	7021310	2-10	7022814	4-19
7018942	2-13			7021625	1-45, 1-46	7022815	4-19
7018945	2-13	7020111	2-103, 2-107, 2-111, 2-115	7021868	2-49, 2-59	7022816	4-19
7018946	2-13			7022133	2-48, 2-59	7022817	4-19
7018947	2-13	7020120	2-49	7022134	2-48, 2-59	7022818	4-19
7018948	2-13	7020168	2-34	7022135	2-48, 2-59, 9-1	7022819	4-19, 4-20, 7-12
7019103	4-23	7020175	4-13	7022137	2-49	7022822	4-23
7019110	4-23	7020176	4-13	7022139	2-49, 2-59	7022823	4-23
7019111	4-19, 4-23	7020190	2-103, 2-107, 2-111, 2-115	7022140	2-49, 2-59	7022824	4-23
7019112	4-23			7022141	2-49	7022825	4-23, 4-24, 7-12
7019114	4-23	7020191	2-104, 2-107, 2-111	7022143	2-49, 2-60	7023366	2-98
7019115	4-23	7020192	2-104, 2-107, 2-111, 2-116	7022144	2-50	7023603	2-53
7019122	4-19			7022146	2-49	7023613	2-49
7019123	4-19	7020193	2-103, 2-107, 2-111, 2-115	7022147	2-49, 2-59	7023637	2-49
7019141	4-19			7022148	2-50	7023644	2-50
7019142	4-19	7020246	2-87	7022149	2-50	7023652	2-49
7019143	4-19	7020408	2-34, 2-42	7022150	2-50, 2-60	7023653	2-49
7019144	4-19	7020410	2-34, 2-42	7022151	2-50	7023654	2-49
7019145	4-19	7020411	2-34, 2-42	7022152	2-50	7023655	2-49
7019147	4-19	7020431	2-35	7022153	2-50	7023656	2-49
7019149	4-19	7020447	2-41	7022154	2-50	7023657	2-50
7019150	4-19	7020449	2-35, 2-42	7022155	2-50, 2-60	7023658	2-49
7019151	4-23	7020458	2-34, 2-42	7022156	2-50	7023661	2-49, 2-59
7019154	4-23	7020459	2-35, 2-42	7022157	2-49	7023662	2-49
7019155	4-23	7020460	2-35, 2-42	7022158	2-49	7023663	2-49
7019160	4-23	7020461	2-34, 2-42	7022159	2-49	7023664	2-49
7019161	4-23	7020462	2-34	7022160	2-49	7023679	2-53, 7-13
7019162	4-23	7020463	2-34	7022161	2-49	7023680	2-53
7019164	4-24	7020464	2-34, 2-42	7022162	2-49	7023681	2-49, 2-59
7019165	4-24	7020465	2-34, 2-41	7022163	2-49	7023682	2-49, 2-59
7019166	4-24	7020468	2-34, 2-41	7022165	2-53	7023683	2-49, 2-59
7019167	4-24	7020471	2-35, 2-42	7022166	2-53	7023684	2-49
7019168	4-23	7020474	2-34	7022167	2-53	7023686	2-49
7019171	4-19	7020479	2-34, 2-42	7022168	2-53	7023695	2-49
7019174	4-19	7020480	2-34	7022169	2-53	7023698	2-60
7019177	4-19	7020481	2-34	7022170	2-53	7023699	2-60
7019194	4-24	7020484	2-41	7022171	2-53	7023910	1-35, 1-39
7019196	4-24	7020487	2-34, 2-41	7022173	2-49, 2-59	7023917	1-46
7019197	4-19	7020488	2-35	7022178	2-49	7023933	1-45, 1-46
7019656	2-46	7021200	2-70	7022179	2-49	7023935	1-45, 1-46
7019680	2-103, 2-107, 2-115	7021201	2-72	7022203	2-3	7023936	1-45, 1-46
7019925	2-49, 2-60	7021202	2-70	7022302	1-35, 1-39	7023977	2-71
7019926	2-47	7021203	2-70	7022311	1-35, 1-39	7023979	2-71
7019927	2-46	7021206	2-72	7022313	1-39	7024014	2-4, 2-10
7019930	2-49	7021207	2-71	7022314	1-35, 1-39	7024015	2-9, 2-10
7019932	2-49	7021210	2-71	7022318	1-35	7024100	2-17
7019976	2-49, 2-59	7021212	2-71	7022320	1-35	7024124	1-29
7019977	2-48, 2-59	7021214	2-65, 2-71	7022321	1-35	7024125	1-29
7019979	2-50	7021217	2-72	7022326	1-36, 1-39	7024127	1-29
7019986	2-48	7021218	2-71	7022328	1-35, 1-36, 1-39, 1-40	7024129	1-29
7019993	2-49, 2-59	7021219	2-71			7024134	1-30
7019994	2-49, 2-60	7021220	2-71	7022368	1-35, 1-39	7024318	2-34

SECTION 11 PARTS NUMBER INDEX

Part Number	Page	Part Number	Page	Part Number	Page	Part Number	Page
7024379	2-19	7024861	1-35	7026822	2-27	7027740	1-39
7024380	2-19	7024862	1-35, 1-39	7026823	2-27	7027790	2-42
7024381	2-19	7024863	1-35	7026824	2-28	7027791	2-42
7024389	2-19, 2-20	7024864	1-35	7026825	2-28	7027792	2-42
7024390	2-20	7024865	1-35, 1-39	7026826	2-28	7027793	2-42, 7-13
7024395	2-19	7024866	1-35	7026827	2-28	7027794	7-13
7024398	2-33, 2-40	7024867	1-35, 1-39	7026828	2-28	7027795	2-42
7024404	2-84	7024868	1-35	7026829	2-28	7027796	7-13
7024413	2-34	7024869	1-35	7026830	2-28, 9-1	7027799	2-119, 2-126
7024439	2-78	7024871	1-36, 1-39	7026831	2-28	7027887	2-104, 2-111, 2-116
7024440	2-78	7024874	2-70	7026832	2-28	8093461	2-84
7024441	2-78	7024875	2-71	7026833	2-28	83304150	2-19
7024442	2-78	7024877	2-71	7026834	2-28	8405009	2-24
7024443	2-78	7024879	5-5	7026835	2-28	8405104	2-24
7024444	2-78, 9-1	7024892	1-45, 1-46	7026836	2-28	8896941	10-6
7024445	2-78	7025124	2-50	7026838	2-28	91083218	2-48, 2-59, 9-1
7024446	2-78	7026188	2-120, 2-126	7026839	2-28		
7024453	2-19	7026189	2-83, 2-84	7026840	2-28		
7024484	2-119, 2-125	7026197	2-84	7026841	2-28		
7024485	2-120, 2-126	7026199	2-103, 2-107, 2-111, 2-115	7026842	2-28		
7024486	2-120, 2-126			7026843	2-28		
7024487	2-121, 2-125	7026503	2-83	7026844	2-28		
7024488	2-121, 2-125	7026504	2-83	7026845	2-28		
7024489	2-121, 2-125	7026505	2-84	7026882	2-28		
7024560	2-33, 2-40	7026506	2-84	7026887	2-28		
7024561	2-119, 2-125	7026507	2-84	7027000	2-26, 2-32, 2-38		
7024565	2-34, 2-42	7026508	2-84	7027001	2-26, 2-32, 2-38		
7024579	2-34, 2-42, 2-43	7026509	2-84	7027002	2-26, 2-32, 2-38, 2-47, 2-57		
7024598	2-95	7026510	2-84	7027003	2-26, 2-32, 2-38, 2-47, 2-57		
7024721	1-30	7026511	2-83	7027004	2-26, 2-32, 2-38		
7024722	1-29	7026512	2-83, 2-84	7027005	2-47, 2-57		
7024723	1-30	7026522	2-34	7027006	2-47, 2-57		
7024724	1-29	7026597	2-120, 2-126	7027007	2-47, 2-57		
7024725	1-29	7026607	2-34	7027236	2-42		
7024726	1-29	7026608	2-34, 2-42	7027238	2-42		
7024727	1-29	7026626	2-120, 2-126	7027239	2-42		
7024728	1-29	7026631	2-34, 2-41	7027241	2-42		
7024729	1-29	7026800	2-27	7027245	2-42		
7024730	1-29	7026801	2-27	7027246	2-41		
7024731	1-29	7026802	2-27	7027276	2-34, 2-42		
7024732	1-29	7026803	2-27	7027400	2-59		
7024733	1-29	7026804	2-27	7027401	2-60		
7024734	1-29	7026805	2-27	7027402	2-50, 2-60		
7024735	1-29	7026806	2-27	7027403	2-59		
7024736	1-29	7026807	2-27	7027404	2-59		
7024737	1-30	7026808	2-27	7027405	2-60		
7024738	1-29	7026809	2-27	7027406	2-60		
7024739	1-29	7026810	2-27	7027407	2-59		
7024740	1-29	7026811	2-27, 9-1	7027408	2-59		
7024742	1-29	7026812	2-27	7027409	2-60		
7024743	1-30	7026813	2-27	7027410	2-60		
7024744	1-29, 1-30	7026814	2-28	7027412	2-25		
7024764	1-30	7026815	2-28	7027413	2-59		
7024765	1-30	7026816	2-27	7027419	1-35, 1-39		
7024766	1-30	7026817	2-27	7027608	2-41		
7024800	2-72	7026818	2-27	7027609	2-41		
7024850	1-45, 1-46	7026819	2-27	7027610	2-41		
7024851	2-71	7026820	2-27				
7024853	1-35, 1-39	7026821	2-27				

+



3121178



An Oshkosh Corporation Company

Corporate Office
JLG Industries, Inc.
1 JLG Drive
McConnellsburg PA. 17233-9533
USA

☎ (717) 485-5161

📠 (717) 485-6417

JLG Worldwide Locations

JLG Industries (Australia)
P.O. Box 5119
11 Bolwarra Road
Port Macquarie
N.S.W. 2444
Australia

☎ +61 2 65 811111

📠 +61 2 65 813058

JLG Latino Americana Ltda.
Rua Eng. Carlos Stevenson,
80-Suite 71
13092-310 Campinas-SP
Brazil

☎ +55 19 3295 0407

📠 +55 19 3295 1025

JLG Industries (UK) Ltd
Bentley House
Bentley Avenue
Middleton
Greater Manchester
M24 2GP - England

☎ +44 (0)161 654 1000

📠 +44 (0)161 654 1001

JLG France SAS
Z.I. de Baulieu
47400 Fauillet
France

☎ +33 (0)5 53 88 31 70

📠 +33 (0)5 53 88 31 79

JLG Deutschland GmbH
Max-Planck-Str. 21
D - 27721 Ritterhude - Ihlpohl
Germany

☎ +49 (0)421 69 350 20

📠 +49 (0)421 69 350 45

JLG Equipment Services Ltd.
Rm 1107 Landmark North
39 Lung Sum Avenue
Sheung Shui N. T.
Hong Kong

☎ (852) 2639 5783

📠 (852) 2639 5797

JLG Industries (Italia) s.r.l.
Via Po. 22
20010 Pregnana Milanese - MI
Italy

☎ +39 029 359 5210

📠 +39 029 359 5845

Oshkosh-JLG Singapore
Technology Equipment Pte Ltd
29 Tuas Ave 4,
Jurong Industrial Estate
Singapore, 639379

☎ +65-6591 9030

📠 +65-6591 9031

Plataformas Elevadoras
JLG Iberica, S.L.
Trapadella, 2
P.I. Castellbisbal Sur
08755 Castellbisbal, Barcelona
Spain

☎ +34 93 772 4700

📠 +34 93 771 1762

JLG Sverige AB
Enkopingsvagen 150
Box 704
SE - 176 27 Jarfalla
Sweden

☎ +46 (0)850 659 500

📠 +46 (0)850 659 534

www.jlg.com